

Modicon M580 automation platform

Catalog
January 2018



Quick access to Product information

Select your Catalog, your Training

Digi-Cat

The complete digital catalog for industrial automation



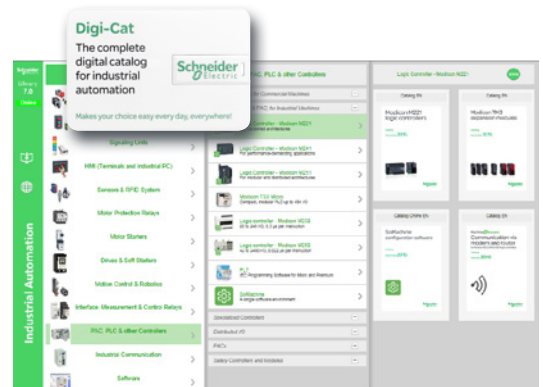
Makes your choice easy every day, everywhere!



With just 3 clicks, you can reach the 7,000 pages of the Industrial Automation & Control catalog, in both English and French.

- Digi-Cat is available on a USB key (for PC). To get your Digi-Cat, please contact your local center
- Download Digi-Cat from this address:

<http://digi-cat.schneider-electric.com/download.html>

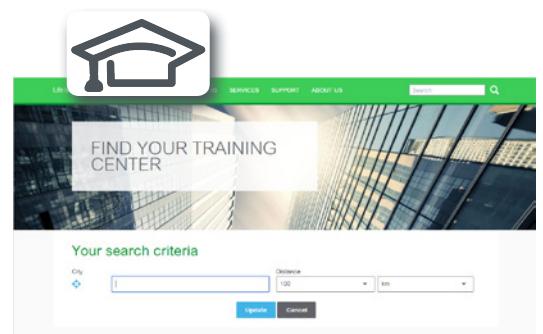
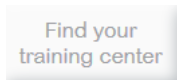


Find your training

- Find the right training for your needs
- Locate the training center with the selector tool, using this address:

<http://www.schneider-electric.com/b2b/en/services/training/technical-training.jsp>

then click on



Life Is On



General contents

Presentation	1
I/O architectures	2
Communication	3
Ruggedized Modicon M580 modules . .	4
Standards and certifications	5
Services	6
Technical information, index	7

In this catalog, each time words which refer to Safety without precision, must be understood according to "Functional Safety": IEC61508 & IEC61511.

1 - Presentation, processor modules, M580 backplanes and multi-rack configuration



Presentation

- General presentation..... page 1/2
- Composition page 1/10
- Compatibility..... page 1/18

Processor modules

Selection guide page 1/22

- Presentation..... page 1/26
- Description..... page 1/27
- Memory structure
 - Memory cards..... page 1/29
 - Protecting the application page 1/29
 - Modifying the program in online mode page 1/29
- References page 1/30

M580 backplanes

- Presentation, description page 1/32
- References page 1/34

Multi-rack configuration

- Presentation..... page 1/35
- Description..... page 1/37
- References page 1/38

M580 Safety Standalone

Selection guide page 1/40

- Compatibility..... page 1/41
- Presentation..... page 1/42
- Description, references..... page 1/43

1

Modicon M580 ePAC Control at the heart of EcoStruxure Plant


Modicon M580 combines Unity PAC's existing features with innovative technologies to deliver Schneider Electric's complete Ethernet-based PAC

Modicon M580 ePACs (Ethernet programmable automation controllers) offer openness, flexibility, robustness, and sustainability. They are designed with an Ethernet backbone to optimize connectivity and communications. They support X80 common I/O modules, which can be easily integrated into its architecture. The powerful processors offer high levels of computation for complex networked communication, display, and control applications.



Direct Ethernet connection backplane

- Ethernet
- X-bus

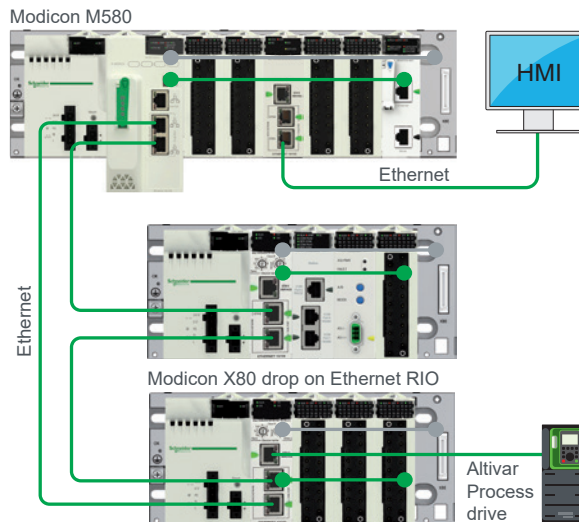
 ODVA organization: supports network technologies built on EtherNet/IP

 FDT Technology: an international standard with broad acceptance in the automation industry

Innovative

ePAC concept

- > Top-to-bottom standard Ethernet network
- > Open architecture with direct Ethernet connection on backplane



Cybersecurity ready

- > Cybersecurity ready with Achilles Level 2 certification and advanced built-in cybersecurity features
- > Embedded security features as defined by standard IEC 62443
- > M580 hardware platform:
 - > Unused services can be disabled
 - > Remote access to PLC can be controlled
 - > Implementation of standard IPSEC protocol helps to secure communication between control network and PLC/devices
- > M580 programming software with integrity check of Unity Pro executable files
- > Traceability for security events:
 - > PLC and Unity PRO implement a SYSLOG client

+ Open and secure solution based on standards

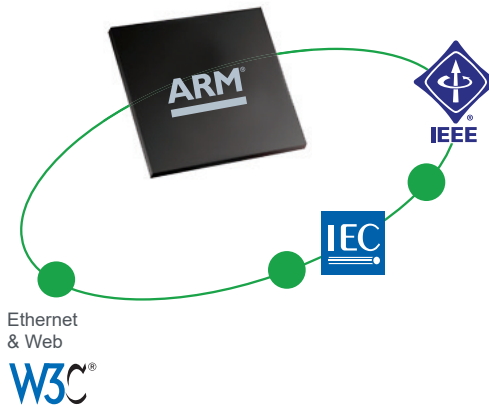


Modicon M580 design is compliant with automation standards

Innovative (continued)

Advanced technologies

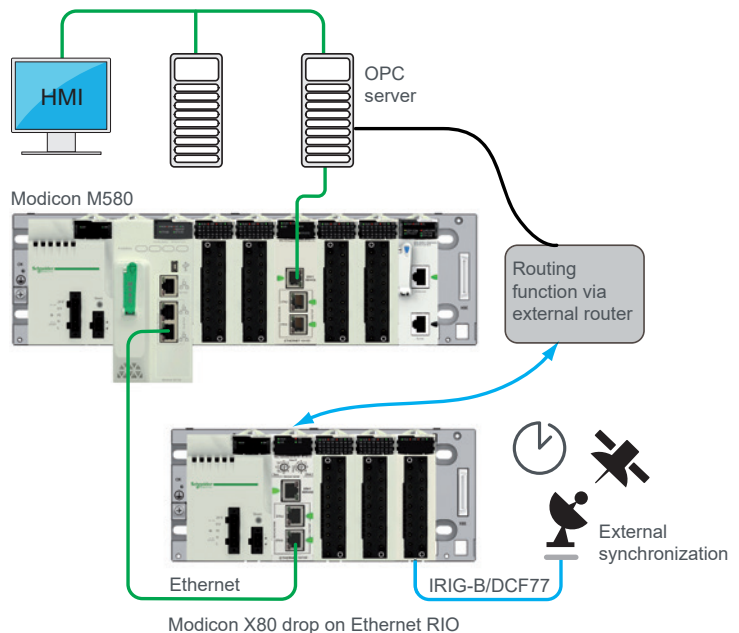
- > Based on high-speed dual-core processor (ARM® type)
- > High-speed communication, application, and execution
- > Innovative mechanical and electronic design for high EMC immunity and ruggedness that is superior to the required IEC standards
- > Supports extended temperature range from -25 °C to +70 °C / -13 °F to +158 °F



No program required with time-stamping solution mode

High precision

- > Native deterministic Ethernet network
- > Ability to deliver 1 ms I/O resolution through native time stamping at source with specific time-stamping modules via OPC server
- > Applications include functions such as:
 - > sequence of events recording (SER)
 - > utility substation automation
 - > protective relay trip history
 - > alarm/event logs
 - > time stamping of power monitoring data logs
 - > time stamping of internal data



+ Modify your process and architecture during runtime

1



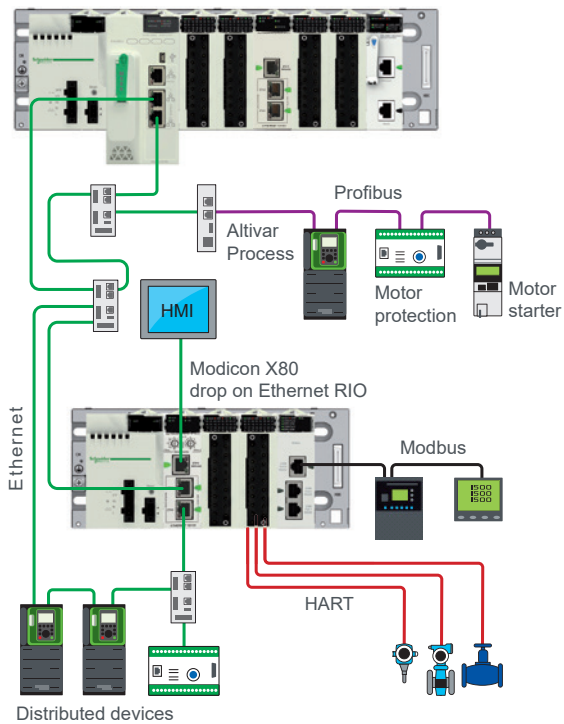
Extend your process or application easily with flexible Modicon M580 topology

Simple and flexible

Flexibility in design

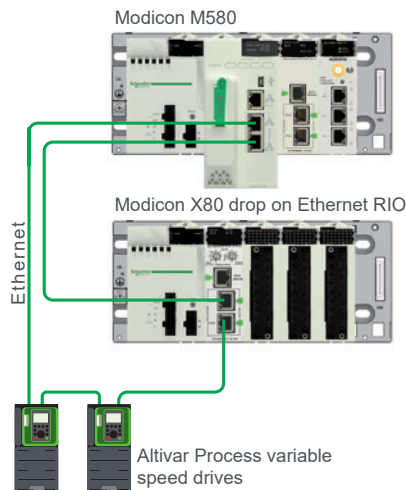
- > Flexible topology allows simple integration of devices
- > Ability to mix remote equipment, distributed equipment, and other devices on the same Ethernet field network with complete software integration
- > Transparent access to data through Ethernet backbone
- > Simple HMI integration via third port on remote I/O head
- > Interface to other popular fieldbus and device networks including AS-Interface, Modbus, Profibus, and HART

Modicon M580



Optimized architecture

- > Simple daisy chain loop



No switches required for simple main loop

+ Design your architecture without constraints

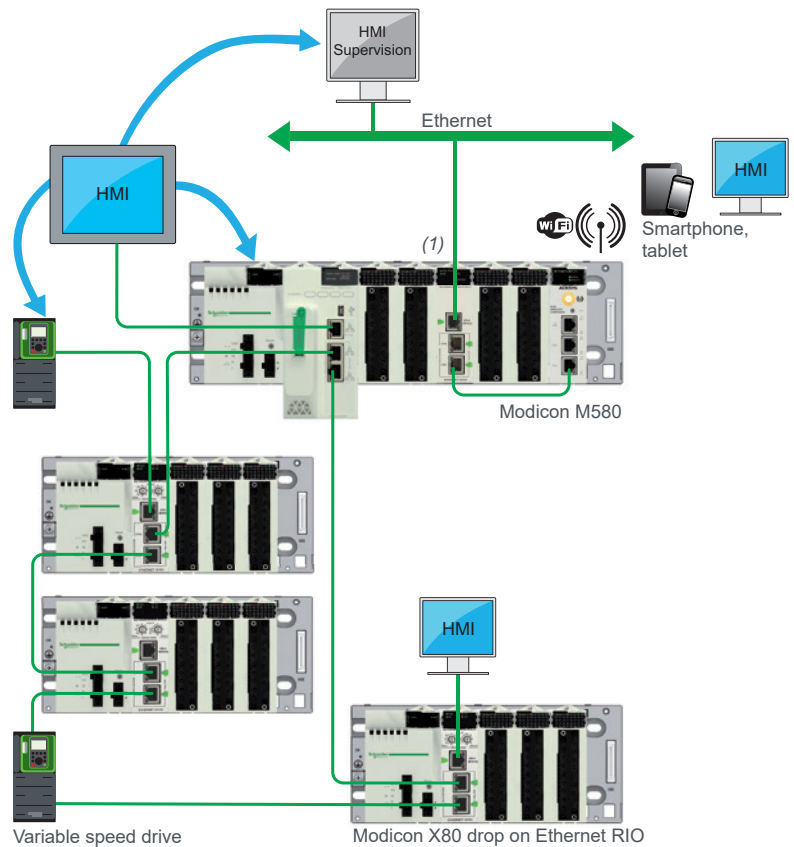


Data at your fingertips wherever you are

Simple and flexible (continued)

Easy diagnostics

- > Ethernet delivers information everywhere
- > Simple, remote, and mobile diagnostics (smartphone, tablet, etc.)
- > Embedded web server for web access
- > Manage supervision screens on HMI and access HMI screens
- > Built-in Vijeo Citect objects for advanced integrated diagnostics

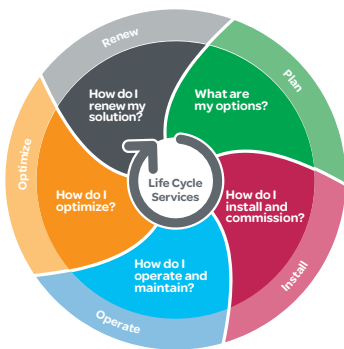


Change configuration on the fly without stopping the process

- Add or remove discrete and analog I/O modules on RIO drop (not time-stamped) or local I/O rack
- Add a new RIO drop
- Modify channel configuration parameters
- Automatic reconfiguration of modules on hotswap
- Online application changes during process runtime including adding new variables shared with HMI (human/machine interfaces)



(1) This schematic diagram operates with BMENOC03•1 modules with complete Ethernet transparency via connection to the Ethernet backplane.



1



Clear distinction between safety and process



Common safety

Regulatory requirements

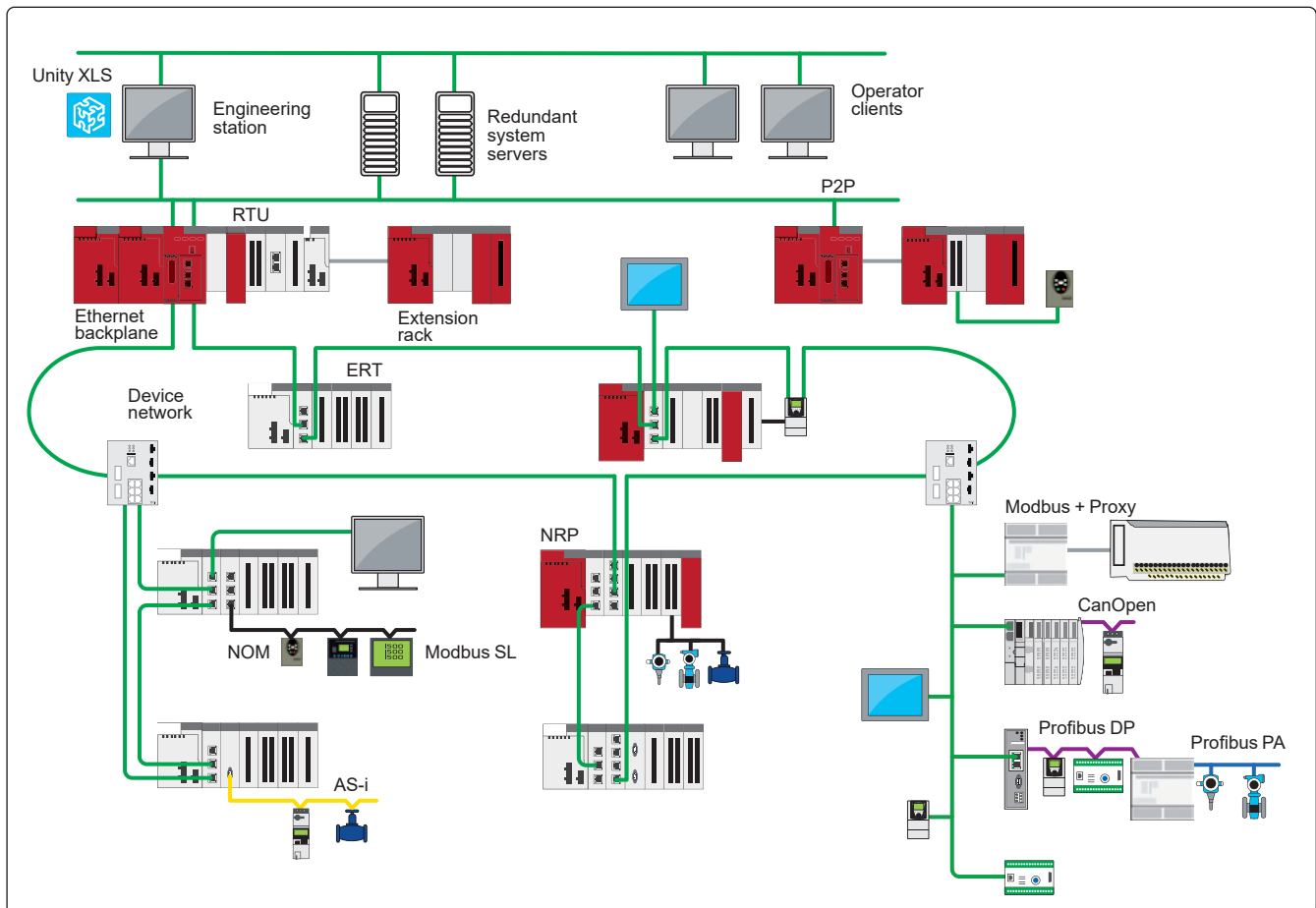
Good practices dictate that control systems must be designed to keep process control functions separate and operationally independent from safety functions. This is usually done using a controller for the process and a separate system for safety.

Our solution offers more than required by industry standards

- > Dual processing capability to control safety and process functions independently
- > Unifying independent plant safety and process control to protect the entire operating environment
- > Minimized impact of standard process failure on plant safety, its people and assets

No compromise for a safe running process

- > Best-in-class Modicon M580 performance, networking and cybersecurity
- > No need to design, install and maintain separate safety systems
- > Same tools, wiring methods and I/O structures as Modicon M580 controller



Typical Common Safety architecture with Modicon M580 Safety

+ Mix standard process and safety in a single M580 safety project



Winning associations in EcoStruxure Plant architecture

Modicon M580 Ethernet PACs have strong associations with:

Partners

- > Able to develop X80 modules on Ethernet backplane with Ethernet tool kit backplane
- > For specific applications or communication modules: weighing, Wi-Fi, etc.

Vijeo Citect HMI

- > To manage time-stamped events through OPC server in a system approach
- > To display Unity Pro diagnostic buffers
- > To integrate objects quickly and easily to provide advanced diagnostic information

Wonderware System Platform (WSP)

- > Integration with Schneider Electric OPC offer

Altivar Process variable speed drives

- > Integration of a tool for setup, commissioning, and diagnostics through FDT/DTM
- > Single entry point, drive DFB, predefined drive profiles, and implicit drive data structure (DDT) to reduce engineering time
- > Integrated Ethernet port for integration into many network topologies (ring, star, tree, and linear)
- > Dual port offers easy connection and high availability (ring topology)
- > Standard and proven Ethernet protocols: Modbus TCP and EtherNet/IP
- > Fast device replacement (FDR) and main standard Ethernet services (RSTP, SNMP, SNTP, DHCP, QoS, HTTP web server)

HMI Magelis™ range

- > Connection through X80 Wi-Fi, web server access, multiple screens on Ethernet backbone, diagnostic buffers supported by Vijeo Designer, export of Unity Pro data to Vijeo Designer

Services on installed base

- > Schneider Electric provides smooth migration paths to migrate existing wired legacy I/O to M580. Contact our Customer Care Center for more details.

1



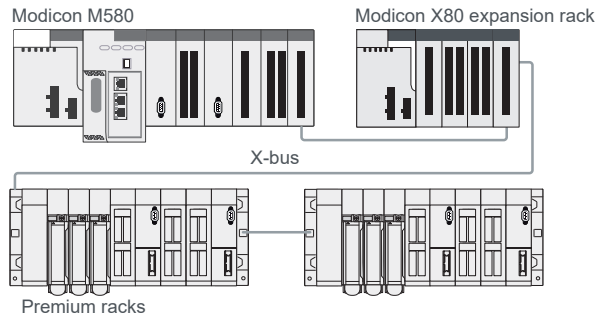
Sustainable

Helping to protect investments

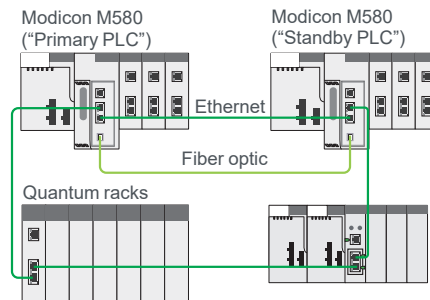
- Keep your existing Modicon Premium I/O or Quantum I/O and wiring



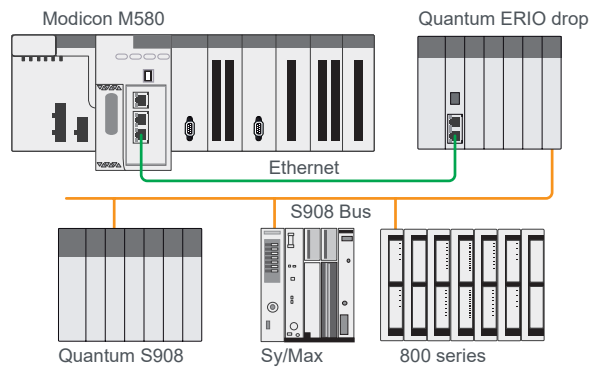
Installed base modernization:
keep your existing
Modicon Premium I/O and
wiring



Installed base modernization:
keep your existing
Modicon Quantum I/O and
wiring



Modernize your installed base
smoothly and stepwise
according to your budget with
our tailored solutions



+ Integration of M580 ePAC into your EcoStruxure Plant architecture



Modicon family with common X80 modules

Sustainable (continued)

Helping to protect investments (continued)

- Standardize on the Modicon family with common X80 modules and reduce training and maintenance costs



Modicon Quantum Ethernet I/O



Modicon M340



Modicon M580



Modicon X80 I/O

- Smooth migration paths for both hardware (quick wiring adapter) and software (SW converters)



+ Smooth modernization of your installed base

1



Modicon M580 automation platform

Presentation

The Modicon M580 automation platform allows two types of architecture - standard applications and high-availability applications - which comprise the following devices:

- A **BMEP58●●●●** processor or two **BMEH58●●●●** processors for Hot Standby architecture
- Modicon X80 I/O modules
- Modicon X80 specialized modules (HART, weighing, counter, etc.)
- Modicon X80 backplanes (X-bus or dual profile X-bus and Ethernet)
- Standalone or redundant X80 power supplies
- Unity Pro

The Modicon M580 automation platform meets the needs of specialist applications such as:

- Manufacturing and large infrastructures
- Water and Waste Water (WWW)
- Food & Beverage (F&B)
- Mining, Minerals, Metals (MMM)
- Oil & Gas (O&G)

Processor modules

The **BMEP58●●●●/BMEH58●●●●** processor range constitutes the core of a complete control solution based on Modicon M580 specific and compatible modules and racks. The QR code allows access to the product datasheet.

Standalone processors

The standalone **BMEP58●●●●** processor is a modular automation processor that physically occupies two module slots on a backplane.

BMEP58●●●● processors can be installed on **BMEXBP●●●●** Ethernet + X-bus racks and **BMXXBP●●●●** (PV02 or later) X-bus racks. Use of the redundant power supply **BMXCPS4002●** in the dual power supply backplane **BMEXBP0602/1002** provides higher system availability.

The processors can manage the Modicon X80 I/O platform in a single-rack or multi-rack Ethernet PAC station. Their slots can be equipped with:

- Discrete I/O modules
- Analog I/O modules
- Counter modules
- Communication modules:
 - Ethernet Modbus/TCP network, EtherNet/IP network
 - AS-Interface actuator/sensor buses and RTU (Remote Terminal Unit) serial link
 - Modbus serial link
- Expert modules

The nine processors in this range have different memory capacities, processing speeds, number of I/O, number of supported local racks, and embedded Ethernet port functions (see page 1/28).

Redundant processors

The Hot Standby **BMEH58●●●●** processor is dedicated for the Hot Standby architecture that physically occupies two module slots on a backplane.

BMEH58●●●● processors can be installed on **BMEXBP●●●●** Ethernet + X-bus racks, **BMXXBP●●●●** (PV02 or later) X-bus racks, and the dual power supply racks **BMEXBP0602/1002** (allowing the use of redundant power supplies **BMXCPS4002●**).



BMEP582020 processor



BMEH584040 processor



Modicon X80 I/O platform

Modicon X80 I/O platform

The Modicon X80 I/O platform serves as the common base for automation platforms by simply adding a dedicated processor such as the M580 or M340.

It may also:

- Form part of a Quantum Ethernet I/O architecture as an Ethernet RIO (EIO) drop with a CRA bus terminal module
- Form an Ethernet Modbus/TCP DIO drop with a PRA module

The Modicon X80 I/O platform is available in single-rack or multi-rack configuration. This platform may also accept automation platform-dedicated modules (communication, application-specific, etc.).

One Modicon X80 drop may support two racks separated by a distance of up to 30 meters/98.425 feet.

This platform, common to several automation platforms, can reduce maintenance and training costs as it comprises:

- A single range of spare parts in stock
- Training common to several PLCs

Based on the latest I/O technology, the Modicon X80 I/O platform offers:

- High-quality ruggedness and compactness
- Compliance with international certifications (ATEX, IEC, etc.)
- A wide selection of modules: Discrete or analog I/O, expert modules, communication modules, etc

Note: For further information, please consult the "Modicon X80 I/O platform" catalog available on our website www.schneider-electric.com.

Dedicated modules

HART integrated analog I/O modules

The Highway Addressable Remote Transducer (HART) protocol is the global standard for sending and receiving digital information across analog wires between smart devices and a control or monitoring system. The standard is controlled by the HART Communications Foundation.

HART integrated analog I/O modules can be added on the backplane of the Modicon M580 processor.

These HART modules offer 8 channels per input module and 4 channels per output module. HART integrated analog I/O modules allow the integration of HART-enabled instruments to the network architecture.

Each M580 main rack can support up to 6 HART I/O modules and each X80 RIO drop can support up to 7 HART I/O modules.

HART analog I/O modules are only supported by Ethernet + X-bus backplanes (main rack or RIO drop).

Note: For further information, please consult the "Modicon X80 I/O platform" catalog available on our website www.schneider-electric.com.



HART integrated analog input module

Scaime partner weighing module

The Scaime integrated partner weighing module is a solution for integrated and distributed weighing systems.

The weighing module is only supported by Ethernet + X-bus backplanes (main rack or RIO drop).

This Scaime Ethernet system weighing transmitter offers 1 weighing channel and can take up to 100 measurements per second in order to provide a better weighing resolution.

Weighing data is easily transmitted to the PLC via the Ethernet backbone.

Note: For further information, please consult the "Modicon X80 I/O platform" catalog available on our website www.schneider-electric.com.



Scaime partner weighing module

Frequency input module

The frequency input module offers turbine shaft and engine speed monitoring functionality for general purpose turbomachinery control (TMC) applications. TMC applications include prime movers, driven equipment, auxiliaries, mechanical retrofits, and protection.

The frequency input module can be integrated into Modicon M340 and M580 standard systems and high-availability systems on the X80 platform.

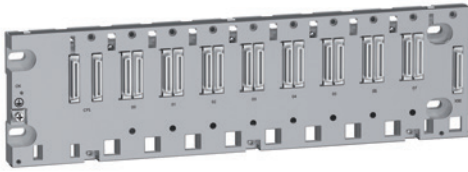
Frequency input modules are compatible with X-bus and Ethernet backplanes (main rack or RIO drop).

Note: For further information, please consult the "Modicon X80 I/O platform" catalog available on our website www.schneider-electric.com.

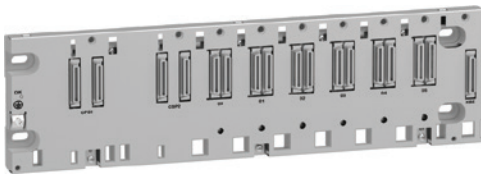


Frequency input module

1



8-slot Ethernet + X-bus rack



6-slot dual power supply backplane



Achilles Level 2 certification

Three rack types

Standard applications

M580 processors can work in either an X-bus rack or a dual (Ethernet + X-bus) rack. Ethernet backplanes are available with 4, 8, and 12 slots.

The M580 Ethernet backplanes provide X-bus connection and Ethernet connectivity.

A single configuration can support up to 7 standard BMX racks used as expansion racks in addition to the main rack, separated by a cumulative distance of up to 30 meters/98.425 feet.

An Ethernet RIO (EIO) drop is composed of one or two racks that can be either a BMX X-bus rack or a BME Ethernet rack. The expansion rack can only be a BMX X-bus rack. All the Ethernet racks are available in a version suitable for use in harsh environments.

An Ethernet switch is embedded in the Ethernet backplane. This switch is connected to several slots on the backplane. In the case of 12-slot backplanes, not all slots have Ethernet connectivity. Only 8 slots are available for Ethernet, but they are placed in several locations along the rack for maximum flexibility of use (see page 1/28).

High-availability applications

- For higher availability, M580 processors or X80 drops can work in a dual power supply backplane **BMEXBP●●02**, which supports the redundant power supply **BMXCPS4002●** in pairs.
- Dual power supply backplanes are available with 6 and 10 dual (Ethernet + X-bus) slots, in which a maximum of 4 out of the 6 slots and 8 out of the 10 slots are available for Ethernet.

Note: It is not possible to plug a standard power supply into a dual power supply backplane; the dual power supply backplane is only compatible with the redundant power supply. However, a single redundant power supply can be plugged into the standard backplane.

Cybersecurity ready

The Modicon M580 is Schneider Electric's most cyber-secure platform thanks to the Achilles Level 2 certification and its advanced built-in cybersecurity features.

The Achilles L2 cybersecurity certification demonstrates the robustness of the Modicon M580 platform under both extreme and common Ethernet conditions. The Modicon M580 automation platform also offers the following features:

- Extended access control for the PLC via an access control list allowing IP addresses and TCP ports to be controlled
- Password protection for remote programming changes
- Possibility to disable any unused service (FTP, HTTP, DHCP, etc.)
- Integrity check of the firmware
- Possibility to lock remote write commands
- Integrity check of Unity PRO executable files
- Any security events can be logged in a SYSLOG database
- Communications with SCADA or Unity PRO secured via IPSEC protocol

Note: For further information, please consult our website www.schneider-electric.com.



PF 151820A

BMEP586040 processor

Processor performance

The M580 standalone processor supports up to 8 local racks (depending on the CPU performance level), using existing X80 I/O modules and accessories. The M580 processor must be installed in the main rack, which can be a dual (Ethernet + X-bus) bus rack. M580 PLCs can support up to 7 expansion racks of 4, 6, 8, or 12 slots for single power supply and 6 or 10 slots for dual power supply. These standalone and Hot Standby processors physically occupy two module slots on a backplane.

The processors can manage the Modicon X80 I/O platform in a single-rack or multi-rack Ethernet PAC station. Their slots can be equipped with:

- Discrete I/O modules
- Analog I/O modules
- Counter modules
- Communication modules: Ethernet Modbus/TCP network, EtherNet/IP network, Modbus SL
- AS-Interface actuator/sensor buses and RTU (Remote Terminal Unit) serial link
- Expert modules

The 9 standalone processors and the 3 Hot Standby processors have different memory capacities, processing speeds, number of I/O, number of supported local racks, and embedded Ethernet port functions (see page 1/28).

The M580 processor range offers the choice of 6 memory levels from 4 MB to 64 MB (see page 1/24 for more information).

It also offers the choice of 2 types of Ethernet device network port:

- For **BMEP58●●20** processors: distributed I/O ports (DIO) to connect distributed equipment
- For **BMEP58●●40** and **BMEH58●●40** processors: distributed I/O ports (DIO) to connect distributed equipment and remote I/O ports (RIO) to connect remote equipment

This range also offers different performance levels: **BMEP5840●●** processors are twice as fast as **BMEP5830●●** processors, which are themselves twice as fast as **BMEP5810●●** and **BMEP5820●●** processors. With the new processor models, **BMEP585040/BMEP586040** processors have 20% higher calculating speed than **BMEP5840●●** processors.

An optional 4 GB SD memory card is supplied with M580 processors for application and data storage.

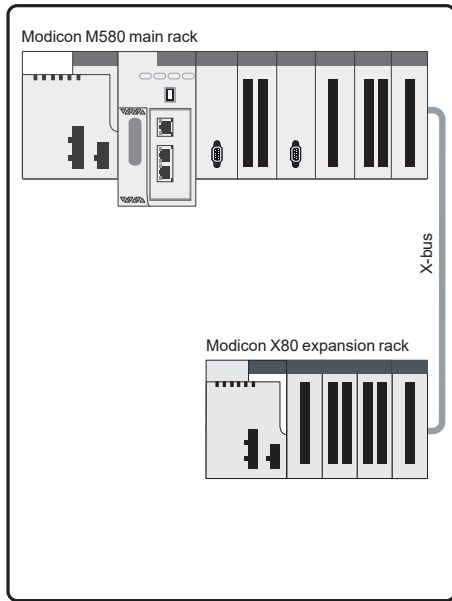
1

Different architectures

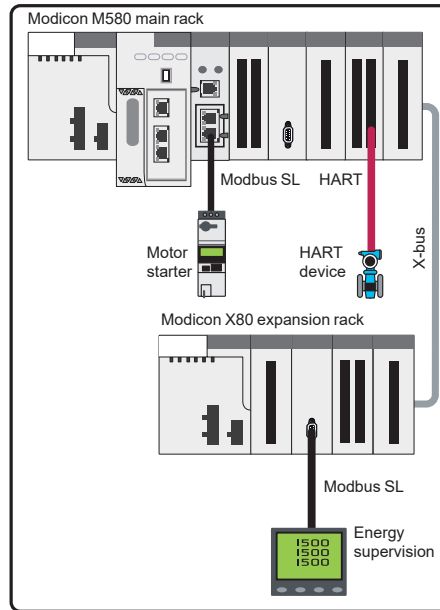
The Modicon M580 ePAC offers different embedded networks to meet various architecture needs:

- Standard Ethernet DIO ports on **BMEP58●●20** processors for local I/O architecture, integrated fieldbus architecture, and distributed I/O architecture
- Dual Ethernet RIO ports on **BMEP58●●40** processors for remote I/O architecture

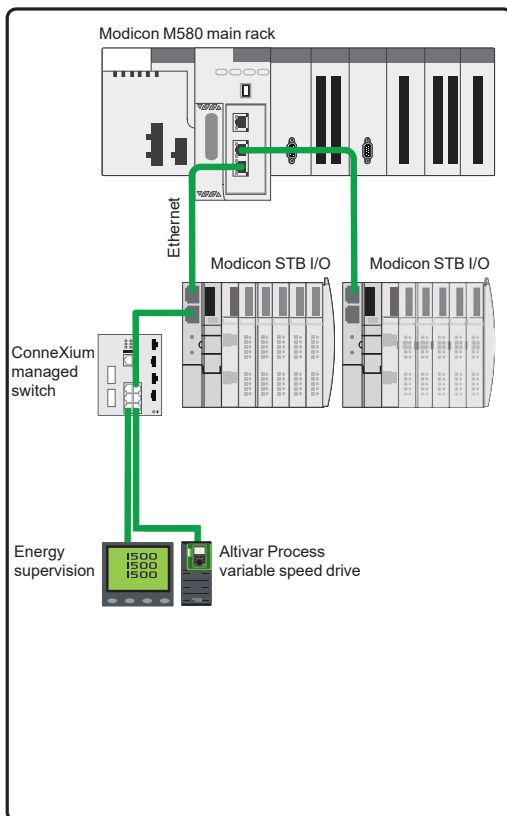
Local I/O architecture: Composed of hard-wired I/O; mainly compact topology



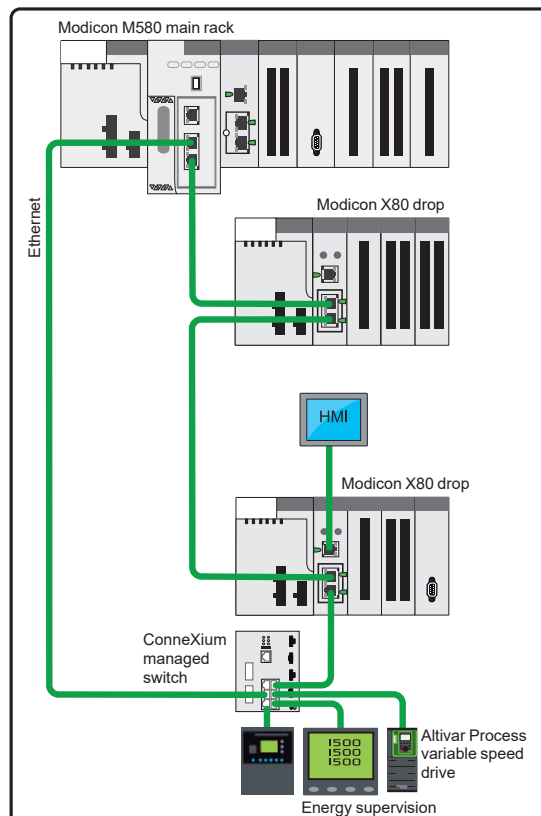
Integrated fieldbus architecture: Composed of devices distributed over fieldbuses; mainly compact topology



Distributed I/O architecture: Composed of devices distributed over Ethernet; ideal for mainly distributed topologies



Remote I/O architecture: Uses Ethernet racks. Composed of remote devices and featuring remote functions, such as fieldbus master

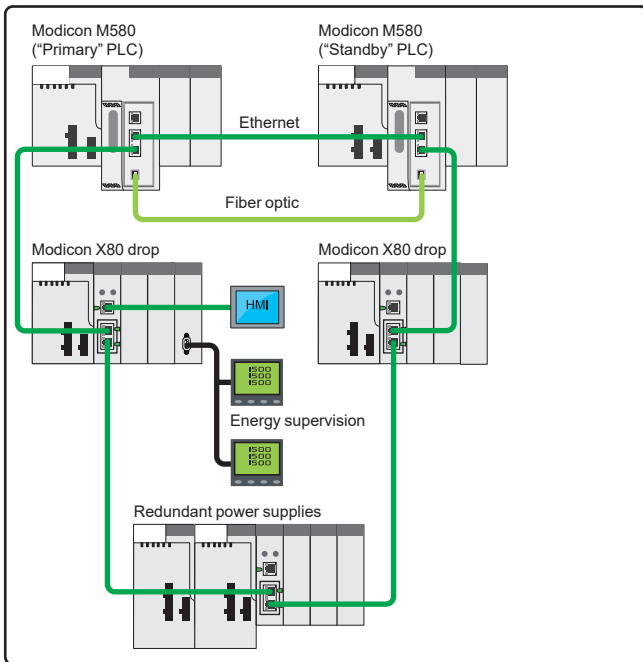


Hot Standby architectures

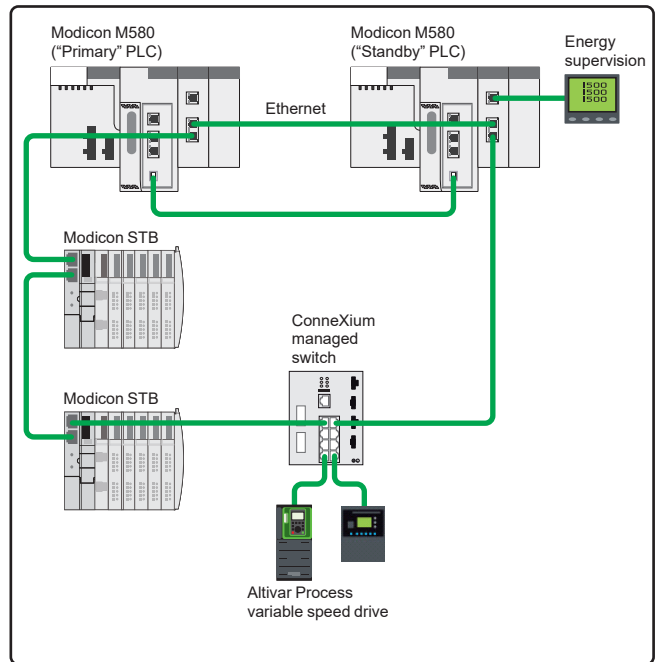
With **BEMH58●●40** processors dedicated to the Hot Standby system, Hot Standby architectures are used for more demanding applications:

- Remote I/O
- Distributed I/O
- Mixed RIO/DIO

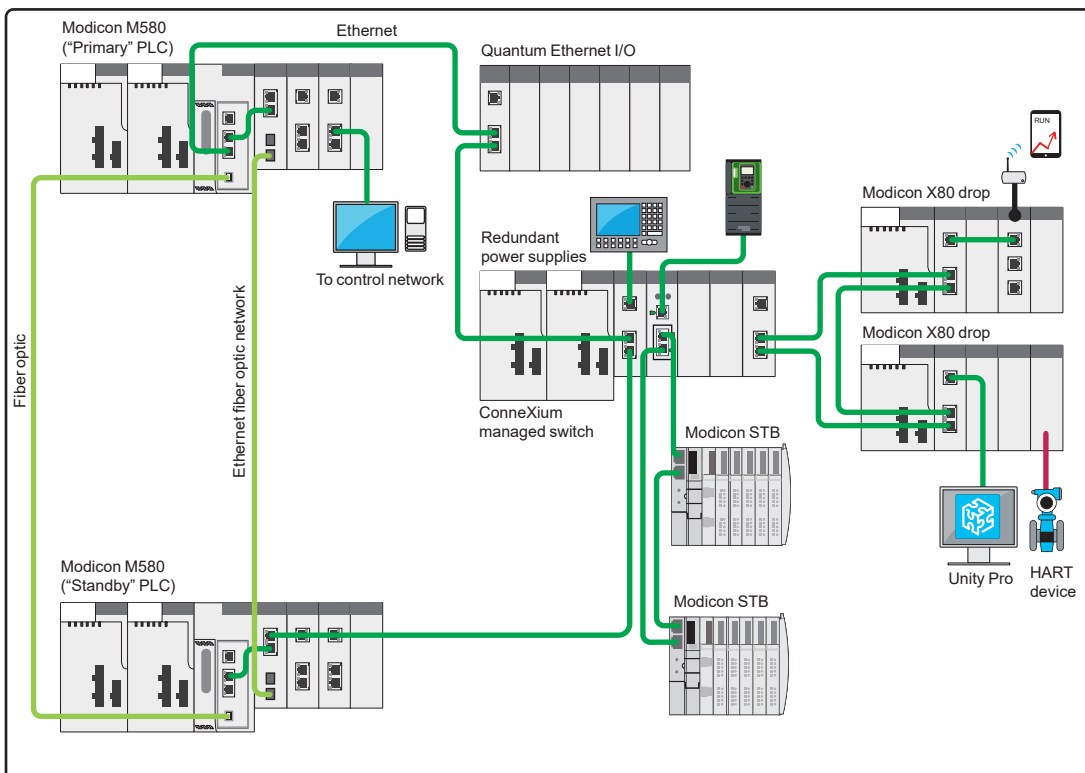
Remote I/O architecture: Composed of remote devices and featuring remote functions



Distributed I/O architecture: Composed of distributed devices under HSBY structure



Mixed RIO/DIO architecture: Composed of a complex architecture with remote IO and distributed IO, making it a particularly flexible solution for connection to a wider range of devices



Ethernet backplane

The M580 dual backplanes provide X-bus connection and Ethernet connectivity. One Ethernet switch is embedded in the backplane with connectivity to some slots on the backplane. There are 2 types of Ethernet backplane: for standard applications with one power supply module inserted, up to 12 modules will be supported. For high-availability applications with 2 power supply modules for redundancy, 6 or 10 modules will be supported. Not all slots have Ethernet connectivity in the case of 12-slot backplanes.

Using such connectivity, Ethernet-based modules (both Schneider Electric and third-party) can communicate with any other module or device that is reachable via the Ethernet and IP networks.

An additional connector is added to some slots of the backplane, next to the X-bus connector.

The Ethernet backplane provides multiple communication buses compared with the X-bus backplane to improve connectivity on the backplane. These buses can be connected to Ethernet modules and used to communicate different types of data for different purposes (see page 1/29).

The following communication buses are present in Ethernet backplanes:

- X-bus
- Ethernet

Expanded backplanes

To expand the configuration using additional racks, a bus expansion module (**BMXXBE1000**) and X-bus cables are required (see page 1/30).

The expanded backplane can be either a standard backplane, including a power supply module and supporting up to 12 modules, or a dual power supply backplane, including 2 redundant power supply modules and supporting up to 10 modules.

However, an expanded backplane can only be an X-bus rack, plugged with the basic I/O modules, and is not compatible with all the advanced function modules (such as HART or weighing). Please refer to the compatibility table for more information (see page 1/18).

It is also possible to expand a drop's backplane.

Each rack will be assigned a physical address using 4 micro switches located in the bus expansion module:

- The main rack containing the processor will be assigned address 0.
- The other racks will be assigned addresses 1 to 7.



Unity Pro

Design and setup of Modicon M580 applications

Unity Pro programming software \geq V8.0 is required to set up the Modicon M580 standalone automation platform. For the Modicon M580 Hot Standby system, Unity Pro \geq V11.0 is required. The Unity Pro function block software libraries make it possible to meet the needs of specialist applications in various fields of application, such as:

- Water and Waste Water (WWW)
- Food & Beverage (F&B)
- Mining, Minerals, Metals (MMM)
- Oil & Gas (O&G)

To set up Modicon M580 automation platform processors, you need Unity Pro Large or Extra Large programming software identical to the one used to set up Modicon M340, Modicon Premium, and Modicon Quantum automation platforms.

Unity Pro V8.0 is compatible with Windows[®] XP, Windows 7, Windows 8, and Windows Server 2008.

Depending on requirements, you may also need:

- Unity EFB toolkit software for developing EF and EFB libraries in C language
- Unity SFC View software for viewing and diagnostics of applications written in Sequential Function Chart (SFC) or Grafcet language
- Graphical Unity DIF matching software for comparing two applications configured with Unity Pro
- Unity Loader software for updating Unity Pro projects and device firmware

The function block software libraries provide Modicon M580 processors with the processing capability required to meet the needs of specialist applications in the following area:

- Process control via programmable control loops (EF and EFB libraries)

This software also offers the following features:

- References
- Implicit type conversion, IEC 61131-3 proposition
- Security Editor on server
- Improved log file
- A trending tool that is synchronized on each PLC scan
- DFB providing information on users logged on to the PLC
- Data file (dtx) backup with application backup (sta/stu or zef)
- Password protection for the application running on the PLC
- Macro function

Note: For further information, please consult the "PlantStruxure Unity and OPC software" catalog available on our website www.schneider-electric.com.

Treatment for harsh environments

If the Modicon M580 automation platform needs to be used in a harsh environment, the ruggedized offer provides processors, power supply modules, and I/O modules on X-bus and racks with a protective coating applied to their electronic cards (see page 4/2).

This treatment improves the cards' insulation qualities and their resistance to:

- Condensation
- Dusty atmospheres (conducting foreign particles)
- Chemical corrosion, in particular when used in sulfurous atmospheres (oil refinery, purification plant, etc.) or atmospheres containing halogens (chlorine, etc.)

This protection, combined with appropriate installation and maintenance, enables Modicon M580 products to be used in harsh chemical environments such as types 3C2 and 3C3 as described in standard IEC/EN 60721-3-3.

The functional and electrical characteristics of the coated modules are identical to those of the non-coated versions.

With coated modules, the Modicon M580 automation platform may be used in harsh environments or within a range of operating temperatures from -25 °C to $+70\text{ °C}$ / -13 °F to $+158\text{ °F}$.

Some Modicon M580 modules are also ATEX-certified.

Modicon X80 I/O platform
Product compatibility according to network architecture

Table with columns: Product type, X80 module reference, Short description of X80 module, M340, M580 (Local rack with CPU, Standalone, HSBY), X-bus rack, X-bus + Ethernet rack, and various I/O modules like Power supplies and I/O.

Table with columns: M580, Quantum Ethernet I/O, M340 + M580 + Quantum + Premium, X80 drops on Ethernet remote I/O, Standalone or HSBY X-bus rack, X-bus + Ethernet rack, X-bus rack, X-bus + Ethernet rack, X-bus rack, X-bus + Ethernet rack, X-bus rack, X-bus + Ethernet rack.

Modicon X80 I/O platform

Product compatibility according to network architecture

Product type	X80 module reference	Short description of X80 module	M340				M580				
			Local rack with CPU								
			Standalone				HSBY				
			X-bus rack BMXXBP●●●●	X-bus + Ethernet rack BMEXBP●●●●	X-bus rack BMXXBP●●●●	X-bus + Ethernet rack BMEXBP●●●●	X-bus rack BMXXBP●●●●	X-bus + Ethernet rack BMEXBP●●●●	X-bus rack BMXXBP●●●●	X-bus + Ethernet rack BMEXBP●●●●	
Expert modules	BMXEAE0300 (H)	SSI encoder	■	■							
	BMXEHC0200 (H)	Counter	■	■							
	BMXEHC0800 (H)	Counter	■	■							
	BMXERT1604T	Time stamping	■	■							
	BMXMSP0200	PTO	■	■							
	BMXETM0200H	Frequency input	■	■							
	PMXCDA0400	AIDIAG (M340 + M580)	■	■							
	PMESWT0100	Weighing	■	■							
Communication modules	BMXNOC0401	Ethernet	■								
	BMXNOE0100 (H)	Ethernet	■								■
	BMXNOE0110 (H)	Ethernet	■								■
	BMENOC0301 (C)	Ethernet standard web server			■			■			
	BMENOC0311 (C)	Ethernet FC web server			■			■			
	BMENOC0321 (C)	Ethernet Control router			■			■			
	BMENOS0300 (C)	eDRS switch			■			■			
	BMXNGD0100	Ethernet Global Data services			■			■			
	BMXNOM0200 (H)	Serial	■	■	■	■	■	■	■	■	■
	BMENOP0300 (C)	IEC 61850			■			■			
	BMXNOR0200H	RTU	■	■							
	BMXEIA0100	ASi	■	■							
	BMECXM0100 (H)	CANopen Master			■			■			
	BMXNRP0200	Optical transceiver	■	■	■	■	■	■	■	■	■
	BMXNRP0201	Optical transceiver	■	■	■	■	■	■	■	■	■
	PMEUCM0202	Ethernet TCP open universal module			■			■			
	PMXNOW0300	Wireless	■	■	■	■	■	■	■	■	■

Compatible Not compatible

Note: X80 safety modules are not included into this table and can only be used with M580 safety ePAC.

M580				Quantum Ethernet I/O			M340 + M580 + Quantum + Premium
X80 drops on Ethernet remote I/O				X80 drops on Ethernet remote I/O			X80 drops on distributed I/O
Standalone or HSBY X-bus rack BMXXBP●●●●	Standalone	HSBY		X-bus rack BMXXBP●●●●	X-bus + Ethernet rack BMEXBP●●●●	X-bus rack BMXXBP●●●●	X80 drops on distributed I/O
		X-bus + Ethernet rack BMEXBP●●●●	HSBY				
BMXCRA31200	BMXCRA31210	BMECRA31210		BMXCRA31200	BMXCRA31210	BMECRA31210	BMXPRA0100
■	■	■	■	■	■	■	■
■	■	■	■		■	■	■
■	■	■	■		■	■	■
■	■	■	■		■	■	■
■	■	■	■		■	■	■
■	■	■	■		■	■	■
■	■	■	■		■	■	■
■	■	■	■		■	■	■
■	■	■	■		■	■	■
■	■	■	■		■	■	■
■	■	■	■		■	■	■
■	■	■	■		■	■	■
■	■	■	■		■	■	■
■	■	■	■		■	■	■
■	■	■	■		■	■	■
■	■	■	■		■	■	■
■	■	■	■		■	■	■
■	■	■	■		■	■	■
■	■	■	■		■	■	■
■	■	■	■		■	■	■
■	■	■	■		■	■	■
■	■	■	■		■	■	■
■	■	■	■		■	■	■

Modicon M580 automation platform

Modicon M580 processors

Modicon M580 platform for Unity Pro software offer

BMEP5810 model

BMEP5820 models



Racks	Maximum number of local racks Remote I/O drop of 2 racks	4 —	—	8	
I/O	Maximum number of discrete local I/O channels (1)	1,024	2,048		
	Maximum number of analog local I/O channels (1)	256	512		
	Maximum number of Ethernet DIO devices	61	125	61	
In-rack application-specific channels	Maximum number of application-specific channels	36	72		
	Counter (1)	BMXEHC0200 2-channel (60 kHz) or BMXEHC0800 8-channel (10 kHz) modules			
	Motion control (1)	BMXMSP0200 2-channel PTO (pulse train output) module for servo drives			
	Serial link (process or RTU) (1)	BMXNOM0200 2-channel module or BMXNOR0200H module with 1 RTU serial channel			
	HART(1)	BMEAHI0812 8-channel HART analog input (4–20 mA) module or BMEAHO0412 4-channel HART analog output (4–20 mA) module			
	SSI encoder (1)	BMXAE0300 3-channel module (SSI)			
	Time stamping (1)	BMXERT1604T 16-channel discrete input (with 1 ms resolution) module			
	Frequency input (1)	BMXETM0200H 2-channel frequency input (1 Hz... 500 kHz) module with 1 reflex output per channel			
	Process control, programmable loops	Process control EFB library			
	Integrated communication ports	Ethernet service port (RJ45)	1 port for DIO devices, Unity, CNM, HMI, SCADA, diagnostics, and external tools		
		Ethernet device network dual ports (RJ45)	2 ports support DIO scanner	2 ports support both RIO and DIO scanner	
		USB port	1 programming port (PC terminal)		
Communication modules	Ethernet network	2	2		
	Type of module	BMENOC03•1 network modules with 1 EtherNet/IP channel or Modbus TCP communication protocol			
		BMENOP0300 IEC 61850 communication module			
	AS-Interface	2	4		
	Type of module	BMXEIA0100 master module			
	Global Data	2	2		
Type of module	BMXNGD0100 Ethernet Global Data module				
CANopen master (1)	—	—			
Type of module	BMECXM0100 CANopen master module				
Internal memory capacity (2)	Program (MB)	4	8		
	Data (KB)	384	768		
	Data storage (GB)	4			
Application structure	Master task	2 processing modes (cyclic, periodic)			
	Fast task	1 processing mode (periodic)			
	Auxiliary tasks (AUX 0, AUX 1)	1 processing mode (periodic)			
	Event tasks	I/O event	64		
	Timer event	16			
Total I/O and Timer event	64				
No. of K instructions executed per ms	100% Boolean (Kinstr/ms)	10			
	65% Boolean + 35% fixed arithmetic (Kinstr/ms)	7.5			
Product compatibility with Quantum	Support of Ethernet remote I/O	—			
	LL984 Editor	—			
Rack power supply		24 V $\overline{\text{---}}$ isolated, 24...48 V $\overline{\text{---}}$ isolated, or 100...240 V \sim power supply module			
Modicon M580 processor (3)		BMEP581020	BMEP582020	BMEP582040	

(1) The maximum values for the number of I/O, application-specific channels, and the number of networks are not cumulative (they are limited by the maximum number of slots in the configuration, 1 rack: 11, 2 racks: 23, 3 racks: 35, and 4 racks: 47).
 (2) Data and program share a maximum of 64 MB memory capacity. 4 MB configurable retained data can be saved on a power cycle.
 (3) Some modules are conformal coated. Please, refer to page 4/2 for more information.

BMEP5830 models

BMEP5840 models

BMEP5850 model

BMEP5860 model



8				8
—	16	—	16	31
3,072		4,096		5,120
768		1,024		1,536
125	61	125	61	61
108		144		180
				216
BMXEHC0200 2-channel (60 kHz) or BMXEHC0800 8-channel (10 kHz) modules				
BMXMSP0200 2-channel PTO (Pulse Train Output) modules for servo drives				
BMXNOM0200 2-channel module or BMXNOR0200H module with 1 RTU serial channel				
BMEAHI0812 8-channel HART analog input (4–20 mA) or BMEAHO0412 4-channel HART analog output (4–20 mA) module				
BMXAE0300 3-channel module (SSI)				
BMXERT1604T 16-channel discrete output (with 1 ms resolution) module				
BMXETM0200H 2-channel frequency input (1 Hz... 500 kHz) module with 1 reflex output per channel				
Process control EFB library				
1 port for DIO devices, Unity, CNM, HMI, SCADA, diagnostics, and external tools				
2 ports support DIO scanner	2 ports support both RIO and DIO scanner	2 ports support DIO scanner	2 ports support both RIO and DIO scanner	
1 programming port (PC terminal)				
3		4		
BMENOC03•1 network modules with 1 EtherNet/IP channel or Modbus TCP communication protocol				
BMENOP0300 IEC 61850 communication module				
6		8		
BMXEIA0100 master module				
3		4		
BMXNGD0100 Ethernet Global Data module				
—		—		
BMECXM0100 CANopen master module				
12		16		24
1,024		2,048		4,096
4				4
				64
2 processing modes (cyclic, periodic)				
1 processing mode (periodic)				
1 processing mode (periodic)				
128				
32				
128				
20		40		50
15		30		40
—				Yes
—				Yes
24 V $\overline{\text{---}}$ isolated, 24...48 V $\overline{\text{---}}$ isolated, or 100...240 V \sim power supply module				
BMEP583020	BMEP583040	BMEP584020	BMEP584040	BMEP585040
				BMEP586040

Modicon M580 automation platform

Modicon M580 redundant processors

Modicon M580 platform for Unity Pro software offer

BMEH5820 model



Racks	Remote I/O drop of 2 racks	8	
I/O	Maximum number of discrete local I/O channels (1)	–	
	Maximum number of analog local I/O channels (1)	–	
	Maximum number of Ethernet DIO devices scanned by CPU	61	
Integrated communication ports	Ethernet service port (RJ45)	1 port for DIO devices, Unity, CNM, HMI, SCADA, diagnostics, and external tools	
	Ethernet device network dual ports (RJ45)	2 ports support both RIO and DIO scanner	
	USB port	1 programming port (PC terminal)	
Communication modules	Ethernet network	2 BMECOC03•1 network modules with 1 EtherNet/IP channel or Modbus TCP communication protocol BMENOP0300 IEC 61850 communication module	
	CANopen master (2)	– BMECXM0100 CANopen master module	
Internal memory capacity (3)	Program (MB)	8	
	Data (KB)	768	
	Configurable HSBY transfer data (KB)	768	
	Data storage (GB)	4	
Application structure	Master task	1 processing mode (periodic)	
	Fast task	1 processing mode (periodic)	
	Auxiliary tasks (AUX 0, AUX 1)	–	
	Event tasks	I/O event	–
		Timer event	–
	Total I/O and Timer event	–	
No. of K instructions executed per ms	100% Boolean (Kinstr/ms)	10	
	65% Boolean + 35% fixed arithmetic (Kinstr/ms)	7.5	
Product compatibility with Quantum	Support of Ethernet remote I/O LL984 Editor	– –	
Rack power supply		24 V $\overline{\text{---}}$ isolated, 24...48 V $\overline{\text{---}}$ isolated, or 100...240 V \sim power supply module	

BMEH582040

(1) No local I/O is supported in Hot Standby architecture.
 (2) The maximum values for the number of I/O, application-specific channels, and the number of networks are not cumulative (they are limited by the maximum number of slots in the configuration, 1 rack: 11, 2 racks: 23, 3 racks: 35, and 4 racks: 47).
 (3) Data and program share a maximum of 64 MB memory capacity. 4 MB configurable retained data can be saved on a power cycle, and up to 4 MB of Hot Standby data can be selected by the user.
 (4) Some modules are conformal coated. Please, refer to page 4/2 for more information.

BMEH5840 model



BMEH5860 model



16	31
–	–
–	–
61	61
1 port for DIO devices, Unity, CNM, HMI, SCADA, diagnostics, and external tools	
2 ports support both RIO and DIO scanner	
1 programming port (PC terminal)	
4	
BMECOC03•1 network modules with 1 EtherNet/IP channel or Modbus TCP communication protocol BMENOP0300 IEC 61850 communication module	
–	
BMECXM0100 CANopen master module	
16	64
2,048	Up to 64 MB (2)
2,048	4,096
4	
1 processing mode (periodic)	
1 processing mode (periodic)	
–	
–	
–	
–	
40	50
30	40
Yes	
Yes	
24 V $\overline{\text{---}}$ isolated, 24...48 V $\overline{\text{---}}$ isolated, or 100...240 V \sim power supply module	

BMEH584040

BMEH586040

Modicon M580 automation platform

Processor modules

1



Modicon M580 configuration

Presentation

Modicon M580 **BMEP58** modular processors form the core of a complete control solution based on Modicon M580 specific and compatible modules and racks. These standalone processors physically occupy 2 module slots (0 and 1) on a backplane.

Modicon M580 **BMEH58** redundant modular processors form the core of the Hot Standby architectures for more demanding applications, to provide overall higher availability (1).

The processors can manage the Modicon X80 I/O platform in a single-rack or multi-rack Ethernet PAC station. Their slots can be equipped with:

- Discrete I/O modules
- Analog I/O modules
- Counter modules
- Communication modules: Ethernet Modbus/TCP network, EtherNet/IP network, Modbus serial link, AS-Interface actuator/sensor buses and RTU (Remote Terminal Unit) serial link
- Expert modules

The M580 processor range offers the choice of 6 memory levels:

- 4 MB for **BMEP581020** processor
- 8 MB for **BMEP5820●●** and **BMEH582040** processors
- 12 MB for **BMEP5830●●** processors
- 16 MB for **BMEP5840●●** and **BMEH584040** processors
- 24 MB for **BMEP585040** processor
- 64 MB for **BMEP586040** and **BMEH586040** processors

An optional 4 GB SD memory card is supplied with M580 processors for application and data storage. Each processor has a USB terminal port for connecting to a programming terminal. A temporary connection to an HMI is possible via the USB port (2).

In addition, depending on the model, these processors offer the following (non-cumulative) maximums on their local racks:

- Up to 6,144 discrete I/O
- Up to 1,536 analog I/O
- Up to 216 application-specific channels (3) (process counter, motion control, and serial link or RTU)
- 1 Ethernet service port
- 2 Ethernet device network ports
- DIO ports (distributed equipment) for all processors
- RIO ports (remote equipment) for **BMEP58●●40/BMEH58●●40** processors
- 4 extended master AS-Interface V3 actuator/sensor buses, profile M4.0

Applications can be downloaded to the M580 processor when Unity is connected either via a local communication module, or directly to the processor through USB or Ethernet, or to the Ethernet ports of **BMECRA31210** Ethernet drop adapters and ConneXium DRS (Dual Ring Switch) switches.

(1) The application in a standalone processor can be migrated into a redundant processor as easy as one click in Unity Pro.

(2) Please refer to the HMI catalogs on www.schneider-electric.com.

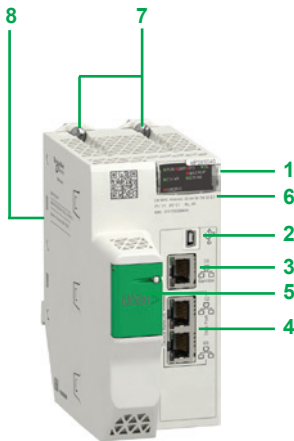
(3) By using remote drops, those limits can be extended to the maximum configuration managed by one M580 station.

Modicon M580 automation platform

Standalone processor modules



BMEP5810●●/20●●/30●●/40●●



BMEP585040/6040

Description of BMEP58●●●● processors

BMEP58●●●● processors include:

- 1 Display block comprising 8 LEDs whose varying combinations provide a quick diagnostic status of the processor:
 - RUN LED (green): processor in operation (program execution)
 - ERR LED (red): processor or system detected error
 - I/O LED (red): detected I/O module error
 - DL LED (green): firmware download in progress
 - BACKUP LED (red): backup memory (internal or card)
 - ETH MS LED (bi-color green/red): indicates the Ethernet port configuration status
 - ETH NS LED (bi-color green/red): indicates the Ethernet connection status
 - FORCED I/O (bi-color green/red): I/O status forced by the processor
- 2 Mini-B USB port for connecting to a programming terminal
- 3 RJ45 Ethernet port that allows diagnosis of Ethernet ports and provides access to external tools, devices, and distributed I/O devices
- 5 Slot equipped with an optional SD memory card for application and data storage (an LED, located behind the door, indicates access to the memory card) (1)
- 6 Printed serial number, product version, and MAC address on the front panel of the processor
- 7 2 hooks and 2 screws for mechanical attachment and grounding connection to backplane
- 8 2 connectors for electrical connection to an M580 backplane (X-bus only or Ethernet backplane)

Description of BMEP58●●20 processors

- 4 BMEP58●●20 processors have dual RJ45 Ethernet ports for connection to the distributed equipment (DIO).

Description of BMEP58●●40 processors

- 4 BMEP58●●40 processors have dual RJ45 Ethernet ports for connection to the remote I/O drops (EIO) and distributed equipment (through DRS) (2).

USB terminal port

The USB port 2, offering a useful data rate of 480 Mbps, is compatible with Unity Pro programming software, OPC Factory Server (OFS), and Magelis HMI terminals (3).

BMEP58 processors can be connected to a USB bus comprising several peripheral devices. However:

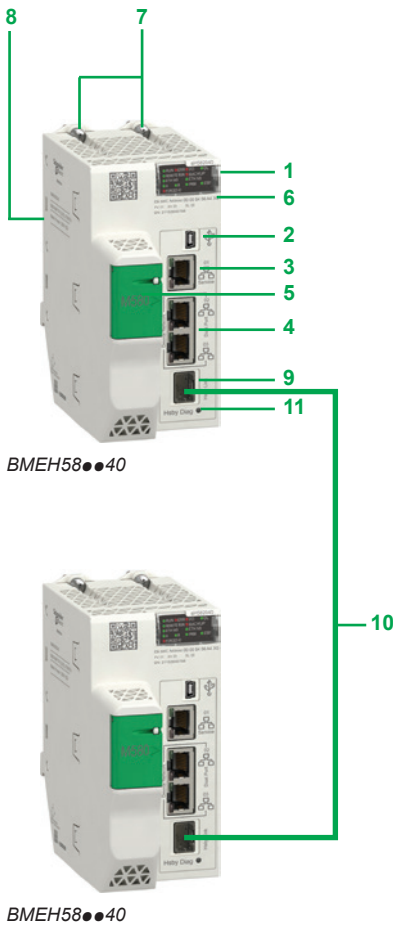
- Only one processor can be connected to the USB bus
- No device on the USB bus can be controlled by the PLC (modem, printer)

Ethernet backplanes

The new range of Ethernet backplanes feature embedded Ethernet and X-bus connectivity. With 4, 8, and 12 slots for standard power supply or 6 and 10 slots for redundant power supply, these 2 connectors allow the existing M580/X80 modules to be incorporated into an M580 architecture (see page 3/10).

(1) The BMEP585040/BMEP586040 models have a different door, which can be locked to prevent theft of the SD card.
 (2) DRS: Dual ring switches. Supported ConneXium switches TCSESM083F23F1/063F2CU1/063F2CS1.
 (3) Please refer to the HMI catalogs on www.schneider-electric.com.

1



Description of BMEH58●●●● processors

BMEH58●●●● processors include:

- 1 Display block comprising 13 LEDs whose varying combinations provide a quick diagnostic status of the processor:
 - RUN LED (green): processor in operation (program execution)
 - ERR LED (red): processor or system detected error
 - I/O LED (red): detected I/O module error
 - DL LED (green): firmware download in progress
 - REMOTE RUN (green): indicates the RUN status of the remote processor
 - BACKUP LED (red): backup memory (internal or card)
 - ETH MS LED (bi-color green/red): indicates the Ethernet port configuration status
 - ETH NS LED (bi-color green/red): indicates the Ethernet connection status
 - A (green): indicates the local CPU A/B/Clear rotary switch is set to "A"
 - B (green): indicates the local CPU A/B/Clear rotary switch is set to "B"
 - PRIM (green): indicates the primary status of the processor
 - STBY (green): indicates the standby status of the processor
 - FORCED I/O (red): I/O status forced by the processor
- 2 Mini-B USB port for connecting to a programming terminal
- 3 RJ45 Ethernet port that allows diagnosis of Ethernet ports and provides access to external tools, devices, and distributed I/O devices
- 5 Slot equipped with an optional SD memory card for application and data storage (an LED, located behind the door, indicates access to the memory card; the door can be locked to prevent theft of the SD card)
- 6 Printed serial number, product version, and MAC address on the front panel of the processor
- 7 2 hooks and 2 screws for mechanical attachment and grounding connection to backplane
- 8 2 connectors for electrical connection to an M580 backplane (X-bus only or Ethernet backplane)
- 9 Slot for SFP socket supporting copper or fiber-optic Hot Standby link connection
- 10 Hot Standby communication link cable (copper or fiber optic depending on SFP socket type)
- 11 LED indicating the Hot Standby link status

Description of BMEH58●●●40 processors

- 4 BMEH58●●●40 processors have dual RJ45 Ethernet ports for connection to the remote I/O drops (EIO) and distributed equipment.

USB terminal port

The USB port 2, offering a useful data rate of 480 Mbps, is compatible with Unity Pro programming software, OPC Factory Server (OFS), and Magelis HMI terminals (1).

BMEH58 processors can be connected to a USB bus comprising several peripheral devices. However:

- Only one processor can be connected to the USB bus
- No device on the USB bus can be controlled by the PLC (modem, printer)

SFP sockets

SFP sockets are used to choose the medium of the Hot Standby link. The 2 types each have a unique reference. Transmission between the primary CPU and the redundant CPU can be either:

- Copper if the 490NAC0100 SFP socket is used
- Fiber optic if the 490NAC0201 SFP socket is used

Ethernet backplanes

The new range of Ethernet backplanes feature embedded Ethernet and X-bus connectivity. With 4, 8, and 12 slots for standard power supply or 6 and 10 slots for redundant power supply, these 2 connectors allow the existing M580/X80 modules to be incorporated into an M580 architecture (see page 3/10).

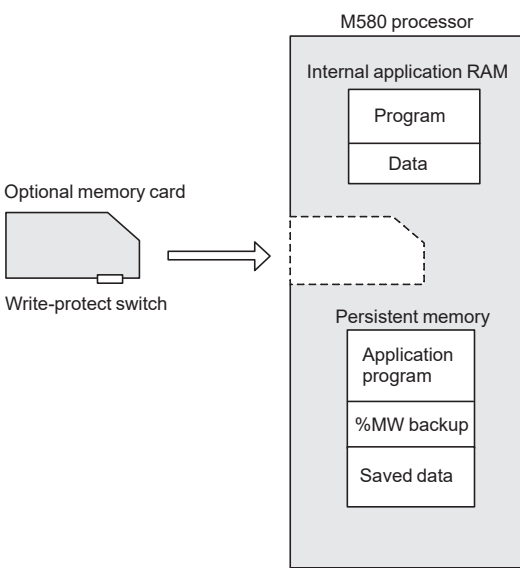


490NAC0100



490NAC0201

(1) Please refer to the HMI catalogs on www.schneider-electric.com.



Modicon M580 application storage

Memory structure

Internal memory capacity

The internal application RAM of Modicon M580 processors stores and executes the application program. This RAM has no battery backup, which means data could be lost in the event of a power outage. To avoid data loss, the application can be backed up in the persistent memory. The internal memory provides a maximum capacity of 64 MB for program and data, and 4 GB for data storage.

The internal persistent memory is used by the firmware to register:

- the value of application variables
- the system state
- application backup
- a copy of %MW values

An optional memory card, **BMXRMS004GPF**, is used for application backup and data storage. It is formatted by Schneider Electric.

BMXRMS004GPF SD memory card

Modicon M580 processors support an optional 4 GB memory card **BMXRMS004GPF**. The SD memory card is of “industrial grade” and formatted for use with Modicon M580 only. The Modicon M580 does not support memory cards from Modicon M340. This card withstands operating temperatures of -40 to +85 °C/ -40 to +185 °F and has 10 years of file retention capacity.

Unity Pro programming software helps the application designer manage the structure and memory space of the Modicon M580 automation platform.

Protecting the application

If necessary, it is possible to limit access to the application (in terms of reading and modifying the program) by only loading the executable code in the PLC. Additionally, a memory protection bit, set in configuration mode, is also available to help prevent any program modification (via the programming terminal or downloading).

The user has function blocks for protecting know-how by means of a signature that can be loaded and stored in the M580 processor module’s Flash memory card (code not executed if the signature is not present).

Modifying the program in online mode

As with the Modicon Premium and Quantum platforms (with Unity Pro software), the online program modification function is available on the Modicon M580 automation platform. It has the option of adding or modifying the program code and data in different places in the application in a single modification session (thus helping to ensure that modification is homogenous and consistent with the controlled process). A dedicated memory area of the application internal RAM authorizes these program modification or addition sessions while complying with the recommendation to structure the application program in several, reasonably-sized sections.

The CCOTF (Change Configuration On The Fly) function is used to add or remove discrete or analog I/O modules to/from a Modicon M580 CPU in a local or remote I/O drop in RUN mode. It enables Ethernet RIO drops to be added in RUN mode. The addition of a complete M580 Ethernet RIO drop in RUN mode requires Unity Pro V8.0 or higher on standalone processors and Unity Pro V11.0 or higher on redundant processors.

The CCOTF function avoids interrupting processes and helps to reduce production costs. It also enables the configuration parameters of pre-existing and new Modicon M580 analog and discrete I/O modules to be modified online in both a local or remote I/O drop.

1

PF122512



BMEP58000000

Modicon M580 processors

Local I/O capacity	Maximum number of Ethernet modules	Device ports	Service port	Reference	Weight kg/lb
1,024 discrete I/O 256 analog I/O 24 application-specific channels 4 MB integrated (memory program)	2 Ethernet networks	2 DIO	1	BMEP581020	0.849/ 1.872
2,048 discrete I/O 512 analog I/O 32 application-specific channels 8 MB integrated (memory program)	2 Ethernet networks	2 DIO	1	BMEP582020	0.849/ 1.872
		2 RIO/DIO	1	BMEP582040	0.849/ 1.872
3,072 discrete I/O 768 analog I/O 64 application-specific channels 12 MB integrated (memory program)	3 Ethernet networks	2 DIO	1	BMEP583020	0.849/ 1.872
		2 RIO/DIO	1	BMEP583040	0.849/ 1.872
4,096 discrete I/O 1,024 analog I/O 64 application-specific channels 16 MB integrated (memory program)	4 Ethernet networks	2 DIO	1	BMEP584020	0.849/ 1.872
		2 RIO/DIO	1	BMEP584040	0.849/ 1.872
5,120 discrete I/O 1,280 analog I/O 180 application-specific channels 24 MB integrated (memory program)	6 Ethernet networks	2 RIO/DIO	1	BMEP585040	0.849/ 1.872
6,144 discrete I/O 1,536 analog I/O 216 application-specific channels 64 MB integrated (memory program)	6 Ethernet networks	2 RIO/DIO	1	BMEP586040	0.849/ 1.872

SD memory card

Description	Processor compatibility	Capacity	Reference	Weight kg/lb
SD memory card (optional) (1)	All processors	4 GB (for application backup and data storage)	BMXRMS004GPF	0.002/ 0.004

PF106120



BMXRMS004GPF

Separate parts

Description	Use		Length m/ft.	Reference	Weight kg/lb
	From	To			
Terminal port/ USB cordsets	Mini-B USB port on Modicon M580 processor	Type A USB port on: - PC terminal	1.8/5.905	BMXXCAUSBH018	0.065/ 0.143
		- Magelis HMI graphic terminal	4.5/14.764	BMXXCAUSBH045	0.110/ 0.243

PF106185



BMXXCAUSBH000

(1) Memory card, used for:
 - Backing up the program, constants, symbols, and data
 - File storage

Modicon M580 automation platform

Redundant processor modules

PF151916A



BMEH5800000



BMEH580040K Hot Standby kits

Reference (1)

Modicon M580 redundant processors

Memory capacity	Maximum number of Ethernet modules	Device ports	Service port	Reference	Weight kg/lb
8 MB integrated (memory program)	2 Ethernet networks	2 RIO/DIO	1	BMEH582040	0.849/ 1.872
16 MB integrated (memory program)	4 Ethernet networks	2 RIO/DIO	1	BMEH584040	0.849/ 1.872
64 MB integrated (memory program)	6 Ethernet networks	2 RIO/DIO	1	BMEH586040	0.849/ 1.872

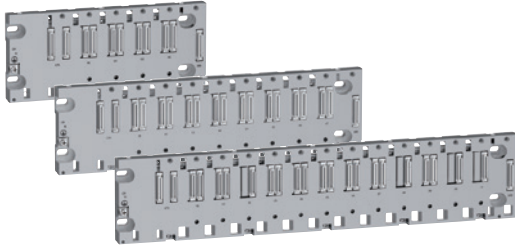
Accessories

Description	Use	Cable medium	Reference	Weight kg/lb
HSBY link SFP socket (one reference for one socket)	To be inserted in pair in 2 BMEH580040 redundant processors	RJ45 copper	490NAC0100	—
	To be inserted in pair in 2 BMEH580040 redundant processors	Single-mode fiber	490NAC0201	—

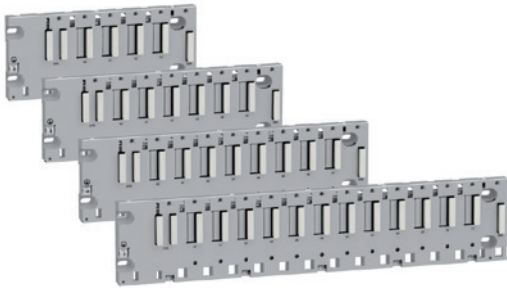
Hot Standby kits

Description	Composition	Reference	Weight kg/lb
Hot Standby kits with 2 HSBY processors and 2 SFP sockets	- 2 BMEH582040 redundant M580 processors - 2 490NAC0100 RJ45 SFP sockets	BMEH582040K	—
	- 2 BMEH584040 redundant M580 processors - 2 490NAC0100 RJ45 SFP sockets	BMEH584040K	—

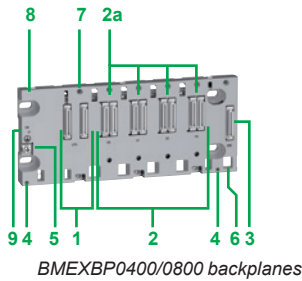
(1) For additional characteristics, see our website www.schneider-electric.com.



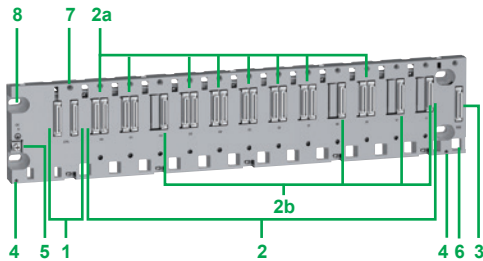
Dual Ethernet and X-bus backplanes



X-bus backplanes (1)(2)



BMEXBP0400/0800 backplanes



BMEXBP1200 backplane

Presentation

The M580 PAC is compatible with 2 types of backplane: dual Ethernet and X-bus backplanes or X-bus only backplanes (1)(2). One Ethernet switch is embedded in the backplane with connectivity to some slots on the backplane (not all slots have Ethernet connectivity).

X-bus functionality is preserved and conforms to the legacy implementation and specification. The X-bus will be used in a subset of modules on the Ethernet backplane.

The M580 backplanes supply power to all modules in the rack.

Function

The Ethernet backplane provides the following services to X-bus slots:

- rack number
- interconnection to all slots in the main and expanded backplanes

The Ethernet interface is the main communication medium in the Ethernet backplane. All Ethernet modules on the Ethernet backplane are attached to one of several ports. The modules connect to the Ethernet switch chip embedded inside the Ethernet backplane.

The Ethernet backplane provides the following services to ETH slots:

- ETH connection to ETH slots
- point-to-point connection

Description

Dual Ethernet and X-bus backplanes

The quantity of X-bus and Ethernet slots found on a backplane depends on the backplane size.

BMEXBP0400/BMEXBP0800 are 4/8-slot dual Ethernet and X-bus backplanes with:

- 1 CPS slot for power supply
- 2 4 slots (**BMEXBP0400**)/8 slots (**BMEXBP0800**) with:
 - 2a 4/8 Ethernet and X-bus connectors for mixed modules
 - 3 Expansion: 1 connector for an X-bus backplane expansion
 - 4 2 attachment points for mounting the shielding connection bar
 - 5 Grounding screw
 - 6 Slots for anchoring the module pin
 - 7 Tapped holes for the locking screw on each module
 - 8 4 holes for M4, M5, M6, or UNC #6-32 screws (4.32 to 6.35 mm/0.170 to 0.250 in.)
 - 9 Rack is fastened to 35 mm/1.38 in. wide and 15 mm/0.59 in. deep DIN rails. Mounting on a 35 mm/1.38 in. wide and 7.5 mm/0.295 in. deep DIN rail is possible (in this case, the product withstands less mechanical stress)

BMEXBP1200 is a 12-slot dual Ethernet and X-bus backplane with:

- 1 CPS slot for power supply
- 2 12 slots with:
 - 2a 8 Ethernet and X-bus connectors for mixed modules
 - 2b 4 X-bus connectors for X-bus modules
 - 3 Expansion: 1 connector for an X-bus backplane expansion
 - 4 2 attachment points for mounting the shielding connection bar
 - 5 Grounding screw
 - 6 Slots for anchoring the module pin
 - 7 Tapped holes for the locking screw on each module
 - 8 4 holes for M4, M5, M6, or UNC #6-32 screws (4.32 mm to 6.35 mm/0.170 to 0.250 in.)

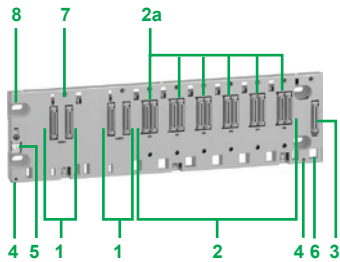
X-bus backplanes (1)(2)

Available with 4, 6, 8, and 12 slots with **BMXXBP0400/0600/0800/1200** for X-bus modules.

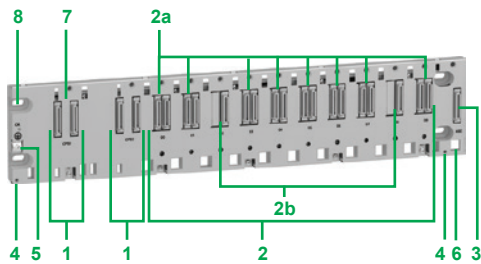
For more information, please refer to the “Modicon X80 I/O platform” catalog available on our website www.schneider-electric.com.

(1) For more information on rack, see page 1/30.

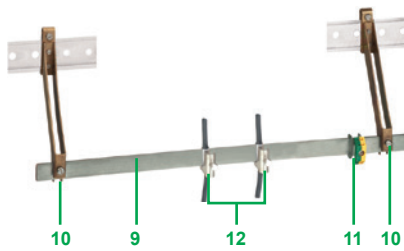
(2) Mandatory PV02 version or later.



BMEXBP0602 backplane



BMEXBP1002 backplane



BMXXSP...00 cable shielding connection kit

Description (continued)

Dual power supply backplanes

BMEXBP0602 is a 6-slot dual Ethernet and X-bus backplane with:

- 1 2 CPS slots for **BMXCPS4002** redundant power supply only
- 2 6 slots with:
 - 2a 6 Ethernet and X-bus connectors for mixed modules
 - 3 Expansion: 1 connector for an X-bus backplane expansion
 - 4 2 attachment points for mounting the shielding connection bar
 - 5 Grounding screw
 - 6 Slots for anchoring the module pin
 - 7 Tapped holes for the locking screw on each module
 - 8 4 holes for M4, M5, M6, or UNC #6-32 screws (4.32 to 6.35 mm/0.170 to 0.250 in.)
- 9 Rack is fastened to 35 mm/1.38 in. wide and 15 mm/0.59 in. deep DIN rails. Mounting on a 35 mm/1.38 in. wide and 7.5 mm/0.295 in. deep DIN rail is possible (in this case, the product withstands less mechanical stress)

BMEXBP1002 is a 10-slot dual Ethernet and X-bus backplane with:

- 1 2 CPS slots for **BMXCPS4002** redundant power supply only
- 2 10 slots with:
 - 2a 8 Ethernet and X-bus connectors for mixed modules
 - 2b 2 X-bus connectors for X-bus modules
 - 3 Expansion: 1 connector for an X-bus backplane expansion
 - 4 2 attachment points for mounting the shielding connection bar
 - 5 Grounding screw
 - 6 Slots for anchoring the module pin
 - 7 Tapped holes for the locking screw on each module
 - 8 4 holes for M4, M5, M6, or UNC #6-32 screws (4.32 to 6.35 mm/0.170 to 0.250 in.)

Cable shielding connection kit

To be ordered separately:

A **BMXXSP...00** cable shielding connection kit, used to help protect against electrostatic discharge when connecting the shielding on cordsets for connecting:

- Analog, counter, and motion control modules
- Some Magelis HMI terminals (1) to the processor (via **BMXXCAUSBH0...00** shielded USB cable)

The **BMXXSP...00** shielding connection kit comprises:

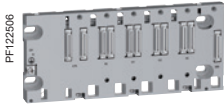
- 9 Metal bar that takes the clamping rings and the earthing terminal
- 10 2 sub-bases to be mounted on the rack
- 11 Grounding terminal
- 12 Not included in the shielding connection kit, the **STBXSP30...00** clamping rings (sold in lots of 10, cross-section 1.5...6 mm²/AWG 16...10 or 5...11 mm²/AWG 10...8)

(1) Please refer to the HMI catalogs on www.schneider-electric.com.

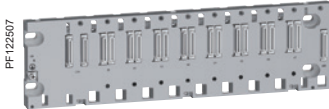
Modicon M580 automation platform

M580 backplanes

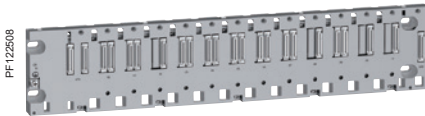
1



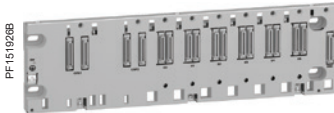
PF122506
BMEXBP0400



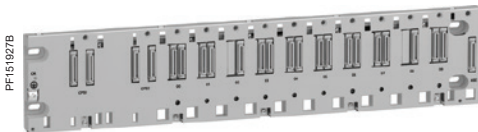
PF122507
BMEXBP0800



PF122508
BMEXBP1200



PF151928B
BMEXBP0602



PF151927B
BMEXBP1002

Racks (1)(2)

Description (3)	Ethernet connectors	X-bus connectors	Power consumption (4)	Reference (1)	Weight kg/lb
4-slot Ethernet + X-bus backplane	4	4	2.8 W	BMEXBP0400	0.705/ 1.554
8-slot Ethernet + X-bus backplane	8	8	3.9 W	BMEXBP0800	1.060/ 2.337
12-slot backplane (8 Ethernet + X-bus/4 X-bus)	8	12	3.9 W	BMEXBP1200	1.377/ 3.036
6-slot dual power Ethernet + X-bus backplane	6	6	3.9 W	BMEXBP0602 (5)	1.377/ 3.036
10-slot dual power backplane (8 Ethernet + X-bus/2 X-bus)	8	10	3.9 W	BMEXBP1002 (5)	1.377/ 3.036

Accessories

Description	For use with	Reference	Weight kg/lb
Shielding connection kits comprising: - 1 metal bar - 2 support sub-bases - 1 grounding terminal	BMEXBP0400, BMXXBP0400 rack	BMXXSP0400	0.280/ 0.617
	BMXXBP0600 rack	BMXXSP0600	0.310/ 0.683
	BMEXBP0800, BMXXBP0800 rack	BMXXSP0800	0.340/ 0.750
	BMEXBP1200, BMXXBP1200 rack	BMXXSP1200	0.400/ 0.882
	BMEXBP0602 rack	BMXXSP0800	0.340/ 0.750
	BMEXBP1002 rack	BMXXSP1200	0.400/ 0.882
Spring clamping rings Sold in lots of 10	Cables, cross-section 1.5...6 mm ² / AWG 16...10	STBXSP3010	0.050/ 0.110
	Cables, cross-section 5...11 mm ² / AWG 10...8	STBXSP3020	0.070/ 0.154
Protective covers (replacement parts) Sold in lots of 5	Unoccupied slots on BMXXBP●●00 rack	BMXXEM010	0.005/ 0.011

(1) In an M580 architecture, Ethernet backplanes can be used as expansion racks, but the connectors can be used only as X-Bus, not Ethernet.

(2) For multi-rack configuration, see page 1/30.

(3) Number of slots including all modules except for power supply rack expansion modules.

(4) Power consumption of anti-condensation resistor(s).

(5) Compatible with redundant power supply modules, not with standalone power supply modules.

Modicon M580 automation platform

Multi-rack configuration



Modicon M580 + expansion rack

Composition of an expansion backplane configuration

M580 CPU supports 4 to 8 local racks (depending upon the CPU performance level), using existing X80 I/O modules and accessories. A Modicon M580 CPU must be installed in the first rack (#0) and this can be a dual bus rack. A Modicon M580 PLC will support up to 7 **BMXXBP●●●●** PV02 or higher backplanes (racks) of 4, 6, 8, or 12 slots. The main backplane (rack #0) will support the CPU.

To expand the configuration using additional racks, users must use a bus expansion module (**BMXXBE1000**) and X-bus cables. The backplane expander will be plugged in the dedicated connector on the right side of the backplane. It will not occupy any module slot. The XBE expansion module will not be hot-swappable in accordance with Modicon X80. Each backplane has to include a power supply module and will support up to 12 modules.

An expansion rack can be connected to the main backplane and the X80 drop (EIO).

The rack address is assigned as follows:

- Each rack will be assigned a physical address using 4 micro switches located in the bus expansion module.
- The main rack containing the CPU will be assigned address 0.
- The other racks will be assigned addresses 1 to 7.

Each rack is equipped with:

- 1 **BMXCPS●●●●●** power supply
- 2 **BMXXBE1000** rack expansion module. This module, inserted in the right-hand end of the rack (XBE slot) does not occupy rack slots 00...11 (4, 6, 8, or 12 slots are still available).
- 3 The **BMXXBE1000** rack expansion modules are connected to each other by X-bus cordsets.
- 4 Line terminators: Both expansion modules at the ends of the daisy chain must have a line terminator **TSXTLYEX** on the unused 9-way SUB-D connector.



Modicon M580 automation platform

Multi-rack configuration

1



Modicon X80 drop + expansion rack

Ethernet racks

The Modicon M580 CPU supports dual bus backplanes (Ethernet and X-bus) and all the processors support Ethernet ring or star architectures on their Ethernet port.

BMXP58●●2● processors support Ethernet star or ring architectures (RSTP loop is supported on ports 2 and 3). The embedded scanner allows scanning of distributed equipment. The CPU drives these devices directly ("NOC" embedded function).

BMXP58●●4● processors support an embedded scanner that allows scanning of X80 drops on Ethernet RIO (EIO) in addition to distributed equipment.

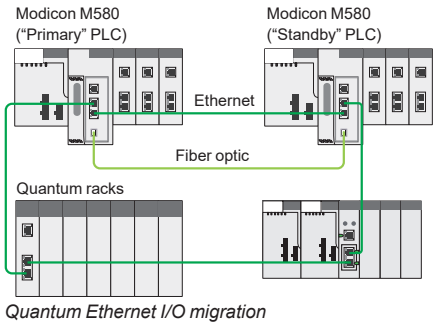
M580 CPUs have an additional third Ethernet port dedicated to the connection of a service tool such as a PC, HMI, or network analyzer. This port is labeled "01 Service". It does not support RSTP.

M580 CPUs can communicate on the main Ethernet backplane. The Modicon M580 CPU cannot be installed in an expansion rack.

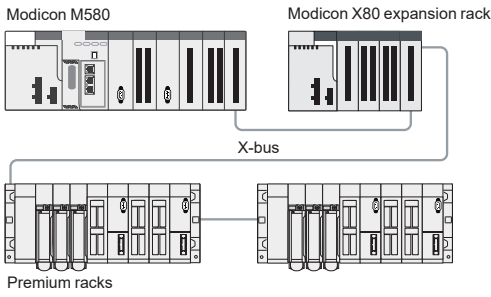
Reference	Description
BMEXBP0400	Standard 4-slot backplane
BMEXBP0800	Standard 8-slot backplane
BMEXBP1200	Standard 12-slot backplane
BMEXBP0602	Dual power supply 6-slot backplane
BMEXBP1002	Dual power supply 10-slot backplane
BMEXBP0400H	Ruggedized 4-slot backplane
BMEXBP0800H	Ruggedized 8-slot backplane
BMEXBP1200H	Ruggedized 12-slot backplane
BMEXBP0602H	Ruggedized dual power supply 6-slot backplane
BMEXBP1002H	Ruggedized dual power supply 10-slot backplane

Modicon M580 automation platform

Multi-rack configuration



Quantum Ethernet I/O migration



Premium X-bus expansion example

Quantum Ethernet I/O migration

Modicon M580 processors, level 4 and above (**BMEP584040**, **BMEP585040**, **BMEP586040**), support Quantum I/O using the Quantum Ethernet remote drop adapter **140CRA31200**. The number of remote I/O drops allowed (up to 31) depends on the M580 processor model.

The Quantum Ethernet drop is configured with Unity Pro software. Each Quantum I/O can be configured using the X80 I/O model (Device DDT) or Quantum model ("State RAM": %I, %IW, %M, %MW) to simplify the reuse of legacy applications. The compatibilities of Quantum I/O in an Ethernet Quantum drop are identical to a Quantum processor based architecture. For more information, please refer to page 1/18.

In addition, the Modicon LL984 legacy language is supported by some CPU models (see pages 1/20 and 1/21).

Premium X-bus expansion - making migration as simple as possible

Modicon M580 CPU supports revamping of an existing Premium installation by replacing the Premium rack 0 (CPU and communication modules) with an M580 rack. It is also possible to associate **TSXRKY4EX/6EX/8EX/12EX** Premium racks with X80 I/O based on an X-bus rack. Most existing configurations are supported. The number of expansion racks allowed depends on the CPU that is being used:

- **BMEP581020**, **BMEP582020**, **BMEP582040**, **BMEP585040**, and **BMEP586040** CPUs support a main local rack and up to 3 expansion racks. If you are using 4, 6, or 8-slot Premium expansion racks, you may install 2 physical racks at each assigned rack address, allowing up to 6 Premium expansion racks (up to 6 backplanes and 100 m/328.083 ft. between 2 drops).

- **BMEP583020**, **BMEP583040**, **BMEP584020**, and **BMEP584040** CPUs support a main local rack with up to 7 expansion racks. If you are using 4, 6, or 8-slot Premium expansion racks, you may install 2 physical racks at each assigned rack address, allowing up to 14 Premium expansion racks.

The maximum number of supported X-bus racks is as follows:

- 4 for **BMEP581020/20●0**
- 8 for **BMEP58030●0/40●0**

The maximum number of X-bus drops is calculated as follows:

Max number = 1 (CPU rack: **BMXXBP●●00** or **BMEXBP●●00**)
 + ½ number of **TSXRKY4/6/8EX** racks
 + number of **TSXRKY12EX** racks
 + number of **BMXXBP●●00** racks

Description

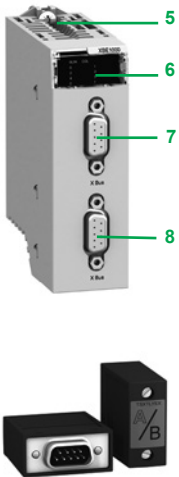
The front panel of the **BMXXBE1000** rack expansion module comprises:

- 5 Retaining screw for locking the module in its slot (at the far right-hand end of the rack)
- 6 Display block with 5 LEDs:
 - RUN LED (green): module in operation
 - COL LED (red): several racks have the same address, or rack address 0 does not contain the **BMEP58●●●0** processor module
 - LEDs 0, 1, 2, and 3 (green): rack addresses 0, 1, 2, or 3
- 7 9-way female SUB-D connector, marked X-bus, for the incoming X-bus cordset **3** connected to the upstream rack, or if it is the first rack, for the **A/** line terminator included in the **TSXTLYEX 4** pack (see page 1/35)
- 8 9-way female SUB-D connector, marked X-bus, for the outgoing X-bus cordset **3** to the downstream rack, or if it is the last rack, for the **B/** line terminator included in the **TSXTLYEX 4** pack (see page 1/35)

On the right-hand side panel

A flap for accessing the 3 rack addressing micro-switches: 0...3

Installation rules for BMXXBP●●●0 racks: For the rules on how to install racks in enclosures, see our website www.schneider-electric.com.

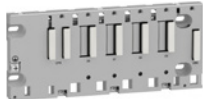


Modicon M580 automation platform

Multi-rack configuration

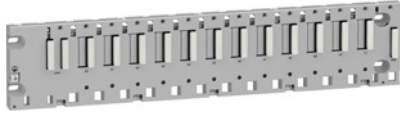
1

PF122667



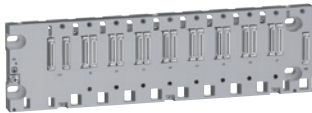
BMXXBP0400

PF122670



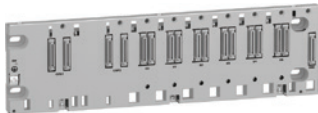
BMXXBP1200

PF122507



BMEXBP0800

PF151928B



BMEXBP0602

PF108119



BMXXBE1000

Expansion racks

Description	Type of module to be inserted	No. of slots (1)	Power consumption (2)	Reference	Weight kg/lb
X-bus backplanes for expansion racks (3)	Modicon X80 I/O modules (3)	4	1 W	BMXXBP0400	0.630/ 1.389
		6	1.5 W	BMXXBP0600	0.790/ 1.742
		8	2 W	BMXXBP0800	0.950/ 2.094
		12	0.74 W	BMXXBP1200	1.270/ 2.800

Ethernet + X-bus backplanes for expansion racks (4)	Modicon X80 I/O modules (3)	4	2.8 W	BMEXBP0400	0.705/ 1.554
		8	3.9 W	BMEXBP0800	1.060/ 2.337
		12	3.9 W	BMEXBP1200	1.377/ 3.036

Dual power supply Ethernet + X-bus backplanes for expansion racks (4)	Modicon X80 I/O modules (3)	6	3.9 W	BMEXBP0602	1.377/ 3.036
		10	3.9 W	BMEXBP1002	1.377/ 3.036

Description	Use	Reference	Weight kg/lb
Modicon X80 I/O rack expansion module (3)	Standard module for mounting in each rack (XBE slot) and used to interconnect: - Up to 3 racks with BMEP581020/20●●●● processor module - Up to 7 racks with BMEP5830●●/40●● processor module - 1 rack with X80 drop (EIO)	BMXXBE1000	0.178/ 0.392
Modicon X80 I/O rack expansion kit (3)	Complete kit for 2-rack configuration comprising: - 2 BMXXBE1000 rack expansion modules - 1 BMXXBC008K extension cordset, length 0.8 m/2.625 ft. - 1 TSXTLYEX line terminator (set of 2)	BMXXBE2005	0.700/ 1.543

(1) Number of slots taking all modules except for power supply and rack expansion modules

(2) Power consumption of anti-condensation resistor(s)

(3) Please refer to the "Modicon X80 I/O platform" catalog on www.schneider-electric.com.

(4) The Ethernet slots cannot be used in expansion racks, so each of the slots should be set as X-bus.



BMXXBC●●●K

Cordsets and connection accessories

Description	Use	Composition	Type of connector	Length m/ft.	Reference	Weight kg/lb
X-bus extension cordsets total length 30 m/98.425 ft. max.	Between 2 BMXXBE1000 rack expansion modules	2 x 9-way SUB-D connectors	Angled	0.8/2.625	BMXXBC008K	0.165/ 0.364
				1.5/4.921	BMXXBC015K	0.250/ 0.551
				3/9.842	BMXXBC030K	0.420/ 0.926
				5/16.404	BMXXBC050K	0.650/ 1.433
				12/39.37	BMXXBC120K	1.440/ 3.175
Straight				1/3.281	TSXCBY010K	0.160/ 0.353
				3/9.842	TSXCBY030K	0.260/ 0.573
				5/16.404	TSXCBY050K	0.360/ 0.794
				12/39.37	TSXCBY120K	1.260/ 2.778
				18/59.05	TSXCBY180K	1.860/ 4.101
				28/91.86	TSXCBY280KT (1)	2.860/ 6.305

Cable reel	Length of cable to be equipped with TSXCBYK9 connectors	Cable with ends with flying leads, 2 line testers	–	100/328.08	TSXCBY1000	12.320/ 27.161
-------------------	---	---	---	------------	-------------------	-------------------

Description	Use	Composition	Type of connector	Sold in lots of	Unit reference	Weight kg/lb
Line terminators	Required on the 2 BMXXBP●●●0 modules located at either end of the daisy chain	2 x 9-way SUB-D connectors marked A/ and /B		2	TSXTLYEX	0.050/ 0.110
X-bus straight connectors	For TSXCBY1000 cables	2 x 9-way SUB-D straight connectors		2	TSXCBYK9	0.080/ 0.176
Connector assembly kit	For attaching TSXCBYK9 connectors	2 crimping pliers, 1 pen (2)		–	TSXCBYACC10	–

(1) Cable supplied with a set of 2 TSXTVSY100 electrical transient suppressors.

(2) To fit the connectors on the cable, you also need a wire stripper, a pair of scissors, and a digital ohmmeter.



TSXTLYEX

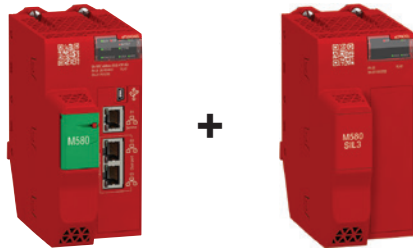
Modicon M580 Automation Platform

M580 Safety Standalone

1

Modicon M580 platform for Unity Pro software offer

BMEP584040S Safety CPU + BMEP58CPROS3 coprocessor (1)



Racks	Maximum number of local racks Remote I/O drop of 2 racks	8 16
I/O	Maximum number of discrete local I/O channels (2)	4,096
	Maximum number of analog local I/O channels (2)	1,024
	Maximum number of Ethernet DIO devices	61
In-rack application-specific channels	Maximum number of application-specific channels	144
	Counter (2)	
	Motion control (2)	
	Serial link (process or RTU) (2)	
	HART(2)	
	SSI encoder (2)	
	Time stamping (2)	
	Frequency input (2)	
	Process control, programmable loops	
Integrated communication ports	Ethernet service port (RJ45)	1 port for DIO devices, Unity, CNM, HMI, SCADA, diagnostics, and external tools
	Ethernet device network dual ports (RJ45)	2 ports support both RIO and DIO scanner
	USB port	1 programming port (PC terminal)
Communication modules	Ethernet network	4
	Maximum number	
Internal memory capacity (3)	Program process (MB)	16
	Data process (KB)	2,048
	Program safe (MB)	4
	Data safe (KB)	1,048
	Configurable HSBY transfer data (KB)	No
	Data storage (GB)	4
Application structure	Safe task	1 processing mode (periodic)
	Master task	2 processing modes (cyclic, periodic)
	Fast task	1 processing mode (periodic)
	Auxiliary tasks (AUX 0, AUX 1)	1 processing mode (periodic)
	Event tasks	I/O event Timer event Total I/O and Timer event
No. of K instructions executed per ms	100% Boolean (Kinstr/ms)	40
	65% Boolean + 35% fixed arithmetic (Kinstr/ms)	30
Product compatibility with Quantum	Support of Ethernet remote I/O	Yes
	LL984 Editor	Yes
Conformal coating		Yes
Rack power supply		100...240 V ~ power supply module

(1) The coprocessor is mandatory.
 (2) The maximum values for the number of I/O, application-specific channels, and the number of networks are not cumulative.
 (3) 4 MB configurable retained data can be saved on a power cycle.

Product type	X80 module reference	Short description of X80 module	M580 Safety standalone				
			Local rack with safety CPU & Coprocessor	X80 drops on Ethernet Remote I/O			
			X-bus + Ethernet rack BMEXBP●●●● mandatory for Safety CPU & Coprocessor	X-bus rack BMXXBP●●●●		X-bus + Ethernet rack	
				BMXCRA31200	BMXCRA31210	BMECRA31210	
Safety power supplies	BMXCPS4002S	Redundant safety power supply					
Safety I/Os	BMXSAI0410	Safety analog input					
	BMXSDI1602	Safety digital input					
	BMXSDO0802	Safety digital output					
	BMXSRA0405	Safety relay output					

Compatible Not compatible

Note: All X80 safety modules are compatible with the Modicon M580 Safety ePAC only.

Modicon M580 Automation Platform

M580 Safety Standalone

1



Modicon M580 Safety configuration with a mix of standard X80 & Safety I/O

Presentation

Overview

The Modicon M580 Safety is a M580 programmable automation controller (PAC) with embedded safety modules and functions. A standalone PAC includes a single CPU with a safety coprocessor that is mandatory for dual execution.

It is based on the X80 platform, and the Unity Pro environment:

- M580 safety CPU and coprocessor (SIL3)
 - Redundant safety power supplies
 - Safety local and remote I/Os
 - Safety communications
 - Software libraries for process and machine safety
- X80 safety modules are compatible with the M580 safety only.

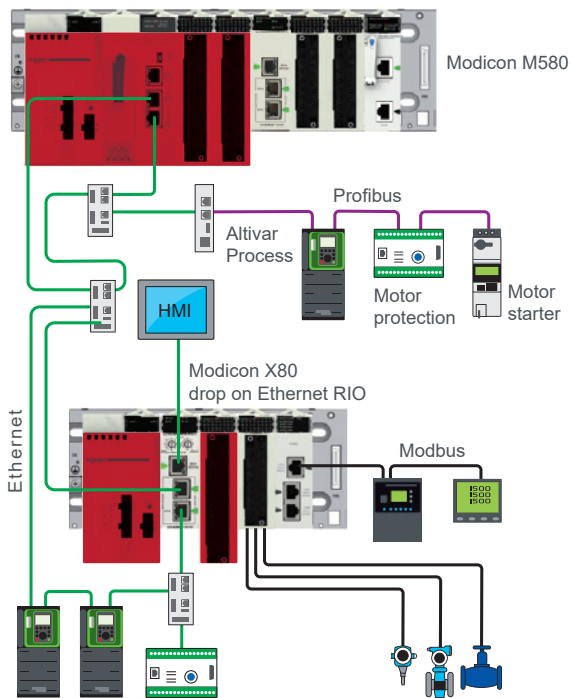
Architecture

The M580 Safety PAC is a safety-related system certified by TÜV Rheinland for use in applications up to SIL3 (safety integrity level 3).

The Modicon M580 Safety ensures safe operation while optimizing costs.

The Modicon M580 Safety allows to mix architectures:

- Manage both safety and non-safety applications
- Separate safety and process control
- Integrate process and machine safety functions



Modicon M580 safety topology

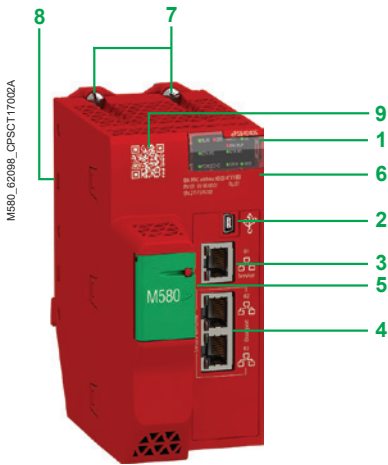
Safety level

The Modicon M580 Safety improves system reliability thanks to a unique combination between a built-in cybersecurity and safety features:

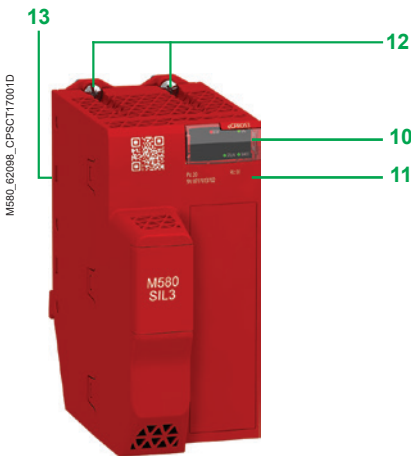
- Safe memory isolation cells
- Online error code correction
- Watch dog safe
- Clock monitoring
- Safe application executed in a dedicated core
- Memory isolation controlling access to safe and non-safe memory
- Safety memory different from the standard CPU

Any failure in the standard application does not impact the safety application.

SIL3 is achieved by the double execution of the safety application, using both the BM58040S processor and the BM580C3 coprocessor.



BMEP584040S



BMEP58CPROS3



BMEP584040S

Description of M580S Processor and Coprocessor

Description of BMEP584040S Processor

The BMEP584040S processor includes

- 1 Display block comprising 8 LEDs whose varying combinations provide a quick diagnostic status of the processor:
 - RUN LED (green): processor in operation (program execution)
 - ERR LED (red): processor or system detected error
 - I/O LED (red): detected I/O module error
 - DL LED (green): firmware download in progress
 - BACKUP LED (red): backup memory (internal or card)
 - ETH MS LED (bi-color green/red): indicates the Ethernet port configuration status
 - ETH NS LED (bi-color green/red): indicates the Ethernet connection status
 - FORCED I/O (bi-color green/red): I/O status forced by the processor
- 2 Mini-B USB port for connecting to a programming terminal
- 3 RJ45 Ethernet port that allows diagnosis of Ethernet ports and provides access to external tools, devices, and distributed I/O devices
- 4 Dual RJ45 Ethernet ports for connection to the remote I/O drops (EIO) and distributed equipment (through DRS) (1)
- 5 Slot equipped with an optional SD memory card for application and data storage: an LED, located behind the door, indicates access to the memory card) (2)
- 6 Printed serial number, product version, and MAC address on the front panel of the processor
- 7 2 hooks and 2 screws for mechanical attachment and grounding connection to backplane
- 8 2 connectors for electrical connection to an M580 backplane (X-bus and Ethernet backplane)
- 9 QR code that allows access to the product datasheet

Description of BMEP58CPROS3 Coprocessor

The coprocessor is mandatory with the safety processor. The **BMEP58CPROS3** coprocessor includes

- 10 Display block comprising 2 LEDs whose combinations provide a quick diagnostic status of the coprocessor:
 - ERR LED (red): coprocessor or system detected error
 - DL LED (green): firmware download in progress
- 11 Printed serial number and product version on the front panel of the co-processor
- 12 2 hooks and 2 screws for mechanical attachment and grounding connection to backplane
- 13 2 connectors for electrical connection to an M580 backplane (X-bus and Ethernet backplane)

References

Modicon M580 processors

Local I/O capacity	Maximum number of Ethernet modules	Device ports	Service port	Reference	Weight kg/lb
4,096 discrete I/O 1,024 analog I/O 64 application-specific channels 16 MB integrated (memory program)	4 Ethernet networks	2 RIO/DIO	1	BMEP584040S	0.849/ 1.872
				BMEP58CPROS3	0.849/ 1.872

(1) DRS: Dual ring switches. Supported ConneXium switches **TCSESM083F23F1/063F2CU1/063F2CS1**

(2) The **BMEP584040S** has a door, which can be locked to prevent theft of the SD card.

Architectures

- Overview of I/O architectures* page 2/2
- Presentation page 2/6
- Local I/O architecture page 2/7
- Fieldbuses integrated architecture page 2/8
- Distributed I/O architecture page 2/9
- Remote I/O architecture page 2/10
- Modicon X80 performance EIO adapter page 2/11
- Modbus/TCP and EtherNet/IP network module page 2/12
- Modicon X80 NRP EIO drop optical repeaters page 2/13
- Ethernet network option switch page 2/13
- ConneXium managed switches page 2/14
- Example of a complex architecture page 2/15
- References and requirements page 2/16

High Availability Architectures

- Presentation page 2/20
- Example of a complex architecture page 2/21
- References page 2/22

Examples of architectures

- Application in Food & Beverage segment page 2/24
- Application in Water & Waste Water segment page 2/25
- Application in Medium Hydro Power segment page 2/26
- Application in Mining, Mineral & Metals segment page 2/27
- Application in Infrastructures segment page 2/28
- Application in Oil & Gas segment page 2/29

Modicon distributed I/O solutions

- Selection guide* page 2/30
- Presentation page 2/32
- Description, references page 2/33
- Composition page 2/34
- Configuration page page 2/35

Modicon M580 automation platform

Standard I/O architectures

Modicon M580 type of architecture
 Note: These architectures can be combined with each other

Architectures with local racks (main rack and expansion racks)	
Hardwired	Distributed peripherals over fieldbuses
Compact topology with devices hardwired on local I/O	Compact topology with devices distributed over fieldbuses
Local I/O architecture	Fieldbuses integrated architecture



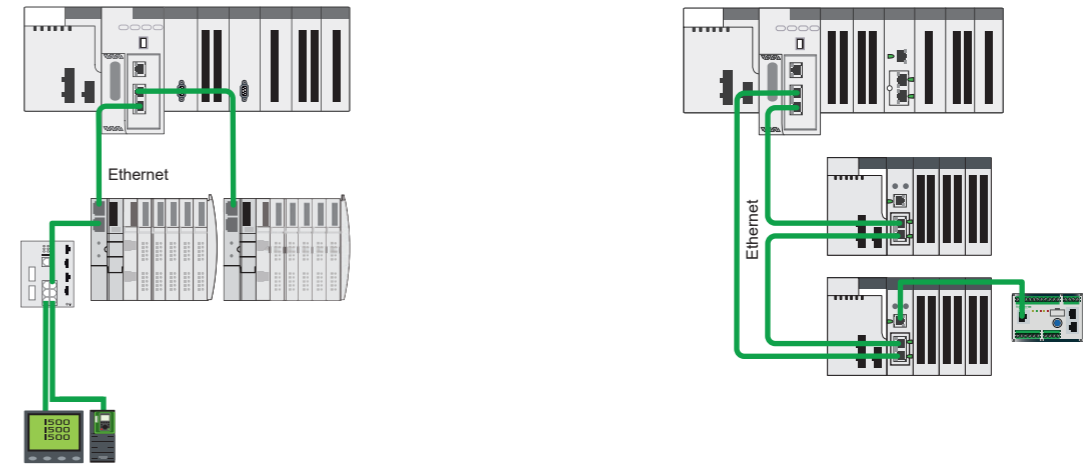
Expanded rack (with X-bus rack expansion module)

Backplane compatibility	BMEXBP●●00 Ethernet + X-bus racks BMXXBP●●00 X-bus racks PV02 (or later)
Compatible CPU types	All standalone processors are compatible (1)
CPU Ethernet ports	SERVICE port Dual port
RIO drops	–
Communication	AS-Interface and serial link modules BMXNOR0200H RTU module Ethernet modules
Expert functions	PTO (Pulse Train Output) modules Other expert modules: counter, SSI encoder, etc.
Time stamping	1 ms max. BMXERT1604T module integrated in the ERT module 10 ms with BMXCRA31210 combined with discrete I/O modules in the RIO drop
Pages	2/7

Main local rack with up to 7 local expansion racks on X-bus (Modicon Premium or Modicon X80 racks)	
Compatible for main racks (local or remote)	
Mandatory for expansion racks (main or remote) Compatible with any rack provided that no Modicon X80 I/O Ethernet modules (such as weighing, HART, and BMXCRA31210 modules), are used in the racks	
One SERVICE port for HMI, Unity, control network, variable speed drive, etc. Dual ports are not used	
–	
Yes	Yes
Yes	Yes
Yes	Yes
Yes	Yes
Yes	Yes
Yes	Yes
Yes	Yes
–	–
2/7	2/8

(1) BMEP58●●40 CPUs are not mandatory.
 (2) BMXCRA31210 modules are also compatible.

Architecture with local racks (main rack and expansion racks)	Architecture with racks in remote drops
Distributed peripherals and I/O over Ethernet	Remote over Ethernet
Distributed devices and I/O topology over Ethernet	Remote I/O + remote functions (including fieldbus master)
Distributed I/O architecture	Remote I/O architecture



Main local rack with up to 7 local expansion racks on X-bus (Modicon Premium or Modicon X80 racks)

Compatible for main racks (local or remote)	
Mandatory for expansion racks (main or remote) Compatible with any rack provided that no Modicon X80 I/O Ethernet modules (such as weighing, HART, and BMXCRA31210 modules), are used in the racks	
All standalone processors compatible (1) One SERVICE port for HMI, Unity, control network, variable speed drive, etc. Dual ports are used for distributed equipment (DIO scanner)	
–	
Yes	Yes
Yes	Yes
Yes	Yes
Yes	Yes
Yes	Yes
Yes	Yes
Yes	Yes
–	–
2/9	2/10

Main local rack with up to 7 local expansion racks on X-bus (Modicon Premium or Modicon X80 racks), RIO drop with up to 1 remote expanded rack on X-bus (only Modicon X80 racks)

Compatible for main racks (local or remote)	
Mandatory for expansion racks (main or remote) Compatible with any rack provided that no Modicon X80 I/O Ethernet modules (such as weighing, HART, and BMXCRA31210 modules), are used in the racks	
All standalone processors compatible (1) One SERVICE port for HMI, Unity, control network, variable speed drive, etc. Dual ports are used for remote equipment (RIO scanner), BMXCRA31210 Ethernet drop adapter is mandatory in RIO drop (2)	
–	
Yes	Yes
Yes	Yes
Yes	Yes
Yes	Yes
Yes	Yes
Yes	Yes
Yes	Yes
–	Yes, only in the RIO drop, system mode with OFS (2)
2/9	2/10

(1) BMEP58●●40 CPUs are required to manage RIO
 (2) BMXCRA31210 Ethernet drop adapter is mandatory in RIO drop

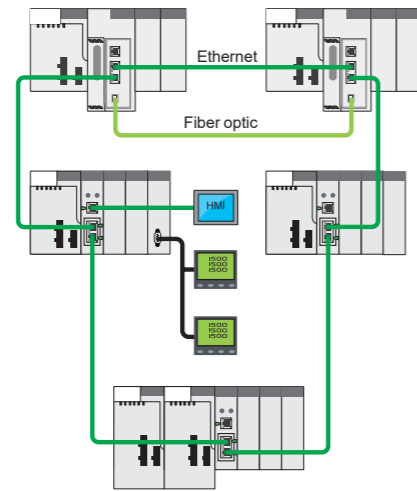
Modicon M580 automation platform

High availability I/O architecture

Modicon M580 type of architecture

High-availability architectures for remote I/O (primary CPU and redundant CPU)

- Remote over Ethernet
- Hot Standby topology with devices hardwired on remote I/O over Ethernet
- Remote I/O architecture



Expanded rack (with X-bus rack expansion module)

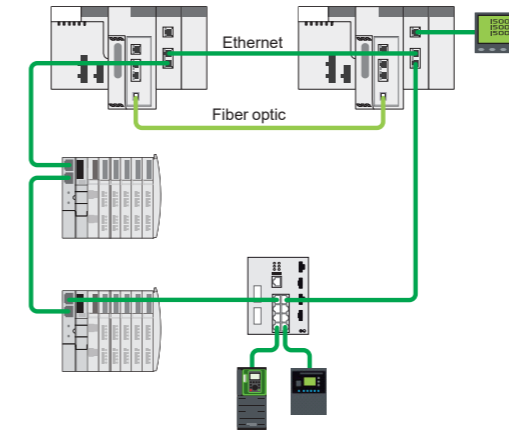
Backplane compatibility	BMEXPBP000 Ethernet + X-bus racks BMXXBP000 X-bus racks PV02 (or later)
Compatible CPU types	
CPU Ethernet ports	SERVICE port Dual port
RIO drops	
Communication	AS-Interface and serial link modules BMXNOR0200H RTU module Ethernet modules
Expert functions	PTO (Pulse Train Output) modules Other expert modules: counter, SSI encoder, etc.
Time stamping	1 ms max. BMXERT1604T module integrated in the ERT module 10 ms with BMECRA31210 combined with discrete I/O modules in the RIO drop
Pages	2/20

No local I/O on high-availability architecture	Compatible for main racks (only remote)
Mandatory for expansion racks (main or remote) Compatible with any rack provided that no Modicon X80 I/O Ethernet modules (such as weighing, HART, and BMECRA31210 modules), are used in the racks	All redundant processors are compatible
One SERVICE port for HMI, Unity, control network, variable speed drive, etc.	One SERVICE port for HMI, Unity, control network, variable speed drive, etc.
Dual port are used for remote equipments	Dual port are used for remote equipments
A maximum of 16 RIO drops can be supported in an M580 network	A maximum of 16 RIO drops can be supported in an M580 network
Yes	Yes
Yes	Yes
Yes	Yes
No	No
Yes, in a RIO drop	Yes, in a RIO drop
Yes, in a RIO drop	Yes, in a RIO drop
Yes, only in the RIO drop, system mode with OFS (1)	Yes, only in the RIO drop, system mode with OFS (1)
2/20	2/20

(1) BMXCRA31210 modules are also compatible.

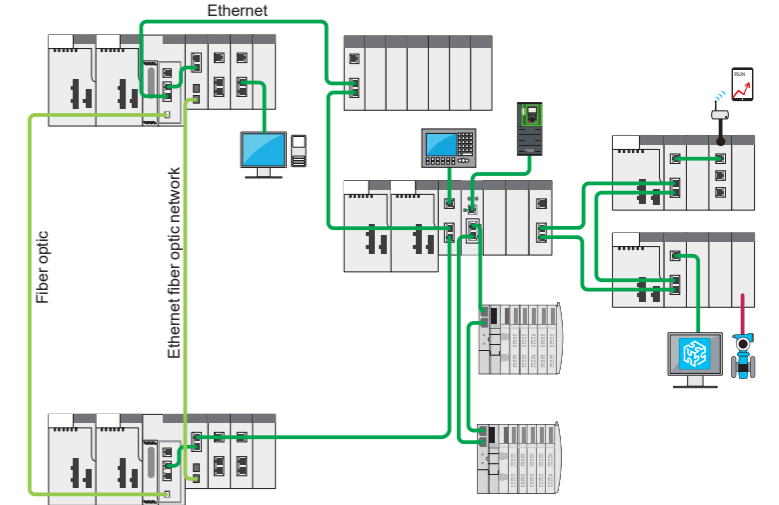
High-availability architectures for distributed I/O (primary CPU and redundant CPU)

- Distributed over Ethernet
- Hot Standby topology with devices linked to distributed I/O over Ethernet
- Distributed I/O architecture



High-availability architectures for Hybrid I/O (primary CPU and redundant CPU)

- Distributed and remote I/O over Ethernet
- Hot Standby topology with devices available on distributed and remote I/O over Ethernet
- Mixed RIO/DIO architecture



No local I/O on high-availability architecture	Compatible for main racks (only remote)
Mandatory for expansion racks (main or remote) Compatible with any rack provided that no Modicon X80 I/O Ethernet modules (such as weighing, HART, and BMECRA31210 modules), are used in the racks	All redundant processors are compatible
One SERVICE port for HMI, Unity, control network, variable speed drive, etc.	One SERVICE port for HMI, Unity, control network, variable speed drive, etc.
Dual ports are used for distributed equipment (DIO scanner)	Dual ports are used for remote equipment (RIO scanner), BMECRA31210 Ethernet drop adapter is mandatory in RIO drop (2)
-	A maximum of 16 RIO drops can be supported in an M580 network
Yes	Yes, in a local rack or in a RIO drop
Yes	Yes, only in a local rack
Yes	Yes, only in a local rack
No	No
No	Yes, in a RIO drop
Yes	Yes, in a RIO drop
-	Yes, only in the RIO drop, system mode with OFS (1)
2/20	2/20

Presentation

The Modicon M580 automation platform offers 4 different types of architecture with local racks or with racks in remote drops. These 4 options are presented on the following pages.

The Modicon M580 automation platform offers an I/O architecture solution over local racks, fieldbuses, and Ethernet, connecting the M580 main rack to remote I/O (RIO) drops, installed on a Modicon X80 rack (1), and distributed I/O (DIO) devices.

This Modicon M580 solution comprises:

- RIO drops on a Modicon X80 drop
- Ethernet DIO devices
- A choice of 3 CRA Ethernet drop adapters (standard or high performance) in each Modicon X80 RIO drop
- 2 fiber optic repeaters, for single-mode or multimode optical fiber, on Modicon X80 RIO drop
- A choice of 3 types of managed dual ring switches (DRS) from the ConneXium offer (2), configurable by means of predefined configuration files for immediate setup

Different architectures are therefore possible, such as:

- Ethernet RIO architectures with or without ConneXium managed switches (2)
- Architectures with separate or combined Ethernet RIO and Ethernet DIO devices on the same physical medium

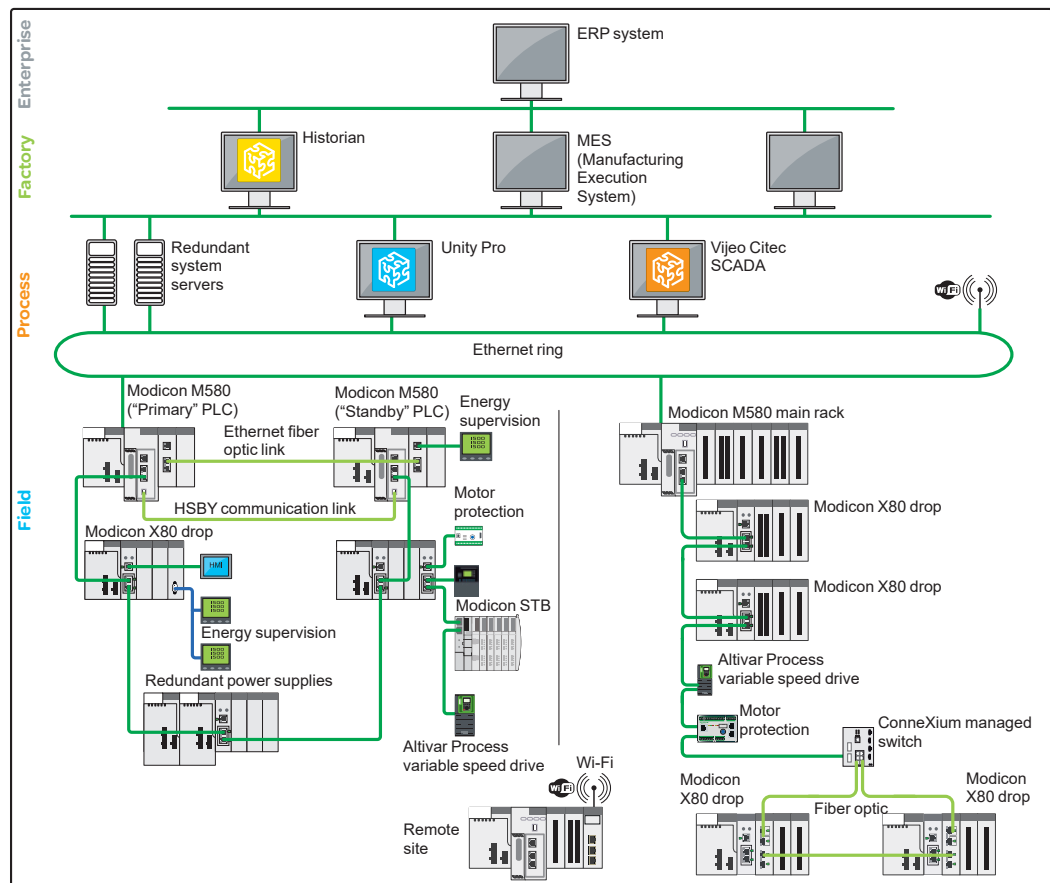
This solution also includes numerous options and functions as standard, providing:

- High process availability, with the option of connecting Ethernet RIO and Ethernet DIO in a daisy chain loop
- Deterministic data exchanges between the PLC and the Ethernet RIO
- Remote service, with a SERVICE port available on the M580 CPU or Modicon X80 CRA Ethernet drop adapters

Note

■ The validated and tested architectures are shown in the technical documentation available on our website www.schneider-electric.com.

■ The use of switches other than those detailed in these architecture I/O pages (pages 2/6 to 2/19) is not supported (2).

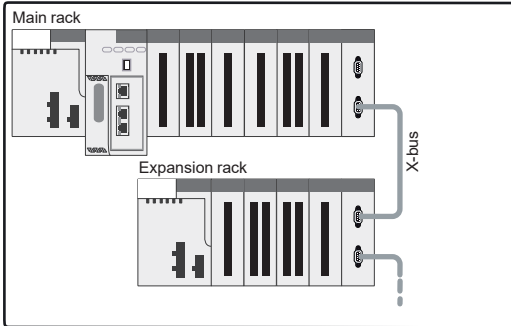


Typical architecture (3)

(1) The Modicon X80 range offers common I/O modules that can be used in Ethernet RIO drops connected in Modicon M580 automation platforms.

(2) Supported ConneXium switches: TCSESM083F23F1/063F2CU1/063F2CS1 (see page 2/14).

(3) This typical architecture representation is a conceptual network diagram and does not represent the actual wiring specifications.



Local I/O architecture: devices on local I/O

Presentation

Local I/O architecture is used for control systems that reside in the main control cabinet.

The M580 platform provides interrupt services for this type of application.

Up to 94 slots are possible for I/O modules in a configuration comprising a main rack and 7 expansion racks, connected by **BMXXBE000** rack expansion modules.

Description

The Modicon M580 automation platform provides local I/O management for control systems that are wired to the main control cabinet.

Local I/O architecture can comprise a maximum of 10 I/O modules in the main rack, in addition to the CPU module **1** and the power supply module **2**.

These local I/O can be extended on an expansion rack by using a **BMXXBE000** rack expansion module **3**.

Ethernet slots are available only in the main rack because rack expansion cables only support X-bus.

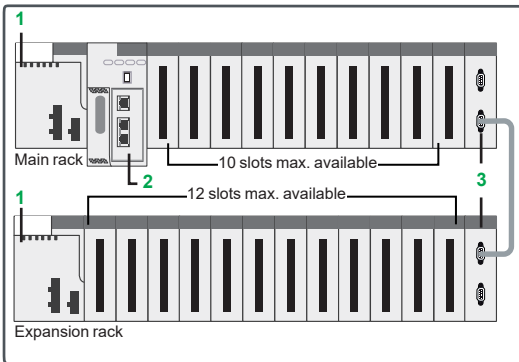
The choice of appropriate rack depends on the required number of modules for the system. Main racks are available in the following formats: 4, 8, and 12 slots.

As well as discrete and analog I/O modules, the following modules are available:

- Application-specific modules:
 - SSI encoder
 - Counter
 - Pulse train output
 - Weighing

Some application-specific modules (weighing, etc.) require use of an Ethernet backplane.

If necessary, communication and network modules can be installed in the local rack. The majority of communication and network modules need to be in the local rack.



For rack accessory references, see page 1/31

Local I/O architecture configuration rules

When configuring an local I/O architecture system, the following 4 parameters should be considered:

- Number of slots available in the 8 local racks (main and expansion racks)
- Slots available for optional modules
- Power consumed by the installed modules
- Addressing words available for configuring the modules

Available slots and power consumption

The local I/O architecture can have a maximum of 94 available slots (with eight 12-slot racks) for I/O modules, application-specific modules, and communication modules.

These modules are powered from the power supply included in the rack.

For a valid configuration, simply add together the consumption (in mA) of the modules in the rack and check that the total current is less than that provided by the selected power supply.

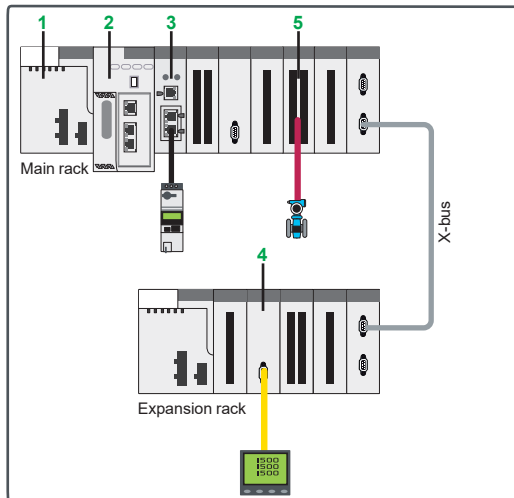
This power consumption calculation can easily be performed using Unity Pro software.

Empty **BMXXEM010** modules are also available to occupy unused slots.

Module addressing (1)

With Unity Pro, the I/O addressing is unlimited (physical limitation: 94 slots).

(1) Requires Unity Pro software V8.0.



Integrated fieldbus architecture: devices distributed over fieldbuses

Presentation

The integrated fieldbus architecture is based on local I/O architecture with the possibility of adding fieldbuses such as AS-Interface, Modbus SL, HART, etc.

This kind of architecture is used for control systems that are wired to the main control cabinet.

It consists of a mainly local topology with several peripherals distributed over fieldbuses.

The Modicon M580 automation platform provides interrupt services for this type of application.

Up to 94 slots are possible for I/O and communication modules in a configuration comprising a main rack and 7 expansion racks, connected by **BMXXBE●00●** rack expansion modules.

Description

The Modicon M580 automation platform provides local I/O management for control systems that are wired to the main control cabinet.

The integrated fieldbus architecture can comprise a maximum of 10 I/O and communication modules in the main **BMEXBP●●00** rack, in addition to the CPU module **2** and the power supply module **1**. These local I/O and communication modules can be extended on expansion racks by using a **BMXXBE●00●** rack expansion module.

The choice of appropriate racks depends on the required number of modules for the system. Main racks are available in the following formats: 4, 8, and 12 slots.

If necessary, communication and network modules can be installed in the main rack. The majority of communication and network modules need to be in the main rack.

As well as discrete and analog I/O modules, the following modules are available:

- Communication modules:
 - Serial link **3**
 - AS-Interface **4**
 - HART **5**

Some communication modules (Modbus/TCP and EtherNet/IP network module, HART analog I/O modules, etc.) require use of an Ethernet backplane.

Integrated fieldbus architecture configuration rules

When configuring an integrated fieldbus architecture system, the following 4 parameters should be considered:

- Number of slots available in the 8 local racks
- Slots available for optional modules
- Power consumed by the installed modules
- Addressing words available for configuring the modules

Available slots and power consumption

The integrated fieldbus architecture can have a maximum of 94 available slots (with eight 12-slot racks) for I/O modules, application-specific modules, and communication modules.

These modules are powered from the power supply included in the rack.

For a valid configuration, simply add together the consumption (in mA) of the modules in the rack and check that the total current is less than that provided by the selected power supply.

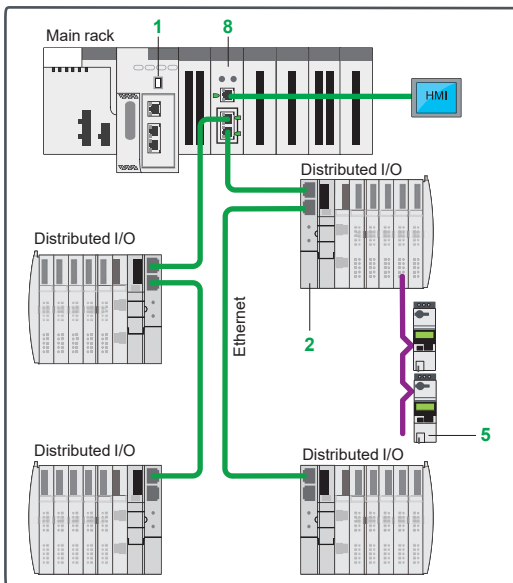
This power consumption calculation can easily be performed using Unity Pro software.

Empty **BMXXEM010** modules are also available to occupy unused slots.

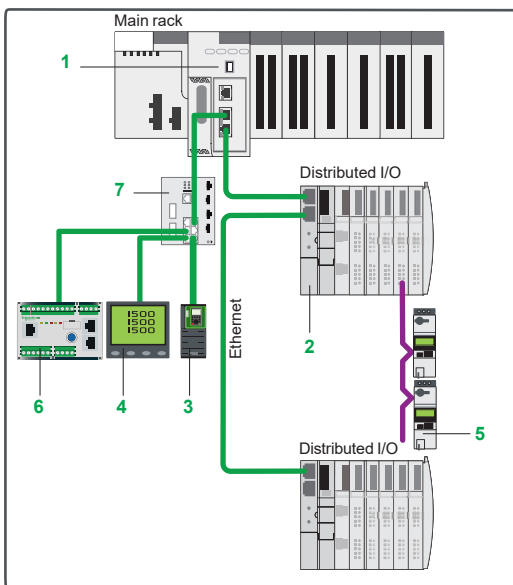
Module addressing

With Unity Pro (1), the I/O addressing is unlimited (physical limitation: 94 slots).

(1) Requires Unity Pro software ≥ V8.0.



Distributed I/O architecture: devices distributed over Ethernet with BMENOS0300



Distributed I/O architecture: devices distributed over Ethernet with DRS

Presentation

The distributed I/O architecture consists of I/O and devices distributed over Ethernet (DIO).

The Ethernet DIO devices can be connected to Ethernet ports of the **BMEP58000** CPU **1** or of a ConneXium DRS (dual ring switch).

The available Ethernet DIO devices are:

- Modicon STB distributed I/O **2**
- Altivar Process variable speed drive **3**
- Energy supervision **4** and HMI
- Tesys U **5** connected via CANopen to a Modicon STB I/O island and Tesys T **6** motor protection, etc.

Modbus serial link devices can be integrated in the distributed I/O architecture via the **BMXNOM0200** serial link module.

High availability and expanded integration capacity

The distributed I/O architecture can use the embedded switching module or the external switches to expand the integration capacity.

The **BMENOS0300 8** Ethernet network option switch can be installed on a local or a remote **BMEXBP0000** Ethernet main rack in the Modicon M580 platform. The external ConneXium DRSs **7 (1)** can be loaded with 15 predefined configurations to simplify their implementation.

The use of these switches provides enhanced capacity for integrating the following devices:

- DIO sub-rings
- DIO clouds

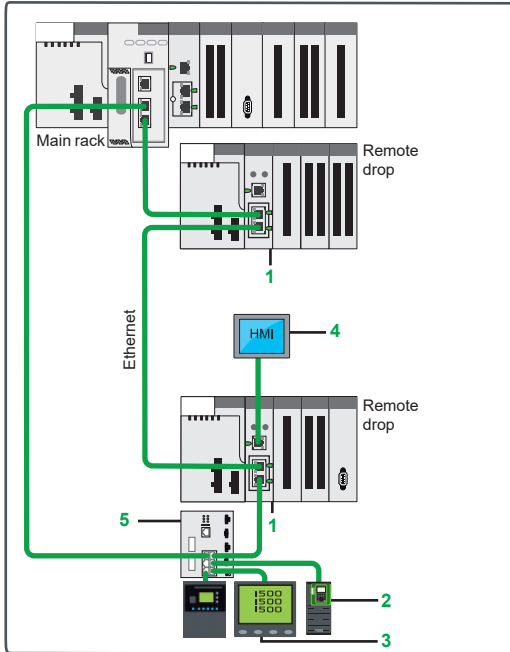
The advantages of this architecture are:

- High availability of the Ethernet DIO devices

Maximum distance between each ConneXium managed switch:

- 100 m/328 ft with copper medium
- 2 km/1.25 mi with multimode optical fiber medium
- 16 km/9.94 mi with single-mode optical fiber medium

(1) Supported ConneXium switches: TCSESM083F23F1, TCSESM063F2CU1, TCSESM063F2CS1.



Remote I/O architecture: devices on remote I/O

Presentation

The remote I/O architecture consists of remote I/O and remote functions (including fieldbus masters).

This type of architecture is fully compatible with the references in the Modicon M580 automation platform and Modicon X80 I/O platform offers. The capacity of Modicon X80 I/O drops depends on the CRA Ethernet drop adapter used. A maximum of 16 RIO drops **1** can be supported in a remote I/O architecture system.

The available Ethernet devices are:

- Altivar Process variable speed drive **2**
- Energy supervision **3** and HMI **4**
- Tesys T motor protection, etc.

It is possible to include DIO devices in a remote I/O architecture via the SERVICE port of the CPU or of the **BMECRA31210** drop adapter **1**, or via ConneXium DRSs **5**.

Rack Viewer function

The Rack Viewer function provides access to Ethernet RIO data via a web browser.

Predefined configurations for ConneXium managed switches

The use of ConneXium managed switches specifically for Modicon M580 architectures is simplified using 15 predefined configuration files.

Standard remote I/O architecture

This is composed of a daisy chain loop consisting of a Modicon M580 main rack and several Modicon X80 I/O drops containing an Ethernet drop adapter:

- **BMECRA31210** Modicon X80 performance EIO adapter, with SERVICE port
- **BMXCRA31210** Modicon X80 RIO Ethernet drop adapter, with SERVICE port
- **BMXCRA31200** Modicon X80 RIO Ethernet drop adapter, without SERVICE port

Long distance remote I/O architecture

Similar to the standard remote I/O architecture, this variant comprises one or more remotely located Modicon X80 I/O drops connected via integrated NRP fiber optic repeaters.

There are 2 types of NRP repeater:

- **BMXNRP0200**: multimode fiber optic repeater (remote location up to 2 km/1.25 mi)
- **BMXNRP0201**: single-mode fiber optic repeater (remote location up to 16 km/9.94 mi)

The NRP repeaters are linked to CRA drop adapters by means of Ethernet Interlink cables.

High availability and expanded integration capacity

The remote I/O architecture can use the embedded switching module or the external switches to expand the integration capacity.

The **BMENOS0300** Ethernet network option switch can be installed on a local or a remote **MEXBP●●●●** Ethernet main rack in the Modicon M580 platform. The external ConneXium DRSs **7 (1)** can be loaded with 15 predefined configurations to simplify their implementation.

The use of these switches provides enhanced capacity for integrating the following devices:

- RIO sub-rings
- Fiber optic media for long distance remote location, etc.
- Enable DIO integration to remote I/O architecture

The advantages of this architecture are:

- Reduced wiring costs
- Deterministic data exchanges between the PLC and the EIO devices
- Secondary rings can be linked to the main ring by two DRSs, which improve availability

Maximum distance between each ConneXium managed switch:

- 100 m/328 ft with copper (twisted pair) medium
- 2 km/1.25 mi with multimode optical fiber medium
- 16 km/9.94 mi with single-mode optical fiber medium

(1) Supported ConneXium switches: TCSESM083F23F1, TCSESM063F2CU1, TCSESM063F2CS1.



BMECRA31210

Modicon X80 performance EIO adapter

Presentation

An M580 Ethernet RIO (EIO) architecture with Modicon X80 I/O drops requires the use of a dedicated adapter in each Modicon X80 drop.

The **BMECRA31210** adapter supports Ethernet and X-bus communications across the remote backplane.

This EIO adapter module supports several expert modules such as counter and weighing modules and CCOTF (change configuration on the fly).

For Modicon X80 RIO drops on an Ethernet backplane, time stamping can be managed with a resolution of 10 ms when using a **BMECRA31210** performance EIO adapter.

Only one **BMECRA31210** module can be installed per Modicon X80 RIO drop.

This module can also support a **BMXXBP●●00** expansion rack.

The **BMECRA31210** adapter is designed to be installed on an Ethernet backplane in the main remote rack. The adapter supports the Modicon X80 I/O and partner modules with both Ethernet and X-bus connections (1).

The keying pin on the rear side of the module means the **BMECRA31210** adapter cannot be installed on unsupported backplanes.

These adapters are connected by Ethernet cordsets equipped with RJ45 connectors. The dual Ethernet connection port on each adapter allows daisy chain loop connections using the RSTP protocol (Rapid Spanning Tree Protocol).

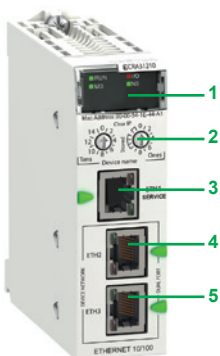
The **BMECRA31210** adapter is also available in a conformal coating version for harsh environments.

Capacity of the Modicon CRA drop adapter

Type of module	BMXCRA31200 Standard	BMXCRA31210 High performance	BMECRA31210 High performance
Maximum number of racks per drop	Up to 2	Up to 2	Up to 2
SERVICE port	–	1	1
Discrete I/O modules	Up to 128	Up to 1,024	Up to 1,024
Analog I/O module	Up to 16	Up to 256	Up to 256
Expert modules supported:			
■ Serial link	–	BMXNOM0200	BMXNOM0200
■ Time and date stamping at 1 ms	–	BMXERT1604T	BMXERT1604T
■ Counter	–	BMXEHC0200/ BMXEHC0800	BMXEHC0200/ BMXEHC0800
■ Weighing	–	–	PMESWT0100
■ Frequency input	–	BMXETM0200H	BMXETM0200H
■ HART integrated analog I/O modules	–	–	BMEAHI0812/ BMEAHO0412
CCOTF function	–	Yes	Yes
Time and date stamping	–	10 ms	10 ms

Description

- 1 LED display block indicating the module status
- 2 Rotary switches for setting the address of an EIO drop (00...159)
- 3 Dedicated RJ45 service port (ETH 1) for remote service tools such as a PC, HMI terminal module, or Ethernet DIO devices
- 4 RJ45 device network port (ETH 2) for connection to the Ethernet network
- 5 RJ45 device network port (ETH 3) for connection to the Ethernet network



BMECRA31210

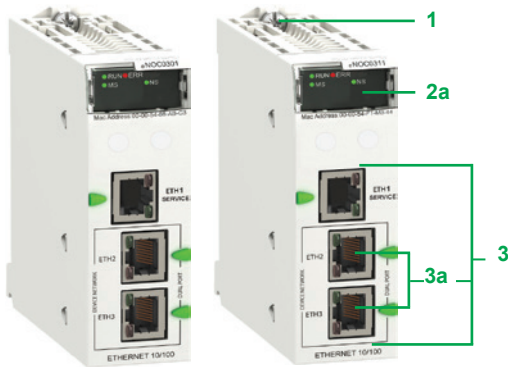
References

Ethernet drop adapter

Description	SERVICE port	Reference	Weight kg/lb
X80 EIO drop adapter Provide one module per Modicon X80 EIO drop	1	BMECRA31210	–

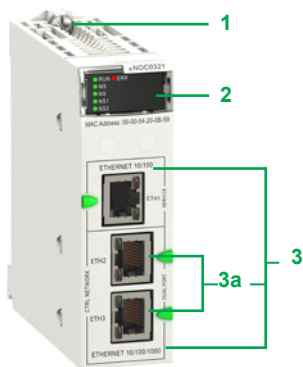
(1) This module is also compatible with X-bus backplanes. In this case it has the same functionality as a **BMXCRA31210** high-performance Ethernet drop adapter. For more details see our website www.schneider-electric.com.

2



BMENOC0301

BMENOC0311



BMENOC0321



Example of BMEP58 and NOC module combination:
BMEP581020/BMENOC0301/BMENOC0301

Presentation

BMENOC03•1 network modules act as an interface between the M580 PLC and other Ethernet network devices via the Modbus/TCP and EtherNet/IP communication protocols.

BMENOC03•1 network modules are standard format and occupy a single slot in the rack of the Modicon M580 platform. They have to be installed in the main Ethernet + X-bus backplane rack.

Functions

BMENOC03•1 modules offer the following functions:

- Modbus/TCP and EtherNet/IP protocols operating simultaneously
- Ring topologies on 2 Ethernet ports using RSTP (Rapid Spanning Tree Protocol)
- Priority of Ethernet packets using QoS (Quality of Service) service
- Automatic module configuration recovery using FDR (Fast Device Replacement) service
- Embedded web server for application monitoring and module diagnostics (this is an HTML5 web server, which means it can be read by any device (PC, tablet, smartphone) with the majority of operating systems (Android, iOS, Windows))
- Sharing data between PLCs ("local slaves" function)
- Network management using SNMP (Simple Network Management Protocol)

Description

The front panel of **BMENOC03•1** modules features:

1 A screw for locking the module in a slot in the rack

2 A display block with 4 LEDs:

- RUN LED (green): Operating status
- ERR LED (red): Error detected
- MS LED (green/red): Module status
- NS LED (green/red): Network connection status

Additionally for **BMENOC0321** modules, 2 LEDs are displayed as:

- NS1 LED (green/red): Ethernet network status
- NS2 LED (green/red): Ethernet network status

3 3 RJ45 connectors for connection to the Ethernet network. The 2 bottom connectors **3a** support ring topologies (RSTP protocol).

Each RJ45 connector has 2 associated LEDs:

- LNK LED (yellow): Ethernet link established
- ACT LED (green): Transmission/reception activity

FactoryCast

The **BMENOC0311/BMENOC0321** FactoryCast modules provide additional web-based visualization of ePAC diagnostics and system data, such as:

- Custom web pages: allow the user to define a personalized interface
- Rack Viewer: provides a graphical representation of the configured ePAC system including all modules and I/O status
- ePAC Program Viewer: provides a web-based view of the Unity Pro program code that animates logical states and variable values
- Customizable dashboard: allows a customized widget to be added to provide an optimum overview of the process data
- Trend Viewer: provides a graphical visualization of the variables
- Easy brand labeling: the website logo and colors can be adjusted online

Embedded router

The **BMENOC0321** embedded router provides bridge transparency from the control network to the device network and connectivity with functions such as:

- Embedded IP forwarding: enables communication from the control network to PACs, PLCs, PCs, HMIs, etc.
- IPsec feature: applicable when the IP forwarding function is disabled
- Time synchronization: to be able to synchronize with external time servers and update the internal clock
- SMTP (Email): to send messages and alerts about the ePAC system
- Embedded switch in the M580 platform: provides a direct connection to the processor without any cable, and no separate power supply is required
- Fast Device Replacement service
- Multiple diagnostics: supports advanced web pages to FactoryCast, MB Diagnostics, EIP Diagnostics, CNM (ConneXium Network Manager)

Combination of Ethernet modules and BMEP58 CPU

It is possible to combine Ethernet modules with the Modicon M580 CPU in order to increase its connectivity (1).

In this example, the 3 NOC EtherNet/IP, Modbus/TCP network modules **5** are linked to the BMEP58•0•0 CPU module **4**:

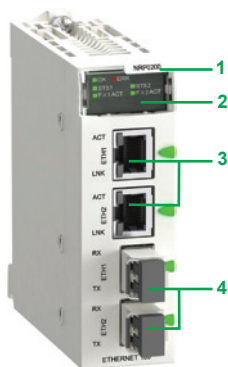
4 BMEP581020 CPU

5 BMENOC03•1 EtherNet/IP, Modbus/TCP network module

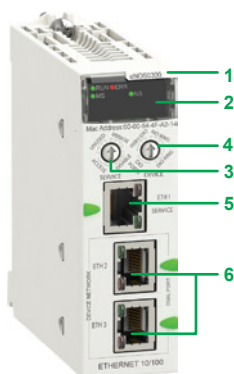
(1) For each M580 processor, up to 2 **BMENOC0321** modules can be integrated in the same rack.

Modicon M580 automation platform

Modicon X80 NRP EIO drop fiber optic repeaters,
Ethernet network option switch



BMXNRP020●



BMENOS0300

Modicon X80 EIO drop fiber optic repeaters (1)(2)

Presentation

BMXNRP0200/0201 fiber optic repeaters offer an alternative to the use of ConneXium managed dual ring switches (DRSs) for fiber optic communications over long distances in Ethernet I/O (EIO) systems.

When inserted in Modicon X80 RIO drops, **BMXNRP0200/0201** fiber optic repeaters make it possible to:

- Extend the total distance of the EIO network when EIO drops are located in areas of the factory more than 100 m/328 ft away
- Enhance immunity to noise
- Resolve grounding incompatibilities between sites with different grounding methods

NRP repeaters can be installed on the primary ring or on secondary rings. These modules cannot, however, be used to connect secondary rings to the primary ring.

■ The **BMXNRP0200** repeater for multimode optical fiber allows remote location up to 2 km/1.25 mi.

The **BMXNRP0201** repeater or single-mode optical fiber allows remote location up to 16 km/9.94 mi.

Depending on the configuration, the NRP repeater may be linked to the CRA adapter of the drop where it is installed, via 1 or 2 Ethernet Interlink cables.

Description

- 1 Module reference
- 2 Display block indicating the module status
- 3 RJ45 Ethernet ports; 2 LEDs, LNK and ACT, indicate the status of each port
- 4 Fiber optic ports with SFP transceiver for LC type connector

Ethernet network option switch

Presentation

The Ethernet network option switch **BMENOS0300** offers an economic alternative to external DRSs for copper Ethernet communication over short distances. Based on the rotary switches on the front panel, the application of the 2 device network ports can be configured intuitively as:

- RIO ring
- DIO ring
- DIO ports

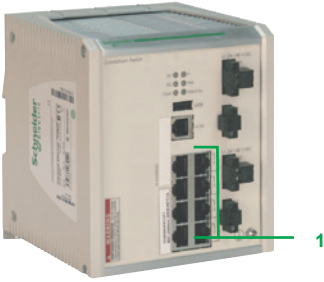
Depending on the architecture, the **BMENOS0300** switch can be used to communicate with the distributed I/O by simply inserting it in the local main rack or remote drops.

Description

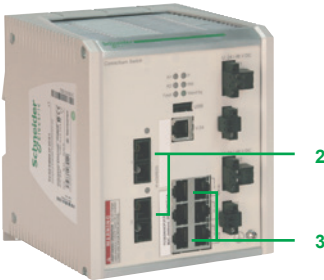
- 1 Module reference
- 2 Display block indicating the module status
- 3 Rotary switch for configuring the ETH 1 service port
- 4 Rotary switch for configuring the 2 device network ports (ETH 2 and ETH 3)
- 5 ETH 1: Service port (Ethernet)
- 6 ETH 2/ETH 3: Device network port (Ethernet)

(1) For additional characteristics, see our website www.schneider-electric.com.

(2) Requires Unity Pro Extra Large software ≥ V7.0.



TCSESM083F23F1



TCSESM063F2CU1
TCSESM063F2CS1

ConneXium managed switches (1)

Presentation

There are 3 ConneXium managed DRS models available specifically for EIO architectures. They are used in the following situations:

- For remote racks located at a distance of more than 100 m/328 ft
- Use of fiber optic media:
 - For remote racks located over long distances: 2 km/1.25 mi (multimode optical fiber) or 16 km/9.94 mi (single-mode optical fiber)
 - In environments subject to interference
 - Between sites with different ground equipotentiality
- Architectures with combined EIO and Ethernet DIO devices
- Implementation of a secondary ring

ConneXium managed switches specific to the medium

ConneXium managed switch	Copper port	Multimode fiber optic port	Single-mode fiber optic port	Distance between switches
	RJ45 shielded connectors	Duplex SC connectors		
TCSESM083F23F1	1: 8 x 10/100 BASE-TX ports	–	–	100 m/ 328 ft
TCSESM063F2CU1	3: 6 x 10/100 BASE-TX ports	2: 2 x 10/100 BASE-FX ports	–	2 km/ 1.25 mi
TCSESM063F2CS1	3: 6 x 10/100 BASE-TX ports	–	2: 2 x 10/100 BASE-FX ports	16 km/ 9.94 mi

Predefined configuration files

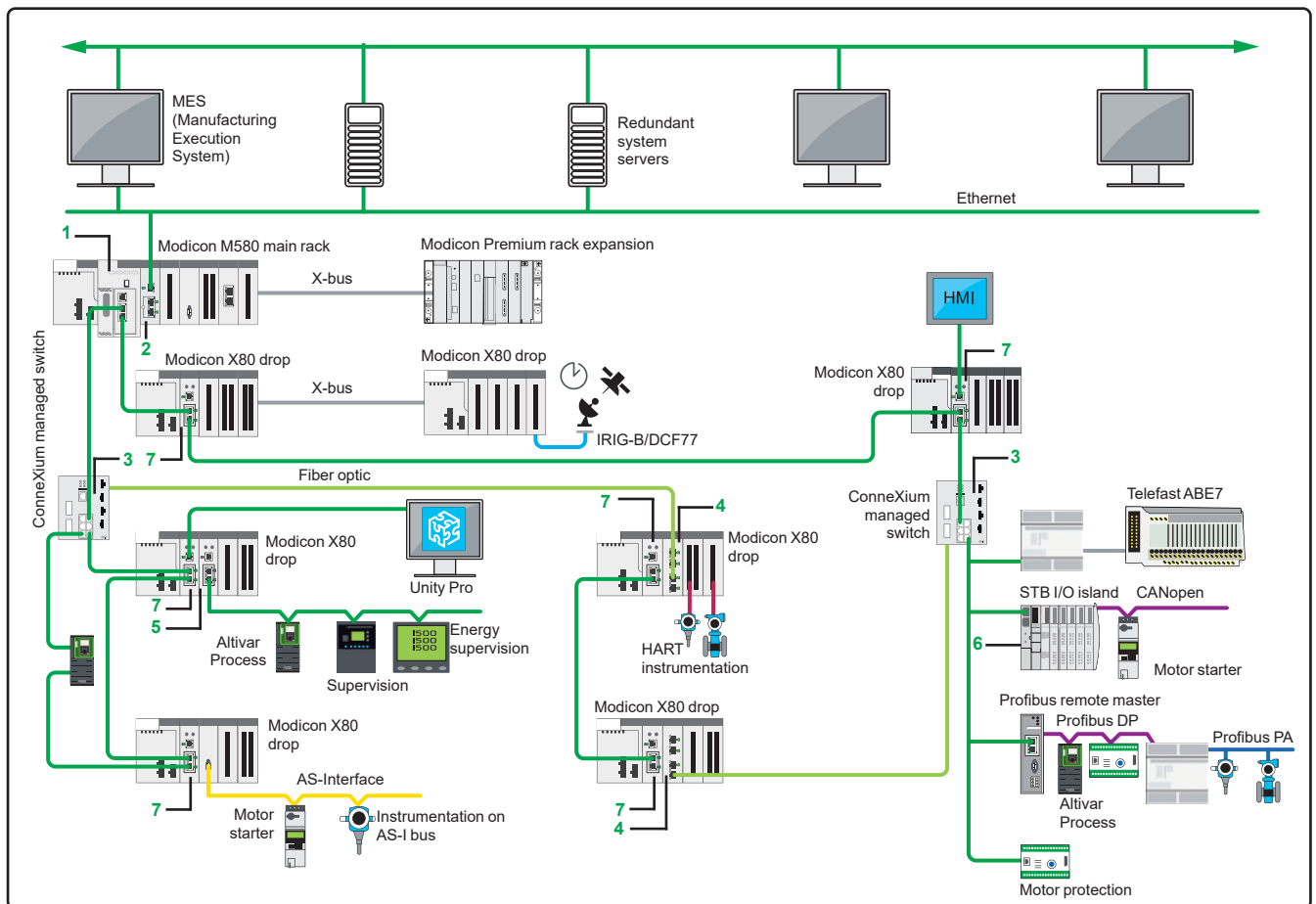
For ease of implementation of the 3 switches described above, 15 predefined configuration files are available for building validated and tested architectures. These configuration files are included, as standard, on the Unity Pro V8.0 DVD. The parameters of the switch(es) present on the Ethernet network can then easily be set with the chosen configuration using a PC equipped with a web browser or Ethernet Switch Configurator software. The switch is configured immediately. Ethernet Switch Configurator software is also available on the ConneXium Resource CD-ROM.

(1) The functions described are only available for the 3 ConneXium managed switches mentioned on this page: (TCSESM083F23F1/063F2CU1/063F2CS1).

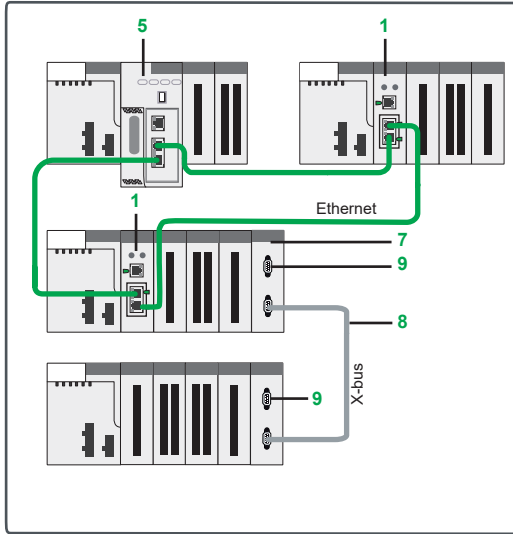
Example of a complex architecture

The complex architecture below illustrates the extensive possibilities of the Modicon M580 offer:

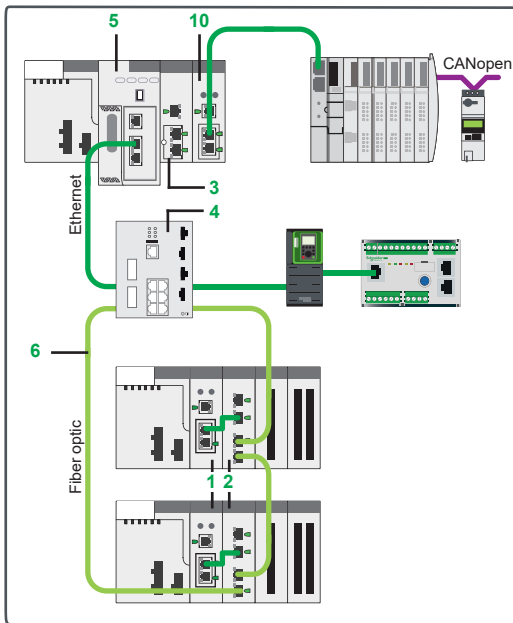
- A choice between 9 **BMEP58000** CPUs **1**
- Easy integration of the I/O network with supervisors in the control network, due to the **BMENOC0301** Ethernet module **2**
- Optimized wiring with RIO and DIO control via a single medium: the DIO are controlled via the CPU
- High availability of secondary rings with ConneXium managed switches **3**
- Long distance optimized by the fiber optic converter **4** installed directly in the Modicon X80 rack
- Simplified integration of devices via a serial link **5** (for example, power meter, variable speed drive, motor starters, protection relays, etc.); FTD/DTM technology makes it possible to configure and debug devices transparently via the Ethernet network, from any supervisor
- Great flexibility due to integration of DIO devices **6** or other diagnostic/configuration tools on any drop SERVICE port or on the DIO port of a managed switch
- Easy integration of Modicon X80 I/O drops on Ethernet with **BMECRA31210** drop adapters **7**



Example of a complex architecture



Local I/O architecture + Remote I/O architecture



Distributed I/O architecture + Remote I/O architecture

References (1)

Ethernet head and drop adapters (2)

Description	SERVICE port	Item (3)	Reference	Weight kg/lb
Modicon X80 EIO drop adapter	–	1	BMXCRA31200	0.200/ 0.441
Provide 1 module per Modicon X80 EIO drop	1	1	BMXCRA31210 (4)	0.234/ 0.516
	1	1	BMECRA31210 (4)	0.234/ 0.516

Modicon X80 Ethernet RIO drop fiber optic repeaters (2)

Description	Optical fiber	Item (3)	Reference	Weight kg/lb
Modicon X80 Ethernet RIO drop fiber optic repeaters	Multimode	2	BMXNRP0200	0.203/ 0.448
	Single-mode	2	BMXNRP0201	0.203/ 0.448

Ethernet interlink cables	Standard version	Item	Reference	Weight
Length 1 m/3.28 ft	–	–	TCSECN3M3M1S4	–
	UL version	–	TCSECN3M3M1S4U	–

Ethernet communication modules and cordsets (2)

Description	Item (3)	Reference	Weight kg/lb
EtherNet/IP, Modbus/TCP network module	3	BMENOC0301	0.200/ 0.441
FactoryCast network module	3	BMENOC0311	0.200/ 0.441
Embedded router network module	3	BMENOC0321	0.200/ 0.441

Ethernet network option switch

Description	SERVICE port	Device network port (Ethernet)	Item	Reference	Weight kg/lb
Ethernet network option switch	1	2	10	BMENOS0300	–

Dedicated ConneXium managed switches (5)

Copper port	Multimode fiber optic port	Single-mode fiber optic port	Item (3)	Reference (4)	Weight kg/lb
RJ45 shielded connectors	Duplex SC connectors				
8 x 10/100 BASE-TX ports	–	–	–	TCSESM083F23F1	1.000/ 2.205
6 x 10/100 BASE-TX ports	2 x 10/100 BASE-FX ports	–	4	TCSESM063F2CU1	1.000/ 2.205
–	–	2 x 10/100 BASE-FX ports	4	TCSESM063F2CS1	1.000/ 2.205

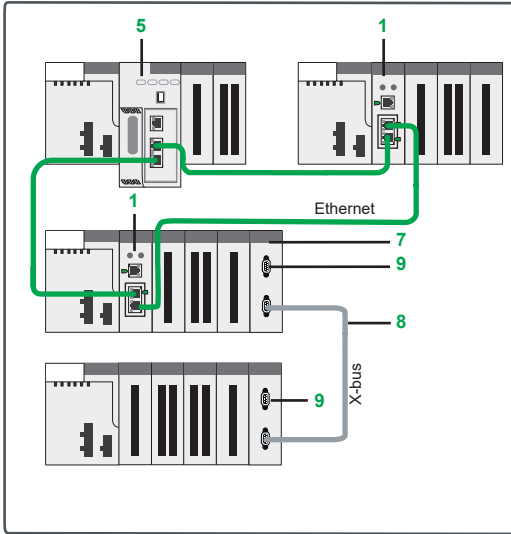
(1) For additional characteristics, see our website www.schneider-electric.com.

(2) Requires Unity Pro Extra Large software ≥ V8.0 (see page 2/19).

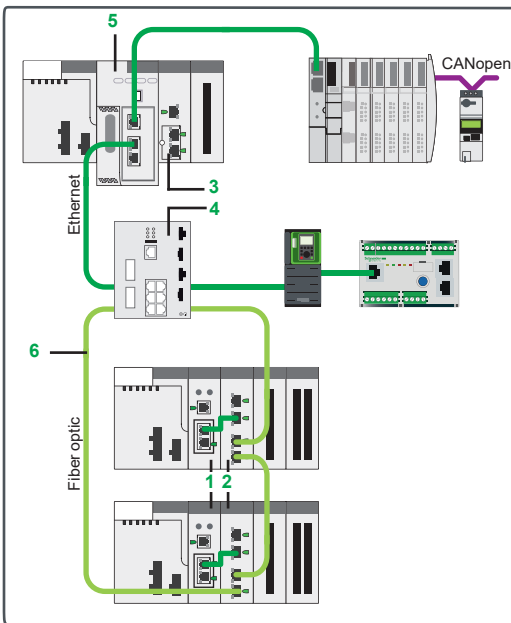
(3) For items 5 to 9, see pages 2/18 and 2/19.

(4) Conformal coating version for harsh environments. In this case, add the letter “C” to the end of the reference.

(5) ConneXium managed switches validated for Modicon M580 architectures.



Local I/O architecture + Remote I/O architecture



Distributed I/O architecture + Remote I/O architecture

References (continued) (1)

Modicon M580 processors

I/O capacity	Maximum number of networks	Device ports	SERVICE port	Item (2)	Reference	Weight kg/lb
1,024 discrete I/O 256 analog I/O 24 application-specific channels 4 MB integrated (memory program)	2 Ethernet networks	2 DIO	1	5	BMEP581020	—
2,048 discrete I/O 512 analog I/O 32 application-specific channels 8 MB integrated (memory program)	2 Ethernet networks	2 DIO	1	5	BMEP582020	—
		2 RIO/DIO	1	5	BMEP582040	—
3,072 discrete I/O 768 analog I/O 64 application-specific channels 12 MB integrated (memory program)	3 Ethernet networks	2 DIO	1	5	BMEP583020	—
		2 RIO/DIO	1	5	BMEP583040	—
4,096 discrete I/O 1,024 analog I/O 64 application-specific channels 16 MB integrated (memory program)	4 Ethernet networks	2 DIO	1	5	BMEP584020	—
		2 RIO/DIO	1	5	BMEP584040	—

Fiber optic cable

Description	Length m/ft	Item (2)	Reference	Weight kg/lb
62.5/125 µm multimode fiber optic cables equipped with MT-RJ connectors	3/9.84	6	490NOR00003	—
For interconnection of the Ethernet port on the CPU or BMECRA adapter 1	5/16.40	6	490NOR00005	—

Rack expansion for Modicon X80 drop

Description	Item (2)	Reference	Weight kg/lb
Modicon X80 rack expansion module Standard module for mounting in each rack (XBE slot) and allowing the interconnection of 2 racks max.	7	BMXXBE1000	0.178/ 0.392
Modicon X80 rack expansion kit Complete kit for 2-rack configuration comprising: - 2 BMXXBE1000 rack expansion modules - 1 BMXXBC008K extension cordset, length 0.8 m/2.63 ft - 1 TSXTLYEX line terminator (pack of 2)	7 8 9	BMXXBE2005	0.700/ 1.543

(1) For additional characteristics, see our website www.schneider-electric.com.

(2) For items 1 to 4, see page 2/16.

References (continued) (1)

Description	Type of connector	Length m/ft	Item (2)	Reference	Weight kg/lb
X-bus preformed extension cordsets with two 9-pin SUB-D connectors	Elbowed	0.8/2.63	8	BMXXBC008K	0.165/ 0.364
		1.5/4.92	8	BMXXBC015K	0.250/ 0.551
		3/9.84	8	BMXXBC030K	0.420/ 0.926
		5/16.40	8	BMXXBC050K	0.650/ 1.433
		12/39.37	8	BMXXBC120K	1.440/ 3.175
	Straight	1/3.28	8	TSXCBY010K	0.160/ 0.353
		3/9.84	8	TSXCBY030K	0.260/ 0.573
		5/16.40	8	TSXCBY050K	0.360/ 0.794
		12/39.37	8	TSXCBY120K	1,260/ 2.778
		18/59.06	8	TSXCBY180K	1,860/ 4.101
28/91.86	8	TSXCBY280KT (3)	2,860/ 6.305		

Description	Use	Length m/ft	Item (2)	Reference	Weight kg/lb
Cable on reel Cable with free ends, 2 line testers	To be equipped with 2 TSXCBYK9 connectors	100/328	–	TSXCBY1000	12,320/ 27.161

Description	Use	Sold in lots of	Item (2)	Reference	Weight kg/lb
Line terminator 2 x 9-way SUB-D connectors marked A/ and /B	Required on the 2 BM●XBP●●●0 modules located at either end of the daisy chain	2	9	TSXTLYEX	0.050/ 0.110
X-bus straight connectors 2 x 9-way SUB-D connectors	For TSXCBY1000 cable ends	2	–	TSXCBYK9	0.080/ 0.176
Connector installation kit 2 crimping pliers, 1 pen (4)	For fixing TSXCBYK9 connectors	–	–	TSXCBYACC10	–

(1) For additional characteristics, see our website www.schneider-electric.com.

(2) For items 1 to 4, see page 2/16; for items 5 to 7, see page 2/17.

(3) Cable supplied with a set of 2 TSXTVSY100 electrical transient suppressors.

(4) Installation of connectors on the cable also requires a wire stripper, a pair of scissors, and a digital ohmmeter.

Requirements for a Modicon M580 Ethernet I/O architecture (1)

The table below gives the minimum hardware and software requirements for setting up a Modicon M580 I/O architecture.

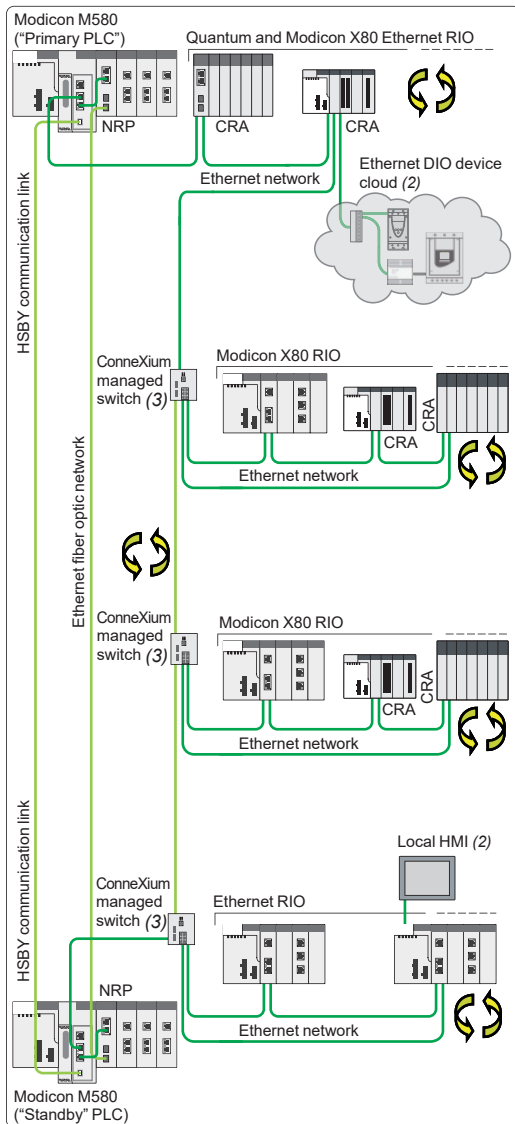
Description of the hardware or software required	Reference	Version	Item (2)
Unity Pro Extra Large software	UNISPUEF●CD80	≥ 8.0	–
Modicon X80 RIO drop adapter	BMECRA31210	≥ 2.0	1
	BMXCRA31200	≥ 2.0	1
	BMXCRA31210	≥ 2.0	1
Modicon X80 NRP EIO drop fiber optic repeaters	BMXNRP0200	–	2
	BMXNRP0201	–	2
ConneXium managed switches	TCSESM083F23F1	Firmware ≥ 6.0	4
	TCSESM063F2CU1	Firmware ≥ 6.0	4
	TCSESM063F2CS1	Firmware ≥ 6.0	4
M580 CPUs	BMEP581020	Firmware ≥ 1.0	5
	BMEP582020	Firmware ≥ 1.0	5
	BMEP582040	Firmware ≥ 1.0	5
	BMEP583020	Firmware ≥ 1.0	5
	BMEP583040	Firmware ≥ 1.0	5
	BMEP584020	Firmware ≥ 1.0	5
	BMEP584040	Firmware ≥ 1.0	5
	BMEP585040	Firmware ≥ 1.0	5
	BMEP586040	Firmware ≥ 1.0	5

(1) For additional characteristics, see our website www.schneider-electric.com.

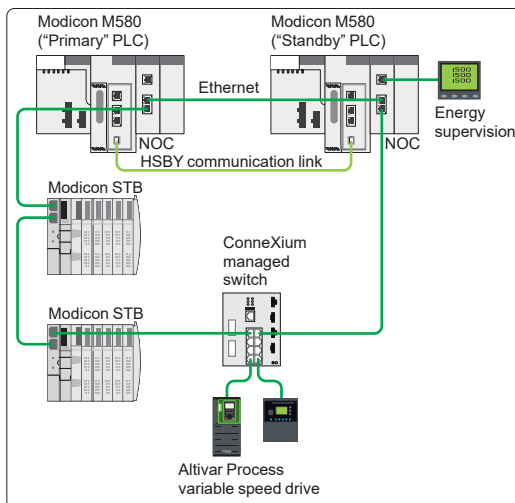
Modicon M580 automation platform

High-availability architectures

2



Modicon M580 Hot Standby Ethernet I/O architecture, long distance



Modicon M580 Hot Standby Ethernet I/O architecture with Ethernet DIO devices, without CRA Ethernet drop adapter

Types of M580 high-availability architecture (1)

High-availability system

The Unity high-availability system is used for more demanding applications, in terms of the availability of their control/command system, as no interruption of the process can be tolerated. This system helps to ensure global availability of the redundant CPU and Ethernet I/O devices.

At the heart of this architecture are 2 PLC racks (“Primary” and “Standby”) with identical hardware configurations, based on **BMEH58●●40** Unity redundant CPUs, connected via a high-speed (1Gbps) link (copper or fiber optic). The volume of data exchanged between the “Primary” and “Standby” PLCs can reach 4 MB depending on the CPU.

The “Primary” PLC executes the application program and controls the I/O, while the “Standby” PLC remains in the background.

In the event of a detected error affecting the “Primary” PLC, the “Standby” system switches over automatically, changing over execution of the application program and control of the I/O to the “Standby” PLC with an up-to-date data context. Once the changeover is complete, the “Standby” PLC becomes the “Primary” PLC. Once the detected error has been cleared on the other PLC and it has been reconnected to the standby system, it acts as the “Standby” PLC. The changeover is performed smoothly at the outputs and is completely transparent to the process.

The high-availability system with Unity Pro software thus increases productivity by minimizing process downtime.

High-availability system based on remote I/O architecture

The high-availability system based on the remote I/O (RIO) architecture is used for sensitive processes that require an I/O control takeover time within the region of the PLC scan time.

As the Ethernet RIO drops are synchronized with the PLC CPU scan time, the CPU changeover is carried out smoothly at the outputs, i.e. it is bumpless.

Due to the Ethernet build-in technology of the Modicon M580 controllers, the remote I/O architecture is simple to realize. There is no need to insert an Ethernet head adapter module twice in the “Primary” PLC and the “Standby” PLC. The capacity of Modicon X80 I/O drops depends on the CRA Ethernet drop adapter used.

A maximum of 31 RIO drops can be supported in a Hot Standby remote I/O architecture. Automatic switching of the IP address of these modules helps to ensure transparent addressing to SCADA, even in the event of a CPU changeover.

High-availability system based on Ethernet DIO device architecture

In this type of high-availability architecture without Ethernet RIO drops, the CRA Ethernet drop adapter is not required.

Only one M580 Ethernet module **BMENOC0301/BMENOC0311/BMENOC0321** or **BMENOS0300** (if less than 61 DIO) is required in each “Primary” and “Standby” PLC using distributed devices. The changeover from “Primary” to “Standby” processor might not be bumpless according to the type of DIO used. Please contact our Customer Care Center for more information.

(1) Requires Unity Pro Extra Large software ≥ V11.0.

(2) Please refer to the relevant product catalogs on our website www.schneider-electric.com.

(3) As well as the secondary ring, an Ethernet DIO device cloud can be connected to each managed switch.

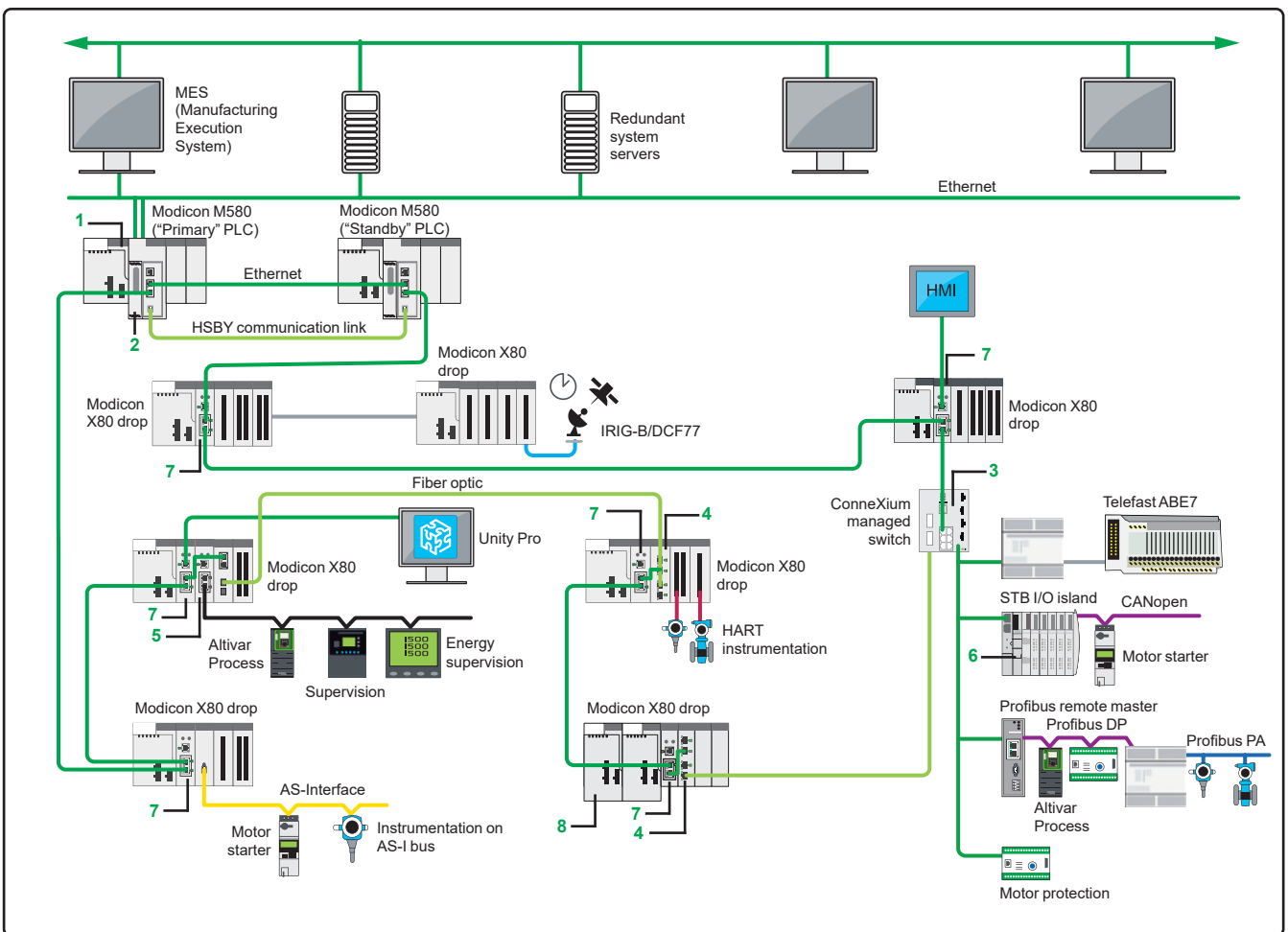
Modicon M580 automation platform

High-availability architectures
Example of a complex architecture

Example of a complex architecture

The complex architecture below illustrates the extensive possibilities of the Modicon M580 offer:

- A choice between 3 **BMEH58●040** M580 redundant CPUs **1**
- Easy integration of the I/O network with supervisors in the control network, due to the **BMENOC03●1** Ethernet module **2**
- Optimized wiring with RIO and DIO control via a single medium: the DIO are controlled via the CPU
- High availability of secondary rings with ConneXium managed switches **3**
- Long distance optimized by the fiber optic converter **4** installed directly in the Modicon X80 rack
- Simplified integration of devices via a serial link **5** (for example, power meter, variable speed drive, motor starters, protection relays, etc.); FTD/DTM technology makes it possible to configure and debug devices transparently via the Ethernet network, from any supervisor
- Great flexibility due to integration of DIO devices **6** or other diagnostic/configuration tools on any drop SERVICE port or on the DIO port of a managed switch
- Easy integration of Modicon X80 I/O drops on Ethernet with **BMECRA31210** drop adapters **7**
- The redundant power supplies are compatible with both single power supply racks for standard applications, and the dual power supply racks are compatible with high-availability applications **8**

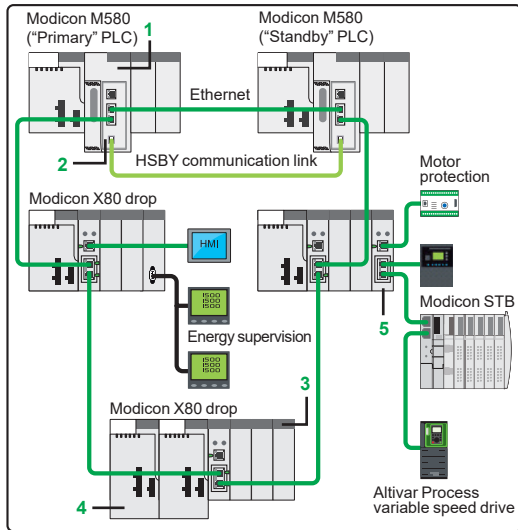


Example of a complex architecture

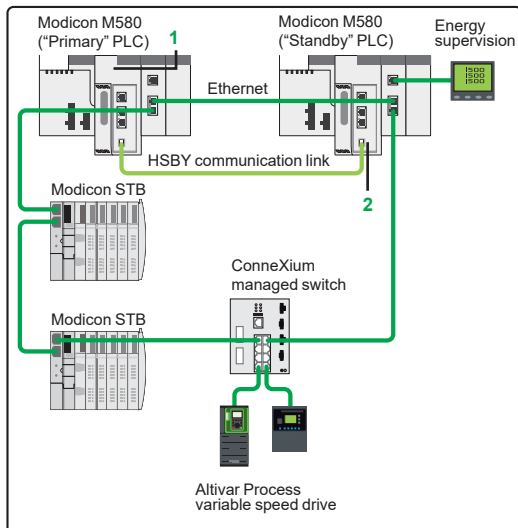
Modicon M580 automation platform

High-availability architectures

2



Remote I/O architecture



Distributed I/O architecture

References (1)

Modicon M580 redundant processors

Memory capacity	Maximum number of networks	Device ports	SERVICE port	Item (2)	Reference	Weight kg/lb
8 MB integrated (memory program)	2 Ethernet networks	2 RIO/DIO	1	1	BMEH582040	0.849/1.872
16 MB integrated (memory program)	4 Ethernet networks	2 RIO/DIO	1	1	BMEH584040	0.849/1.872
64 MB integrated (memory program)	6 Ethernet networks	2 RIO/DIO	1	1	BMEH586040	0.849/1.872

Accessories

Description	Use	Cable medium	Item (2)	Reference	Weight kg/lb
HSBY link SFP socket (one reference for one socket)	To be inserted in pair in 2 BMEH58●●40 redundant processors for short distance	RJ45 copper	2	490NAC0100	-
	To be inserted in pair in 2 BMEH58●●40 redundant processors for long distance	Single-mode fiber	2	490NAC0201	-

Ethernet + X-bus dual power supply racks

Description	Type of module to be inserted	Ethernet connectors	X-bus connectors	Power consumption	Item (2)	Reference	Weight kg/lb
6-slot Ethernet + X-bus dual power supply backplane	BMXCPS4002●, BMEP58/BMEH58 processor,	4	6	3.9 W	3	BMEXBP0602	1.377/3.036
10-slot Ethernet + X-bus dual power supply backplane	I/O modules, communication modules, and application-specific modules (counter, motion control, and serial)	8	10	3.9 W	3	BMEXBP1002	1.377/3.036

Redundancy power supply modules

Line supply	Available power		Total	Nominal current 24 V $\overline{\text{---}}$ rack	Item (2)	Reference	Weight kg/lb
	3.3 V $\overline{\text{---}}$ (2)	24 V $\overline{\text{---}}$ (2)					
100...240 V \sim	18 W	40 W	40 W	1.67 A	4	BMXCPS4002	0.360/0.794
100...240 V \sim	18 W	40 W	40 W	1.67 A	4	BMXCPS4002H	0.360/0.794

Ethernet network option switch

Description	SERVICE port	Device network port (Ethernet)	Item (2)	Reference	Weight kg/lb
Ethernet network option switch	1	2	5	BMENOS0300	-

(1) For additional characteristics, see our website www.schneider-electric.com.
 (2) 3.3 V $\overline{\text{---}}$ and 24 V $\overline{\text{---}}$ rack voltages for powering modules in the Modicon X80 I/O rack.
 (3) 24 V $\overline{\text{---}}$ sensor voltage for powering the input sensors (voltage available via the 2-way removable connector on the front panel).

Modicon M580 automation platform

High-availability architectures



BMEH580040K Hot Standby kits

References (continued) (1)

Hot Standby kits

Description	Composition	Reference	Weight kg/lb
M580 Hot Standby kit	- 2 Modicon M580 BMEH582020 redundant processors - 2 RJ45 SFP sockets 490NAC0100	BMEH582040K	–
	- 2 Modicon M580 BMEH584020 redundant processors - 2 RJ45 SFP sockets 490NAC0100	BMEH584040K	–

(1) For additional characteristics, see our website www.schneider-electric.com.

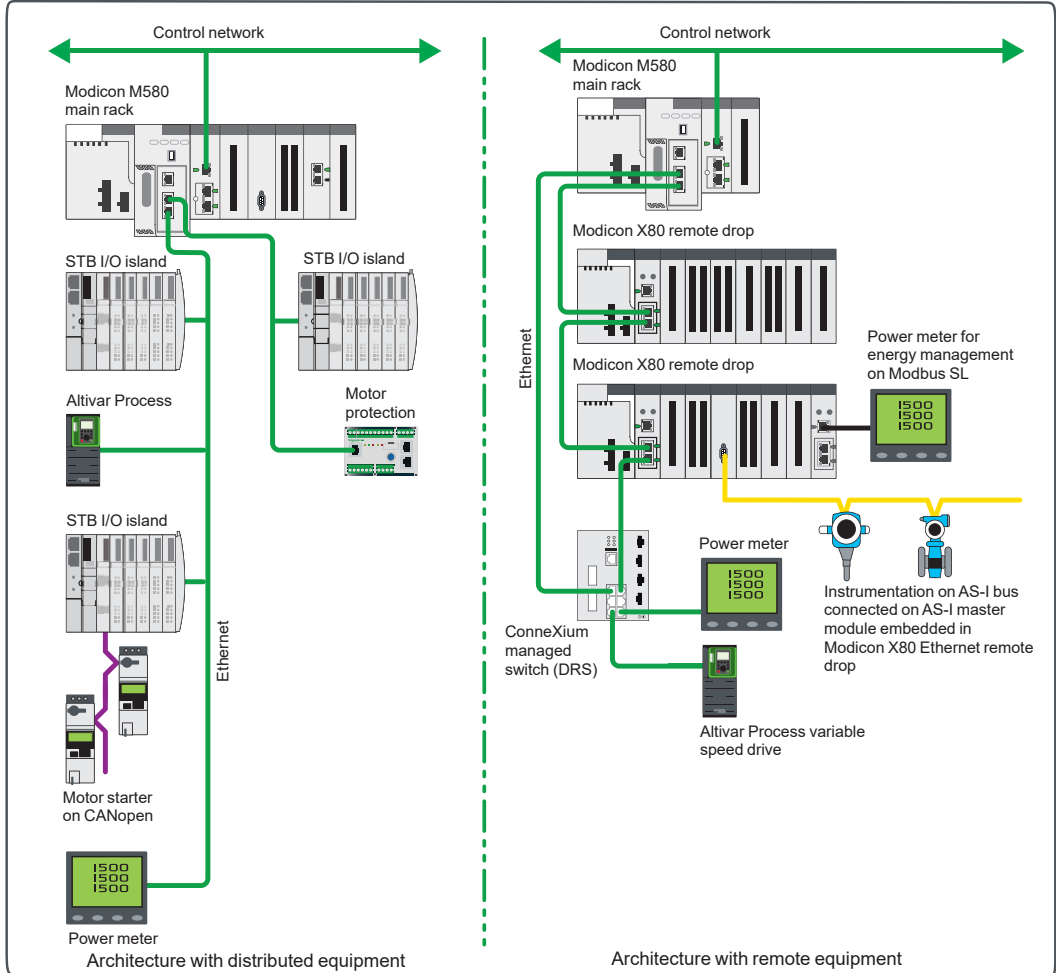
Modicon M580 automation platform

I/O architectures

Example architecture

2

Application in Food & Beverage segment
Example of a standalone architecture for dairy application



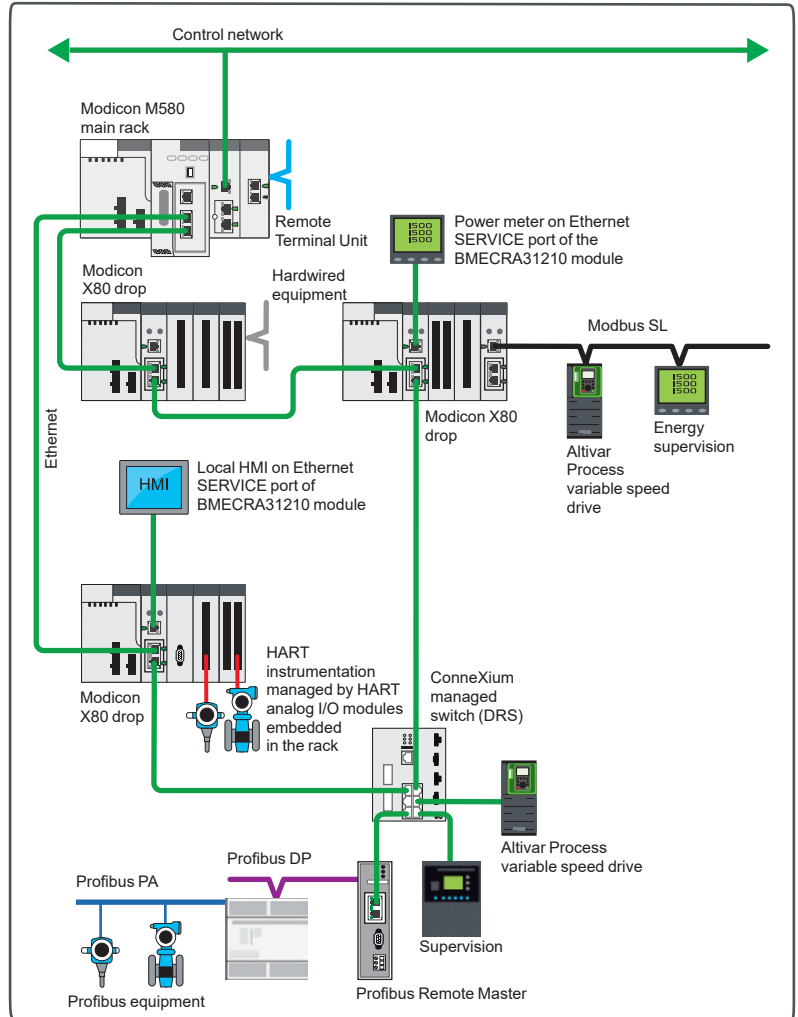
Example of a standalone architecture: Dairy application

Note: These architecture representations are conceptual network diagrams and do not represent actual wiring specifications.

Modicon M580 automation platform

I/O architectures
Example architecture

Application in Water & Waste Water segment
Example of a standalone architecture for a pumping station application



Example of a standalone architecture: Pumping station application

2

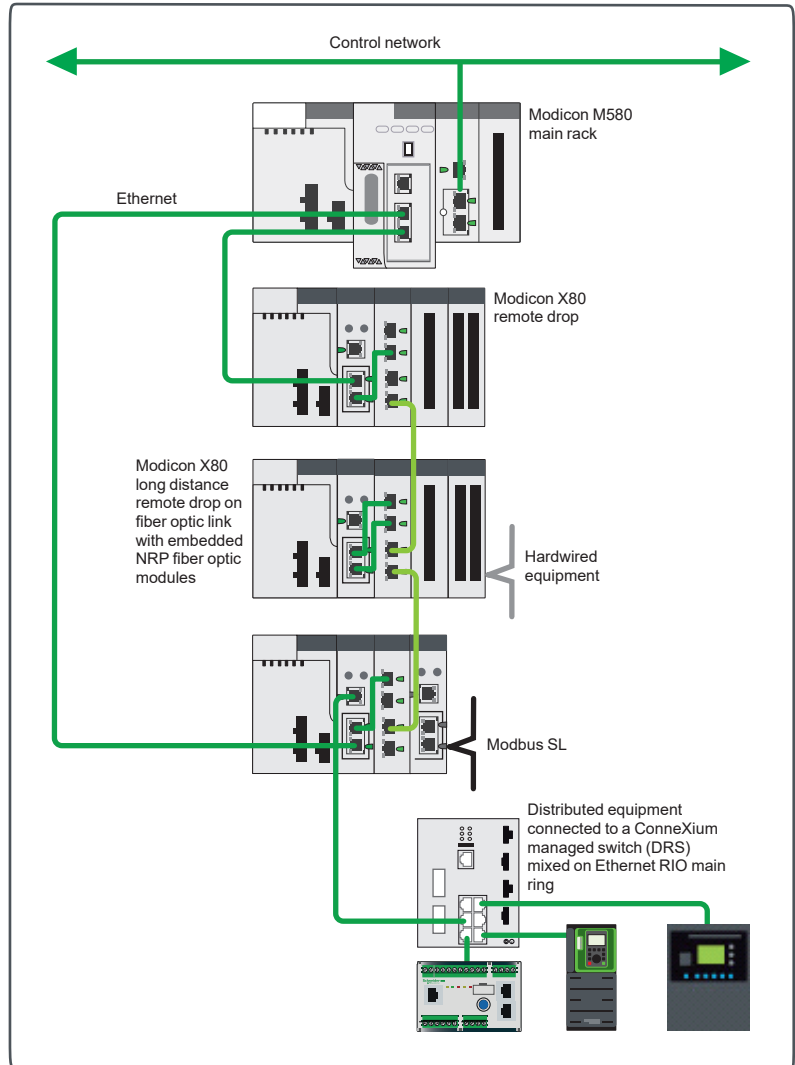
Modicon M580 automation platform

I/O architectures

Example architecture

2

Application in Power Generation segment
Example of an architecture for a medium hydropower local control unit



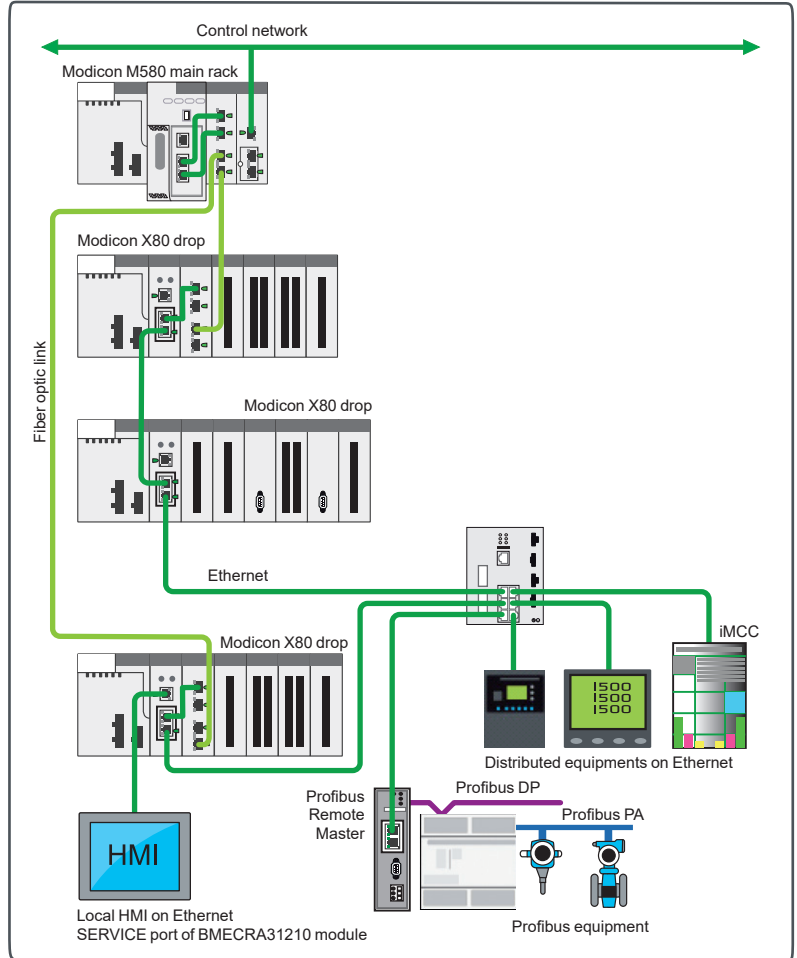
Example of a standalone architecture: Hydropower application

Modicon M580 automation platform

I/O architectures
Example architecture

Application in Mining, Mineral & Metals segment

Example of a standalone architecture for a mining extraction application



Example of a standalone architecture: Mining extraction application

2

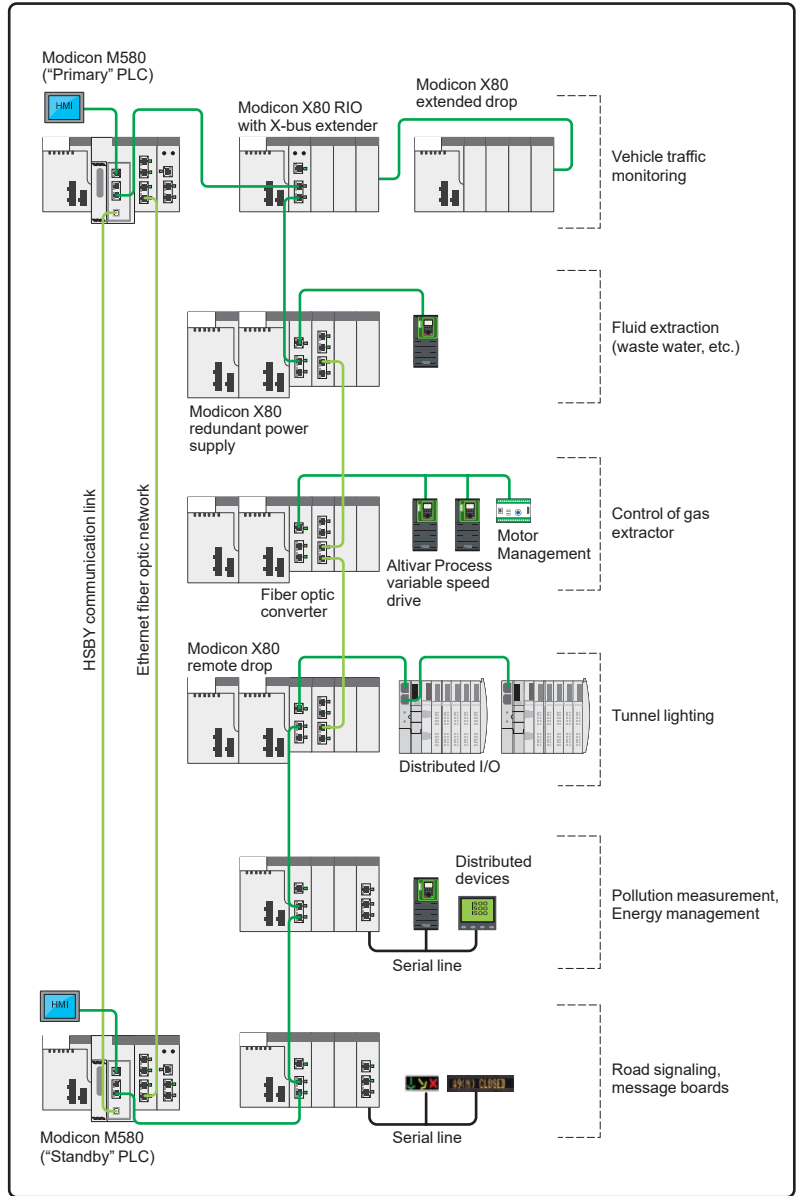
Modicon M580 automation platform

I/O architectures

Example architecture

2

Application in Infrastructures segment
Example of a high-availability architecture for a tunnel application

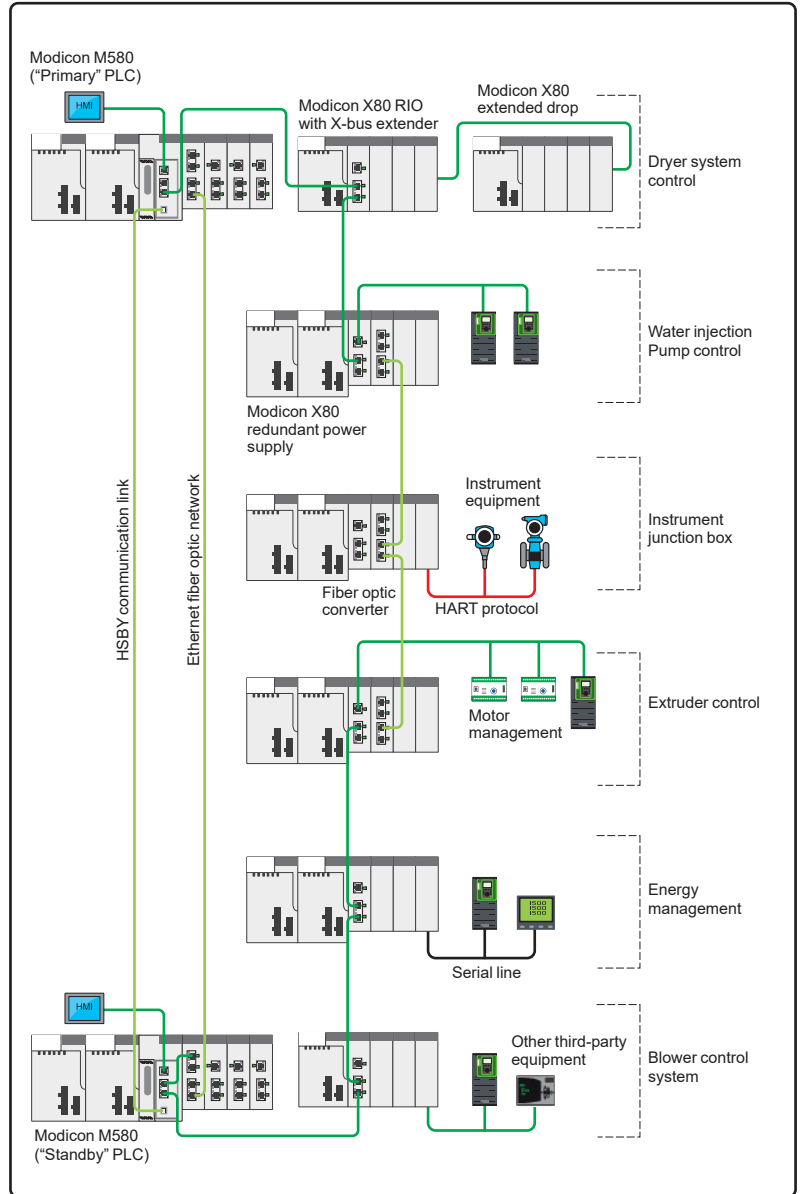


Example of a high-availability architecture: Tunnel application

Modicon M580 automation platform

I/O architectures
Example architecture

Application in Oil & Gas segment
Example of a high-availability architecture for a petrochemical application



Example of a high-availability architecture: Petrochemical application

Type of splitter box and module	Monobloc IP 67 I/O splitter boxes
	Modicon ETB



Available buses and networks	Ethernet Modbus TCP/IP EtherNet/IP
Max. number per connection point	
Discrete I/O	Modularity Splitter box with 16 configurable I/O, 16 I, 12 I + 4 O, or 8 I + 8 O
	Input voltage 24 V $\overline{\text{DC}}$
	Output voltage 24 V $\overline{\text{DC}}$
Analog I/O	–
Application-specific I/O	–
I/O connection	M12 connectors
Type of housing	Plastic
Type of module	ETB1E●●●
Pages	Please consult the catalog pages on our website www.schneider-electric.com

Monobloc IP 20 distributed I/O	Optimum IP 20 distributed I/O	Modular IP 20 distributed I/O
Modicon Momentum	Modicon OTB	Modicon STB



Ethernet Modbus TCP/IP Modbus Plus Fipio INTERBUS Profibus DP DeviceNet	Ethernet Modbus TCP/IP CANopen Modbus (RS 485)	Ethernet Modbus TCP/IP EtherNet/IP CANopen Modbus Plus Fipio INTERBUS Profibus DP DeviceNet
1 I/O base with 1 CPU or 1 communication module	1 interface module + 7 Twido expansion modules	1 NIM (Network Interface Module) + 32 I/O modules
I/O base with 16 I, 32 I, 8 O, 16 O, 32 O, 10 I/8 O, 16 I/8 O, 16 I/12 O and 16 I/16 O	12 I/8 O (interface module) 8 I, 16 I, 32 I, 8 O, 16 O, 32 O, 4 I/4 O and 16 I/8 O (expansion modules)	Module with 2 I, 4 I, 6 I, 16 I, 2 O, 4 O, 6 O or 16 O
24 V $\overline{\text{DC}}$, 120 V \sim and 230 V \sim	24 V $\overline{\text{DC}}$	24 V $\overline{\text{DC}}$, 115 V \sim and 230 V \sim
24 V $\overline{\text{DC}}$ V, 120 V \sim and 230 V \sim and relay	24 V $\overline{\text{DC}}$ and relay	24 V $\overline{\text{DC}}$, 115/230 V \sim and relay
8 I, 16 I or 4 O voltage/current I/O bases I/O base with 4 thermocouple or probe inputs	2 I, 4 I, 8 I, 1 O, 2 O, 2 I/1 O and 4 I/2 O (expansion modules) voltage/current, thermocouple or temperature probe	Modules with 2, 4 or 8 inputs and 1 or 2 outputs (voltage/current) Module with 2 thermocouple or probe inputs
10 kHz/200 kHz 2-channel counter sub-base	Integrated in interface module: - Two 5 kHz/20 kHz channels - 2 PWM function channels	Counter module with one 40 kHz channel HART multiplexer module - 4 HART channels per HART multiplexer module - Up to 8 HART multiplexer modules per island
6 I/3 O 120 V \sim sub-base with 1 Modbus port	–	Parallel interface modules for TeSys Quickfit and TeSys U motor starters, integrated connection for third-party CANopen products
Screw or spring-type removable terminal blocks	Removable screw terminal block (interface module) Removable screw terminal block, non-removable spring-type terminal block and HE 10 connector (expansion modules)	Removable screw or spring-type connectors, Telefast connectors
Plastic		
170A●	OTB1●0DM9LP	STB●●●
Please consult the catalog pages on our website www.schneider-electric.com		

Modicon STB distributed I/O solution

Open and modular system

2



Presentation (1)

To meet the needs of machine manufacturers and users, automation architectures have been decentralized while delivering performance close to that of centralized systems.

Architectures based around islands installed as close to the machine as possible reduce the time and cost of wiring for sensors and actuators, while increasing system availability.

The Modicon STB distributed I/O solution is an open, modular input/output system that makes it possible to design automation islands managed by a master controller via a bus or communication network.

These islands can be used to connect:

- TeSys U or TeSys T starter-controllers
- Altivar variable speed drives
- FTB IP 67 distributed I/O
- OsiSense rotary encoders
- Magelis operator dialog terminals
- Approved third-party products via the CANopen bus: Bosch, Festo, Parker solenoid valves, Balluff linear encoders, etc. (1)

Advantys software guides users through the design phase, start-up, and even maintenance of the system. This single software package covers the Modicon STB, OTB, FTB, and FTM ranges.

The island components are electronic modules mounted on one or more DIN rails. These clusters of modules, known as segments, carry a bus from beginning to end of each island. The island bus provides power distribution, signal sensing, and power management to compatible modules, in the form of a wiring management system.

The Modicon STB I/O family is divided into 2 groups of modules:

- **Basic modules:** A complete set of low-cost modules, with simplified operating modes
- **Standard modules:** An expanded offer of I/O modules, with additional functions: Configurable parameters, expanded operating modes

The basic range comprises:

- PDM power distribution modules (24 V $\overline{\text{---}}$ and 115/230 V \sim)
- I/O modules:
 - Discrete I/O (24 V $\overline{\text{---}}$)
 - Analog I/O (10-bit resolution)

The standard range comprises:

- NIM modules: network interfaces
- PDM power distribution modules (24 V $\overline{\text{---}}$ and 115/230 V \sim)
- I/O modules:
 - Discrete I/O (24 V $\overline{\text{---}}$ and 115/230 V \sim)
 - Analog I/O (10, 12 and 16-bit resolution)
 - Relay outputs (24 V $\overline{\text{---}}$ coil and 24 V $\overline{\text{---}}$ contact or 115/230 V \sim)
- Application module: Counter module, HART multiplexer module
- Dedicated module: For TeSys U and TeSys Quickfit applications
- EOS end of segment and BOS beginning of segment modules
- External equipment support module on CANopen expansion module

Standard and basic modules can be combined on the same island. Combining them in this way allows a wide range of functions (1).

The sensors and actuators are connected to the I/O modules via removable screw or spring-type terminals (2).

Standard Modicon STB I/O modules are hot-swappable, provided the network interface modules are also standard type.

Modicon STB distributed I/O islands have a protection rating of IP 20. For installations in production workshops, they must be housed in enclosures providing at least IP 54 (complying to IEC 60950 or NEMA 250) (1).

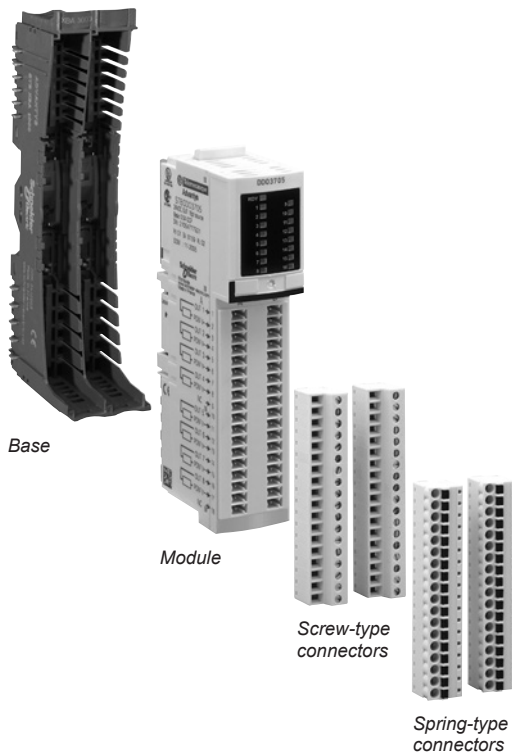
Color code	Type of module
Yellow	NIM network interface EOS/BOS island expansion CANopen expansion
Light blue	24 V $\overline{\text{---}}$ discrete inputs
Dark blue	24 V $\overline{\text{---}}$ supply distribution 24 V $\overline{\text{---}}$ discrete outputs
Pink	115 V \sim or 230 V \sim discrete current inputs
Red	115/230 V \sim supply distribution 115/230 V \sim discrete current outputs
Black	Discrete relay outputs TeSys U and TeSys Quickfit interface, counter module
Light green	Analog inputs
Dark green	Analog outputs

(1) For further information, please consult our "Modicon STB IP 20 distributed I/O" catalog available on our website www.schneider-electric.com.

(2) For much easier wiring and to free up space in the electrical cabinet, Modicon STB 16-channel discrete I/O modules can be combined with Modicon Telefast ABE 7 pre-wired or adapter blocks.

Modicon STB distributed I/O solution

Open and modular system



Modicon STB modules (1)

The Modicon STB module references allow you to acquire the following items under a single reference:

- A module
- Its base
- The appropriate screw-type and/or spring-type connectors

The following table gives the contents of the Modicon STB modules and the general form of their references (1).

Module	Contents	Reference (1)
NIM network interface	Module, screw-type and spring-type connectors (base not required), bus terminator, documentation on mini CD-ROM (2) (3)	STBN●●●●●
Power distribution module (PDM)	Base, module, screw-type and spring-type connectors	STB●●●●●K
Discrete I/O (except 16-channel)		
Analog I/O		
EOS and BOS island bus expansion module		
CANopen bus expansion module		
Auxiliary power supply		
TeSys U and TeSys Quickfit interface		
Discrete I/O 16-channel	Base, module, screw-type connectors	STBDD●37●5KS
	Base, module, spring-type connectors	STBDD●37●5KC
	Module (4)	STBDD●37●5
Counting	Base, module, spring-type connectors	STBEHC3020KC

(1) For further information, please consult our "Modicon STB IP 20 distributed I/O" catalog available on our website www.schneider-electric.com.

(2) DeviceNet STBNDN●●●● NIM network interface module: order the 5-way screw and spring-type removable terminals (fieldbus connection) separately (1).

(3) An English language mini-CD-ROM containing the user documentation, a label template and one exchange file per network type. The user documentation is also available on our website www.schneider-electric.com.

(4) For use with the Modicon Telefast ABE 7 pre-wired or adapter system:

- STBXBA3000 base to be ordered separately (1)

- Telefast ABE 7 base and connection accessories to be ordered separately (1)

Modicon STB distributed I/O solution

Open and modular system

Composition of a Modicon STB island (1)

A Modicon STB island is made up of one or more segments comprising PDMs (*Power Distribution Modules*) and I/O modules.

The island begins with a NIM network interface module and ends with a bus terminator supplied with the NIM.

An island can be made up of a single segment or a primary segment and up to 6 expansion segments.

The island's segments are chained by EOS (*End Of Segment*) and BOS (*Beginning Of Segment*) internal bus expansion modules.

On each segment:

- Place the PDMs immediately to the right of the network interface modules or expansion modules.
 - Place the I/O modules to the right of the PDM module supplying them with power.
 - Each module (with the exception of the NIM network interface module), is held in a fixing base on the DIN rail.
- Three module and base widths are possible. On the DIN rail, the overall width needed for a segment is the sum of widths of the network interface module, the bases and any bus terminator.

The bases provide continuity of the internal bus, auto-addressing of the modules, and separated and isolated distribution of the internal power supplies, actuators (outputs) and sensors (inputs).

The advantages of this arrangement are:

- Unplugging modules:
 - When switched off (*cold swap*), modules can be unplugged very quickly
 - When switched on (*hot swap*), I/O modules can be unplugged provided the network interface module is the standard type
- Output power supply independent of inputs: For example, if an output power supply is cut by a Preventa module, the inputs are still managed.
- Immunity of inputs: For example, the closing of power contactors (controlled by outputs) does not disturb analog input measurements.

Network Interface Module (NIM):

This module manages communications on the island bus. It acts as a gateway for exchanges with the fieldbus or network master.

Various NIM network interface modules (only standard type) are available for the following major fieldbuses or industrial networks:

- Ethernet Modbus TCP/IP: Single or double port Network Interface Modules
- EtherNet/IP, Modbus Plus and Fipio: Only standard type NIM network interface modules
- CANopen, INTERBUS, Modbus Plus, Fipio, Profibus DP and DeviceNet

(1) For further information, please consult our "Modicon STB IP 20 distributed I/O" catalog available on our website www.schneider-electric.com.

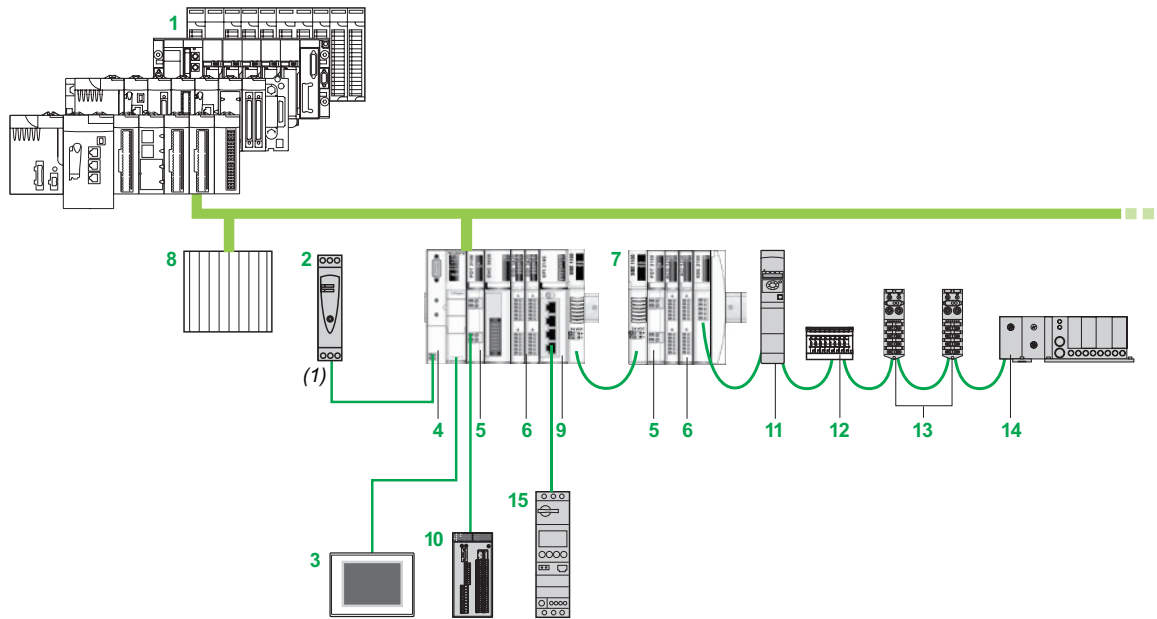
Modicon STB distributed I/O solution

Open and modular system

Control system configuration example (1)

NIM network interface modules STBN●●2●1●, located at the beginning of each island, are gateways for exchanging data between the network or bus master PLC and the Modicon STB automation island.

Standard NIM network interface modules STBN●●2●1● can be used to configure and address the installation external devices. These settings are stored in the module's internal RAM or Flash memory. Optionally, they can be saved to the 32 KB removable SIM card STBXMP4440 (except for the address of the network connection point) to duplicate the configuration from one island to another.



The control system configuration in the above example comprises:

- 1 Modicon M580/M340/Premium/Quantum automation platform
- 2 24 V $\bar{\text{---}}$ external power supply
- 3 HMI terminal with Magelis XBT, XBT G, XBT GT, etc, type Modbus link (1)
- 4 Network Interface Module (NIM)
- 5 Power Distribution Module (PDM)
- 6 I/O modules
- 7 Second STB segment
- 8 Another control system
- 9 Parallel interface module for TeSys U and TeSys Quickfit starter-controllers
- 10 Configurable Preventa XPS MC safety controller connected on the power supply to the outputs of power distribution module STBPDT●100K
- 11 ATV 32 variable speed drive
- 12 Festo solenoid valves
- 13 Modicon FTB IP 67 I/O
- 14 Parker solenoid valves
- 15 TeSys U starter-controller

(1) For further information, please consult our "Modicon STB IP 20 distributed I/O" catalog available on our website www.schneider-electric.com.

Communication selection guide page 3/2

EcoStruxure Plant Ethernet architectures

- **Architecture** page 3/6
- **Industrial Ethernet communication services**
 - Presentation page 3/8
 - Functions page 3/9
- **Performance** page 3/14
- **Embedded web pages** page 3/20
- **Modbus/TCP and EtherNet/IP network module and FactoryCast network module**
 - Presentation page 3/24
 - Description , references page 3/25

Web servers and gateways selection guide page 3/26


- **IEC 61850 communication module**
 - Presentation, description, references page 3/28

Other buses and networks


- **Modbus Plus Proxy module**
 - Presentation page 3/30
 - References page 3/31
- **Profibus Remote Master module**
 - Presentation page 3/32
 - References page 3/33

Modicon M580 automation platform

Communication, integrated ports, and modules

Applications		Ethernet communication			
Type of device		Processors with integrated Modbus/TCP port			
					
Network protocols		EtherNet/IP and Modbus/TCP			
Structure	Physical interface	10BASE-T/100BASE-TX			
	Type of connector	RJ45			
	Access method	CSMA-CD			
	Data rate	10/100 Mbps			
Medium		Double twisted pair copper cable, category CAT 5E			
Configuration	Maximum number of devices	128 DIO (3)	31 RIO drops and 64 DIO (3)	64 DIO (3)	
	Maximum length	100 m/328 ft (copper cable), 4,000 m/13,123 ft (multimode optical fiber), 32,500 m/106,627 ft (single-mode optical fiber) (1)			
	Number of modules of the same type per station	1			
Standard services		Modbus/TCP messaging and EtherNet/IP services			
Embedded web server services	Standard services	Status Summary, Performance, Port Statistics, I/O Scanner, Quality of Service (QoS), Messaging, Network Time Service, Redundancy, and Alarm Viewer (2)			
	Advanced services	-			
Transparent Ready communication services	I/O Scanning	Yes			
	Global Data	-			
	NTP time synchronization	Yes			
	FDR	Yes (server)			
	SMTP e-mail notification	-			
	SOAP/XML web service	-			
	SNMP network management	Yes			
	RSTP redundancy	Yes			
RTU communication services	Master or Slave configuration	-			
	Time and date stamped data exchange	-			
	RTU time synchronization	-			
	Management and buffering of time and date stamped events	-			
Data Logging service	Automatic transfer of time and date stamped events to the Master/SCADA	-			
		Yes			
Compatibility with processor		-			
Processor or module references depending on other type of integrated port (5)	None				
	Serial link				
	Ethernet Modbus/TCP				
	CANopen				
	DIO service				
Page		1/27	BMEP58●020	BMEP58●040	BMEH58●040

(1) Fiber requires use of other products (for example, an Ethernet switch or the **BMXNRP020●** module) to convert from the twisted pair connectors (RJ45) that these products have.
 (2) For **BM●584040/5040/6040** processors, Rack Viewer is now available.
 (3) Including 3 connections reserved for peer-to-peer communications ("local slaves" function).

Ethernet communication		RTU communication	
Ethernet modules		RTU module	
			
EtherNet/IP and Modbus/TCP		Modbus/TCP, IEC 60870-5-104, DNP3 (subset level 3)	Serial link, external modem link, IEC 60870-5-101, DNP3 (subset level 3)
10BASE-T/100BASE-TX		10BASE-T/100BASE-TX (Modbus/TCP), PPPoE (Point-to-Point Protocol over Ethernet) for ADSL external modem link	Non-isolated RS 232/485 (serial link), non-isolated RS 232 (radio, PSTN, GSM, GPRS/3G external modem link)
3 RJ45 connectors (2 connectors for a ring topology) plus Ethernet backplane connection		RJ45	RJ45
CSMA-CD		CSMA-CD (Modbus/TCP), Master/slave (IEC 104/DNP3)	Master/slave (IEC 101/DNP3)
10/100 Mbps		10/100 Mbps (Modbus/TCP)	0.3...38.4 Kbps (serial link)
Double twisted pair copper cable, category CAT 5E			Double shielded twisted pair copper cable, crossover serial cable (serial link), direct serial cable (external modem link)
128 (EtherNet/IP or Modbus/TCP) (4)		128 (Modbus/TCP), 64 slaves/servers (IEC 104/DNP3)	32 max.
100 m/328 ft (copper cable), 4,000 m/13,123 ft (multimode optical fiber), 32,500 m/106,627 ft (single-mode optical fiber)			1,000 m/3,281 ft (serial link with insulating case)
Up to 6 Ethernet modules per station depending on processor	Up to 2 Ethernet modules on local processor rack	Up to 8 RTU modules per station depending on processor	Depending on application-specific channels (20/36 application-specific channels with BMEP58●0●0)
Modbus/TCP messaging and EtherNet/IP services		Modbus/TCP messaging	Reading/writing discrete and analog I/O, counters
Standard level PLC web diagnostics		Status Summary, Performance, Port Statistics, I/O Scanner, Quality of Service (QoS), Network Time Service, Messaging, IP forwarding, IPsec, time synchronization, SMTP, embedded switch, multiple diagnostics	-
-	Custom web pages, Rack Viewer, ePAC Program Viewer, customizable dashboard, and Trend Viewer	Hosting and display of user web pages	-
Yes		-	
-		-	
-		Yes	
Yes (server)		Yes (client)	-
-		Yes	-
-		Server	-
Yes		Yes (agent)	-
Yes		-	
-		-	
-		Yes, IEC101/104 and DNP3	
-		Interrogation via polling and exchanges on change of status (RBE), unsolicited messaging	
-		Yes, IEC101/104 and DNP3	
-		Yes, IEC101/104 and DNP3	
-		Yes, IEC101/104 and DNP3	
-		Buffer holding 10,000 events (per connected client, 4 clients max.)	
-		Yes, on SD 128 MB memory card, in CSV files, access via FTP, or sent by e-mail	
All Modicon M580 processors		All Modicon M580 BMP58●●●● standalone processors	
BMENOC0301	BMENOC0311	BMENOC0321	
			BMXNOR0200H
			BMXNOR0200H
3/25	Please consult the "Modicon X80 I/O platform" catalog available on our website www.schneider-electric.com		

(4) Including 16 connections reserved for peer-to-peer communications ("local slaves" function).
 (5) CANopen can be used, but it is necessary to use Modicon STB I/O. Please consult the "IP 20 distributed inputs/outputs - Modicon STB" catalog available on our website www.schneider-electric.com.

Modicon M580 automation platform

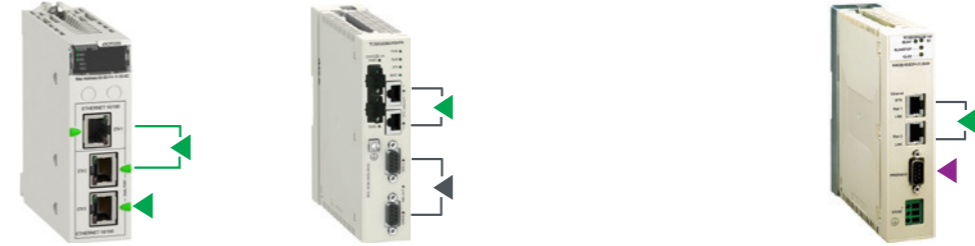
Communication, integrated ports, and modules

Applications	AS-Interface communication	Serial link communication	CANopen master
Type of device	AS-Interface actuator/sensor bus module	2-channel serial link module	CANopen communication module



Network protocols		AS-Interface	Modbus and Character mode	CANopen
Structure	Physical interface	AS-Interface V3 standard	Non-isolated RS 232, 8-wire Isolated RS 485, 2-wire	ISO 11898 (9-way SUB-D connector)
	Type of connector	3-way SUB-D	2 RJ45 and 1 RJ45	9-way SUB-D
Access method	Access method	Master/slave		Master/slave
	Data rate	167 Kbps	0.3...115.2 Kbps in RS 232 0.3...57.6 Kbps in RS 485	500 Kbps at 100 m/328 ft 1 Mbps at 20 m/66 ft
Medium		2-wire AS-Interface cable	Shielded twisted pair copper cable	Twisted shielded pair cable
Configuration	Maximum number of devices	62 slaves	2 per drop, 16 per Ethernet remote I/O (RIO) network max.	63 slaves
	Maximum length	100 m/328 ft, 500 m/1,640 ft max. with 2 repeaters	15 m/48 ft with non-isolated RS 232, 1,000 m/3,281 ft with non-isolated RS 485	100 m/328 ft 2,500 m/8,202 ft with repeater
	Number of modules of the same type per station	Depending on processor: up to 8 AS-interface modules in local rack	All M580 processors: 36 application-specific channels (1 application-specific channel = 1 counter, motion control module, or serial link channel)	–
Standard services		BMECRA31210 Ethernet drop adapter: 2 AS-Interface modules	36 application specific channels max. 2 BMXNOM0200 modules per BMECRA31210 Ethernet drop adapter	–
	Transparent exchanges with the sensors/actuators	Transparent exchanges with the sensors/actuators	Read/write bits and words, diagnostics in Modbus mode Send and receive character string in Character mode	Transparent exchanges with CANopen slaves and Ethernet-based processors
Conformity class		M4 profile	–	EDS description files of the slaves
Embedded web server service	Standard service	–	–	–
	Advanced services	–	–	–
Communication services		–	–	–
		–	–	–
		–	–	–
		–	–	–
		–	–	–
		–	–	–
24 V external power supply		–	–	–
Type of processor or module depending on other integrated port	None	BMXEIA0100	BMXNOM0200	BMECXM0100
	Serial link			
	Ethernet Modbus/TCP			
Page		Please consult the "Modicon X80 I/O platform" catalog available on our website www.schneider-electric.com		

IEC 61850 communication	Modbus Plus communication	Profibus DP and Profibus PA communication
IEC 61850 Ethernet module	Modbus Plus proxy module (external)	Profibus Remote Master (PRM) module (external)

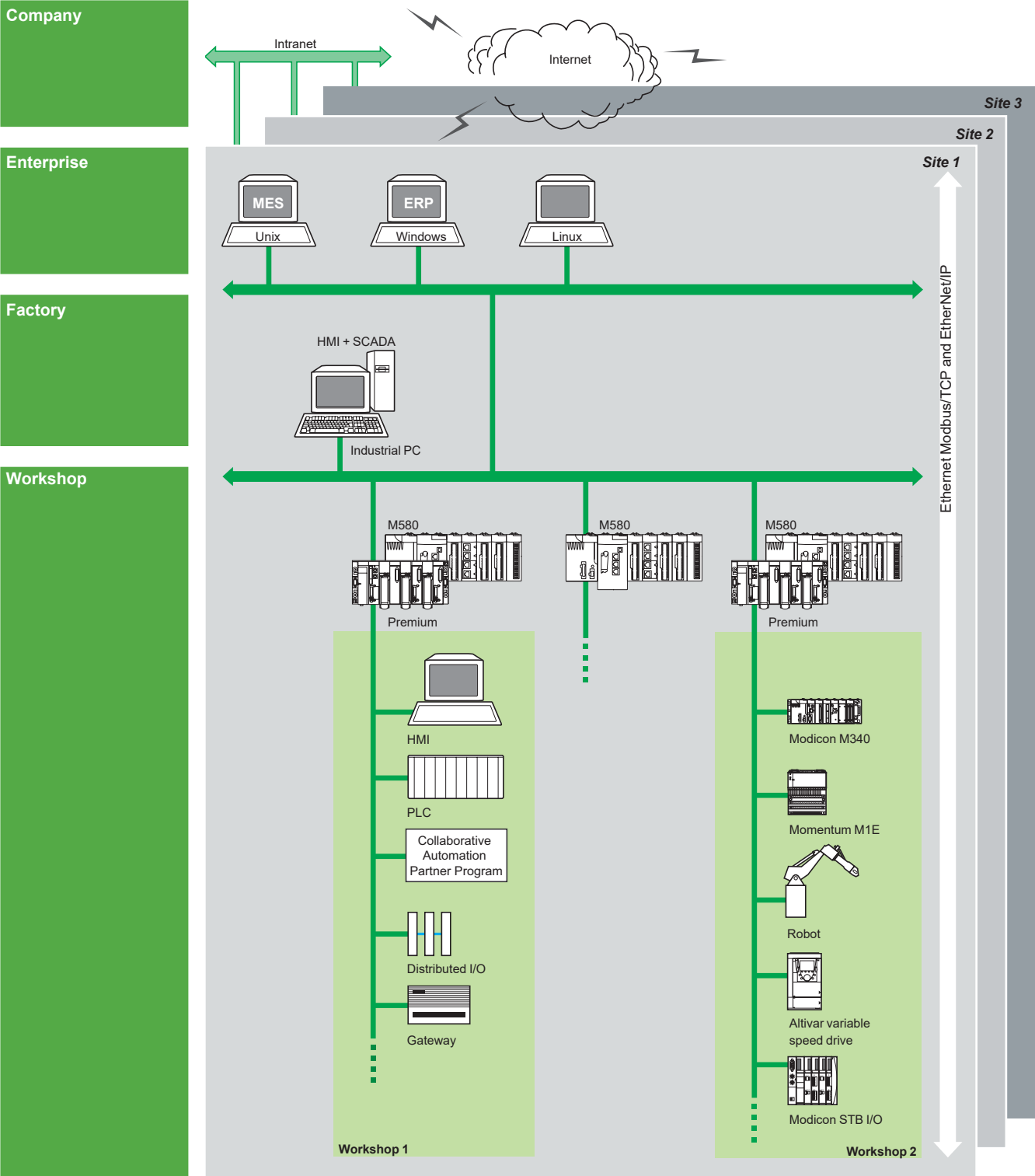


Ethernet Modbus/TCP, IEC 61850	Ethernet Modbus/TCP	Modbus Plus	Ethernet Modbus/TCP	Profibus DP V1 Profibus PA (via gateway)
10BASE-T/100BASE-TX	10/100BASE-T	Modbus Plus standard	10BASE-T/100BASE-TX	Isolated RS 485
3 RJ45 connectors (2 connectors for a ring topology) plus Ethernet backplane connection	2 RJ45 connectors	2 x 9-way female SUB-D connectors	2 RJ45 connectors (supporting daisy chain topology)	1 x 9-way female SUB-D connector
CSMA-CD	CSMA-CD	Token ring	CSMA-CD	Master/slave
10/100 Mbps	10/100 Mbps	1 Mbps	10/100 Mbps	9.6 Kbps...12 Mbps
Double twisted pair copper cable, category CAT 5E	Double shielded twisted pair copper cable, category CAT 5E (direct or crossover)	Twisted pair copper cable	Double shielded twisted pair copper cable, category CAT 5E (direct or crossover)	Shielded twisted pair copper cable
16 clients, 32 IED servers	128	32 per segment 64 for all segments	Several PRMs can be connected to the Ethernet port on the M580, M340, Premium, or Quantum PLC, as long as the I/O Scanner capacity is not exceeded	125 slaves
100 m/328 ft (copper cable), 4,000 m/13,123 ft (multimode optical fiber), 32,500 m/106,627 ft (single-mode optical fiber)	100 m/328 ft	450 m/1,476 ft per segment 1,800 m/5,905 ft with 3 repeaters	100 m/328 ft (copper)	1,200 m/3,937 ft (9.6 Kbps), 4,800 m/15,747 ft with 3 repeaters, 100 m/328 ft (12 Mbps), 400 m/1,312 ft with 3 repeaters
Up to 4 Ethernet modules per station depending on processor	1 max.	–	–	–
–	–	–	–	–
IEC 61850 MMS Client, Server, GOOSE SNMP, RSTP, NTP Client	Modbus/TCP messaging	Modbus Plus messaging	Modbus/TCP messaging	Cyclic and acyclic data exchange with slaves
–	–	–	Transparent Ready Class A20	Class 1 and Class 2
IEC 61850 MMS Client, Server, GOOSE SNMP, RSTP, NTP Client	Configuration, diagnostics	–	–	–
–	–	–	–	–
IEC 61850 MMS Client, Server	Modbus Plus server (scanned by the PLC)	Read/write variables	Modbus server (scanned by the PLC)	Master/slave communication
GOOSE	FDR service	Global Data	FDR service	Global Control service
–	SNMP agent network management service	Peer Cop service	SNMP agent network management service	Acyclic communication (read/write) in Class 1 and Class 2
–	–	–	–	Support for extended diagnostics
–	–	–	–	Auto-scanning service of slaves on the bus
–	19.2...31.2 V	–	18...30 V	–
BMENOP0300	TCSEGDB23F24FA	TCSEGPA23F14F		
3/28	3/29	3/31		

Modicon M580 automation platform

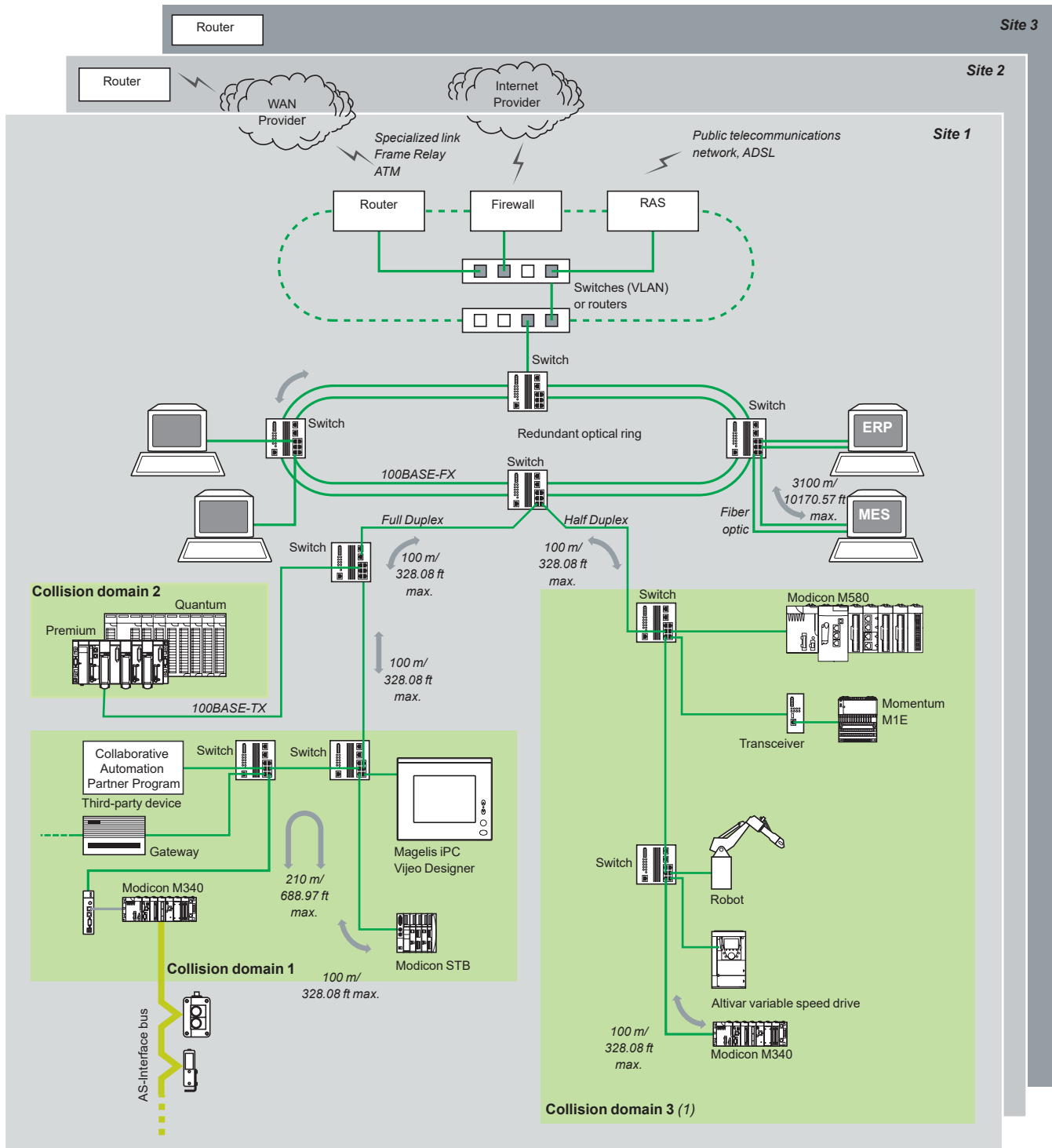
EcoStruxure Plant Ethernet architectures
Logical communication architecture

Logical communication architecture



MES: Manufacturing Execution System (production management system)
ERP: Enterprise Resource Planning (integrated management software packages)
IHM/SCADA: Human/Machine Interface and Supervision Control And Data Acquisition
Gateway: Gateway to sensor/actuator bus, installed base network, fieldbus, etc.

Physical communication architecture



(1) As a general rule, defining several collision domains can increase the size of the architecture and improve performance (see pages 7/2 to 7/7).



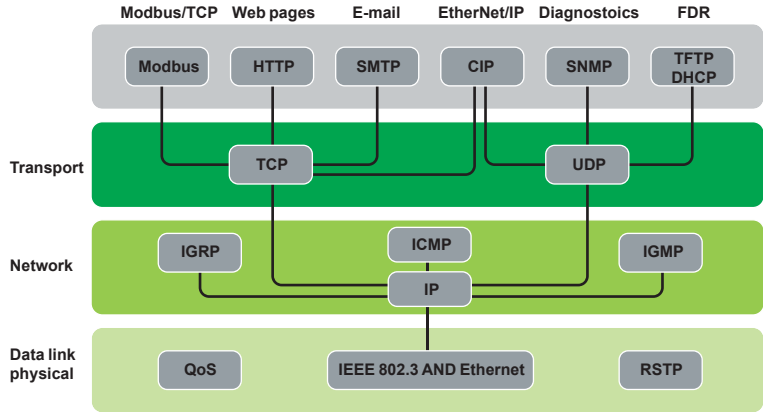
Modicon M580 automation platform

EcoStruxure Plant Ethernet architectures

Industrial Ethernet communication services

Presentation

EcoStruxure Plant Ethernet architectures provide transparent communication services to the entire operation through the implementation of standard, unmodified Ethernet protocols and services.



In addition to the typical Ethernet services (HTTP, BOOTP, DHCP, etc) Ethernet communication modules are equipped with automation-specific services, such as:

- Device scanning using Modbus TCP and EtherNet/IP
- Messaging using Modbus TCP and EtherNet/IP
- Automatic replacement device configuration using FDR (Fast Device Replacement)
- Extensive diagnostics through SNMP
- Clock synchronization using NTP
- E-mail alarm notification via SMTP
- Packet prioritization using QoS
- Ring topology redundancy through RSTP

Note: The above services may not be offered in all devices. Please refer to the Selection Guide and Reference pages for a comprehensive list of the services offered by each device.

Functions

Ethernet basic services

HTTP (RFC 1945)

HTTP (HyperText Transfer Protocol) is used to transmit web pages between a server and a browser. HTTP has been used on the Web since 1990. Web servers embedded in Schneider Electric automation products provide easy access to information and diagnostics from anywhere in the network.

BOOTP/DHCP (RFC1531)

BOOTP/DHCP is used to provide devices with IP parameters automatically. This avoids having to manage each device address individually by transferring this management to a dedicated IP address server.

DHCP (*Dynamic Host Configuration Protocol*) is used to assign configuration parameters to devices automatically. DHCP is an extension of BOOTP.

Schneider Electric devices can be:

- BOOTP clients, allowing the IP address to be retrieved automatically from a server, or
- BOOTP servers, allowing the device to distribute IP addresses to the network stations.

FTP (File Transfer Protocol) & TFTP (Trivial File Transfer Protocol) (RFCs 959, 2228, and 2640)

File transfer protocols such as FTP and TFTP provide the basic elements for file sharing. In an automation device, FTP or TFTP are often used to deliver firmware updates.

NTP (Network Time Protocol) (RFC 1305)

NTP (*Network Time Protocol*) is used to synchronize the time of a client device from a time server.

SMTP (Simple Mail Transfer Protocol) (RFC 0821)

SMTP (Simple Mail Transfer Protocol) is an e-mail transmission service. It is used to send e-mail between a sender and a recipient via an SMTP email server.

SNMP (Simple Network Management Protocol) (RFCs 1155, 1156 and 1157)

Simple Network Management Protocol (SNMP) is an Internet protocol used to manage IP-based network devices. SNMP is used to:

- Monitor network components such as computer workstations, routers, switches, bridges, and end devices to view their status.
- Obtain statistics about the network such as bandwidth utilization and detected network errors
- Change information in the device SNMP database such as when to report a high temperature condition

SNMP comprises a network manager (usually running on a computer) and agents (running on the network devices). Network management systems (NMS) are software applications used to manage SNMP managed devices.

QoS (Quality of Service) (RFC 2474)

QoS provides the ability to mark or "tag" packets of a specific type or origin so that in a congested network the switches will give higher priority to the most important packets.

RSTP (Rapid Spanning Tree Protocol)

RSTP has been implemented in Schneider Electric automation products to allow multi-port devices to be connected in ring configurations.

RSTP helps to prevent the formation of broadcast storms and monitors the state of the ring. Should a link in the ring become disconnected, the protocol routes packets in a different direction to help ensure continuity of service.

Schneider Electric offers a network management software application tailored for the industrial control environment. ConneXium Network Manager has been developed with the Automation and Controls professional in mind. ConneXium Network Manager provides a window on network equipment operation to help improve plant productivity. The software can be used to:

- Discover network devices and generate a network map
- Set network performance thresholds and provide alerts on detected anomalies to help prevent downtime
- Manage ports (multiple ports at once)
- Baseline network performance
- Document the network
- Generate a report to send to technical support
- Interface to SCADA via the built-in OPC server
- The software is compatible with third-party products as well as with Schneider Electric network devices.

Modbus/TCP function codes		dec	hex
Bit access	Read n input bits	02	02
	Read n output bits	01	01
	Read exception status	07	07
	Write 1 output bit	05	05
	Write n output bits	15	0F
	Read 1 input word	04	04
	Read n input words	03	03
	Write 1 output word	06	06
	Write n output words	16	10
	Read device ID	43/14	2B/0E

Examples of Modbus/TCP function codes for accessing data and diagnostics

Functions (continued)

Modbus standard communication protocol

Modbus, the industry communication standard since 1979, has been combined with Ethernet Modbus/TCP, the medium for the Internet revolution, to form Modbus/TCP, a completely open Ethernet protocol. The development of a connection to Modbus/TCP does not require any proprietary component, nor purchase of a license. This protocol can easily be combined with any product supporting a standard TCP/IP communication stack. The specifications can be obtained free of charge from the following website: www.modbus.org.

Modbus/TCP, simple and open

The Modbus application layer is very simple and universally familiar with its 9 million installed connections. Thousands of manufacturers have already implemented this protocol. Many have already developed a Modbus/TCP connection and numerous products are currently available. The simplicity of Modbus/TCP enables any field device, such as an I/O module, to communicate on Ethernet without the need for a powerful microprocessor or a lot of internal memory.

Modbus/TCP, high-performance

Due to the simplicity of its protocol and the fast speed of 100 Mbps Ethernet, the performance of Modbus/TCP is excellent. This allows this type of network to be used in real-time applications such as I/O scanning.

Modbus/TCP, a standard

The application protocol is identical on Modbus serial link, Modbus Plus, or Modbus/TCP. This means that messages can be routed from one network to the other without converting protocol. Since Modbus is implemented on top of the TCP/IP layer, users can also benefit from IP routing enabling devices located anywhere in the world to communicate without worrying about the distance between them. Schneider Electric offers a complete range of gateways for interconnecting a Modbus/TCP network to existing Modbus Plus or Modbus serial link networks.

The IANA organization (Internet Assigned Numbers Authority) has allocated the fixed port TCP 502 (well-known port) to the Modbus protocol. Thus Modbus has become an Internet standard.

Modbus and Modbus/TCP are recognized by the IEC/EN 61158 international standard as a fieldbus. They are also compliant with the "Chinese National Standard" managed by ITEI.

Interfacing CANopen with Modbus/TCP

CiA DSP 309-2 provides standardized mapping of CANopen data for transport on Ethernet Modbus/TCP networks. The specification reserves Modbus function code 43/13 for this purpose. This function code is reserved exclusively for CANopen.

Modbus TCP/IP characteristics

Maximum size of data:

- Read: 125 words or registers
- Write: 100 words or registers

Functions (continued)

EtherNet/IP standard communication protocol

EtherNet/IP is an industrial communications protocol based on the Common Industrial Protocol (CIP) which is owned and managed by the ODVA, an international, independent standards organization (www.odva.org).

Standard, unmodified Ethernet

Schneider Electric added EtherNet/IP as a core network in 2007. EtherNet/IP is very similar to Modbus TCP in many aspects. In particular, it shares the same principles of standardization and interoperability. EtherNet/IP operates on the same equipment and infrastructure as Modbus TCP, and both protocols can operate simultaneously on the network at any time.

Advanced services and high performance

EtherNet/IP is built on an object-based model. Data in each EtherNet/IP device is grouped in objects, and each device may have different types of objects, depending on the purpose of the device.

EtherNet/IP objects

The Ethernet modules implement the standard set of objects prescribed by the ODVA. The most common objects are listed below:

Communication	Identity Object (01hex)
	Message Router Object (02hex)
	Assembly Object (04hex)
	Connection Object (05hex)
	Connection Configuration Object (F3hex)
	Connection Manager Object (06hex)
EtherNet/IP Network	Modbus Object (44hex)
	QoS Object (48hex)
	Port Object (F4hex)
	TCP/IP Interface Object (F5hex)
Diagnostics	Ethernet Link Object (F6hex)
	EtherNet/IP Interface Diagnostic Object (350hex)
	EtherNet/IP IO Scanner Diagnostic Object (351hex)
	IO Connection Diagnostic Object (352hex)
	EtherNet/IP Explicit Connection Diagnostic Object (353hex)

Modicon M580 automation platform

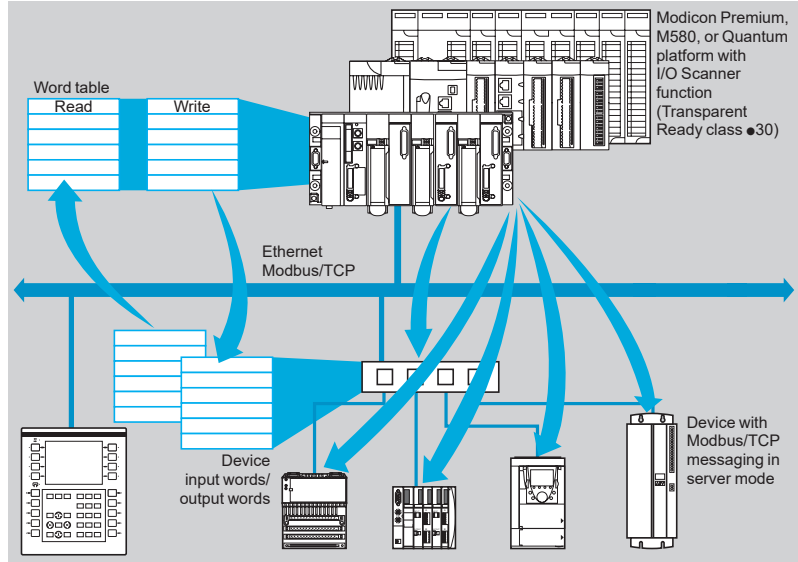
EcoStruxure Plant Ethernet architectures

Ethernet Modbus/TCP communication services

3

Functions (continued)

I/O Scanning service



The I/O Scanning Service is used to manage the exchange of remote I/O states on the Ethernet network after simple configuration, without the need for any special programming.

I/O scanning is performed transparently by means of read/write requests according to the Modbus client/server protocol on the TCP/IP profile.

This principle of scanning via a standard protocol enables communication with any device supporting Modbus TCP messaging in server mode.

This service can be used to define:

- A %MW word zone reserved for reading inputs
- A %MW word zone reserved for writing outputs
- Refresh periods independent of the PLC scan

During operation, the module:

- Manages TCP/IP connections with each remote device
- Scans devices and copies the I/O to the configured %MW word zone
- Feeds back status words used to check that the service is working correctly from the PLC application
- Applies pre-configured fallback values if a communication error is detected

A range of hardware and software products is available enabling the I/O Scanning protocol to be implemented on any type of device that can be connected to the Ethernet network.

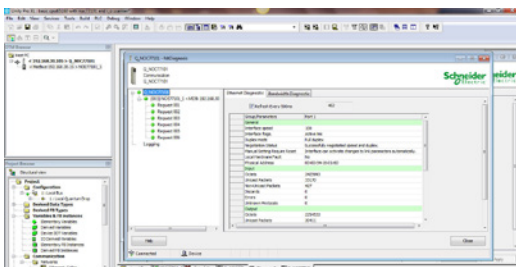
Characteristics

- Under Unity Pro software, each station can exchange a maximum of:
 - 120 write words
 - 125 read words
- Maximum size in the PLC managing the service:
 - For BME●58●●40 processors, 1 Kword %MW in inputs and 1 Kword %MW in outputs with the manager PLC limited to 64 stations
 - For BME●58●●20 processors and Ethernet communication module BMENOC03●●, 2 or 4 Kwords %MW in inputs and 2 or 4 Kwords %MW in outputs with the manager PLC limited to 128 stations

I/O Scanning service diagnostics

I/O Scanning service diagnostics can be performed in one of five ways:

- Via the application program from a specific PLC data zone
- From the setup software debug screen
- From the PLC system diagnostic function displayed by means of a web browser on a PC station
- Using standard SNMP network management software



I/O Scanning service diagnostics

Functions (continued)

FDR (Fast Device Replacement) service

The FDR service uses standard address management technologies (BOOTP, DHCP) and the TFTP (Trivial File Transfer Protocol) file management service, with the aim of simplifying maintenance of Ethernet devices.

It is used to replace an existing device with a new device that will be detected, reconfigured, and automatically restarted by the system.

The main steps in replacement are:

- 1 The device to be replaced is identified.
- 2 Another similar device is taken from the maintenance store, preconfigured with the Device name for the existing device, then reinstalled on the network. Depending on the device, addressing can be performed using rotary selector switches (as for Modicon STB distributed I/O or Modicon OTB for example) or can be given using the keypad integrated in the device (as for Altivar variable speed drives for example).
- 3 The FDR server detects the new device, allocates it an IP address, and transfers the configuration parameters to it.
- 4 The replacement device checks that all these parameters are indeed compatible with its own characteristics and switches to operational mode.

The FDR server can be:

- A Modicon M340 Ethernet network module, **BMXNOC0401**
- A Modicon M580 Ethernet network module, **BMENOC03•1**
- A Modicon Premium Ethernet module, **TSXETC101**
- A Modicon Quantum PLC Ethernet module, **140NOC77101, 140NOC78000, 140NOC78100**
- A Modicon M580 processor with integrated Ethernet port, **BME•58•••••**
- A Modicon Premium CPU with integrated Ethernet port, **TSXP57•••••M**
- A Modicon Quantum CPU with integrated Ethernet port, **140CPU65150, 140CPU65160, 140CPU65260, 140CPU65860**



FDR client device example

Modicon M580 automation platform

Ethernet Modbus/TCP network Performance

Selecting the communication architecture

When selecting an architecture, performance must be taken into account at the earliest possible stage. To do this, the developer must:

1 Know exactly what is needed:

- quantity and type of devices to be interconnected
- volume and type of exchanges
- expected response times
- environment

2 Compare the needs with the characteristics of the offers available and be aware that the actual performance level between any 2 points in an architecture depends on the weakest link in the chain, which can be:

- dependent on the hardware
- but also dependent on the applications (size, architecture, operating system, machine power rating, etc) which are often only vaguely defined at this stage of the project

3 Decide which is the most suitable architecture

The purpose of the next few pages is to provide the main information and instructions needed to answer the second point. Given that the performance of an Ethernet architecture is linked to several parameters, these pages do not supply all the information needed to calculate the network performance. Their aim is to focus on the following main aspects:

■ **Guidelines for calculating the network load** so as to design an Ethernet network that meets the application requirements

■ **Application response time** to be obtained depending on the configuration used (see pages 3/15 to 3/17)

■ **Processing capability of Modicon M340, Modicon M580, Modicon Premium, and Modicon Quantum** platforms so as to be able to select the CPU and define the number of Ethernet connections required on the PLC depending on the application (see pages 3/18 and 3/19)

Calculating the network load

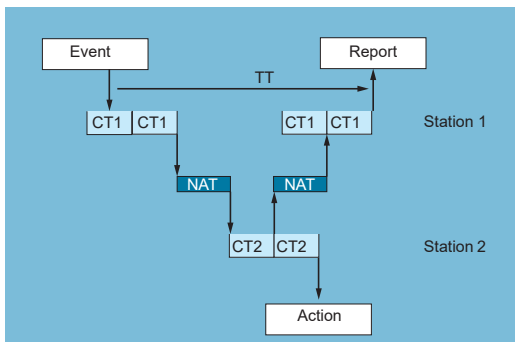
Introduction

When calculating the load on an Ethernet network, all the communication services of all the peripheral devices connected to the network need to be calculated.

Because of the outstanding performance of the Ethernet network, the load is often less than the Ethernet network limits and does not significantly affect the application response time. This phenomenon is explained by the high speed of the Ethernet network: the network transaction time is 10% less than the application response time. In order to help ensure a low network load and avoid large theoretical calculations, it is highly advisable to separate the collision domain so as to limit the network load, using only the switched network (tree, star, or daisy-chain topology).

Modicon M580 automation platform

Ethernet Modbus/TCP network Performance



Modbus messaging service response time

Application response time

Modbus messaging service response time

Exchanges between the PLC CPU and the Ethernet module are synchronous with the PLC scan cycle time (CT), just like the I/O exchanges. When an event occurs (such as an input being set to 1 for example), a message can be transmitted only after this input has been taken into account (start of the next cycle) and the PLC (Modicon M340, Modicon Premium, or Modicon Quantum) program has been executed, i.e. on average approximately 1.5 cycles after the event occurred.

The transaction time TT includes the delay between the transmission of a message from a client station 1, its reception by the server station 2, processing the request, sending back the response, and it being taken into account by station 1 (updating an output for example).

As the block diagram above shows:

- The transaction time TT will be between:

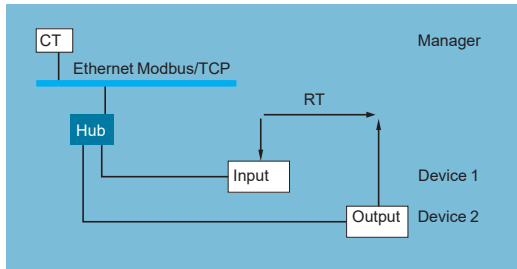
$$2 \times CT1 + 2 \times NAT < TT < 4 \times CT1 + CT2 + 2 \times NAT$$

- The average duration TT_{av} is equivalent to:

$$TT_{av} = 3 \times CT1 + 0.5 \times CT2 + 2 \times NAT$$

Modicon M580 automation platform

Ethernet Modbus/TCP network Performance



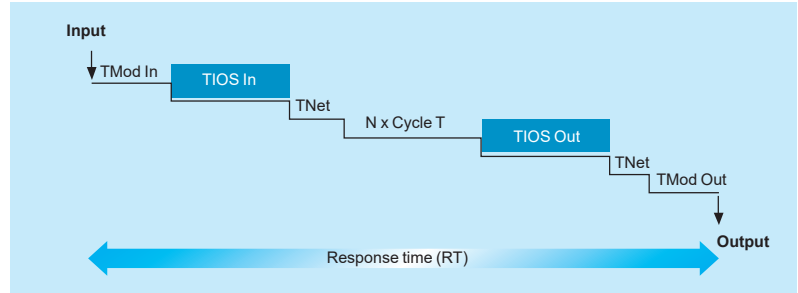
I/O Scanning service response time

Application response time (continued)

I/O Scanning service response time

The response time RT includes the time between taking account of information from a remote input and updating the state of a remote output. It includes the processing time in the PLC.

This response time RT consists of the following parameters:



- TMod In and TMod Out: Response time of the read/written device, excluding the electrical transition time at the input/output (TMod depends on the device, usually between 1 and 8 ms)
- TIOS In and TIOS Out: Time between 2 read/write operations on the same device (0.3 ms x number of devices scanned), at least equivalent to the configured scan time
- As TIOS is executed in parallel with the PLC cycle, it can be hidden from the viewpoint of the response time (RT).
- Cycle T: PLC scan cycle time
- TNet: Propagation time on the network (depends on the application, but usually TNet = 0.05 ms at 10 Mbps and 0.005 ms at 100 Mbps)

The response time RT can be estimated using the following 3 formulae:

■ RT_{min} : minimum response time with TIOS hidden and 1 PLC scan cycle:

$$RT_{min} = (TMod In + 0) \times TIOS In + (Tnet + N) \times cycle T + (0 \times TIOS Out) + Tnet + TMod Out$$

■ RT_{typic} : typical response time with 0.5 TIOS hidden:

$$RT_{typic} = (TMod In + 0.5) \times TIOS In + (Tnet + N) \times cycle T + (0.5 \times TIOS Out) + Tnet + TMod Out$$

■ RT_{max} : maximum response time with TIOS not hidden:

$$RT_{max} = TMod In + TIOS In + (Tnet + N) \times T cycle + TIOS Out + Tnet + TMod Out$$

Modicon M580 automation platform

Ethernet Modbus/TCP network Performance

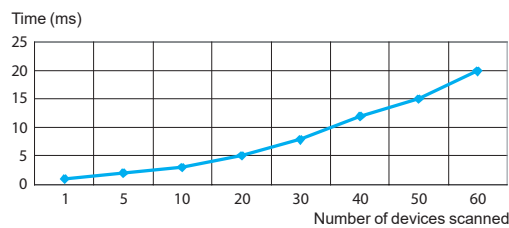
Application response time (continued)

I/O Scanning service response time (continued)

Below are the TMod In and TMod Out response times:

Type of distributed I/O	Response time	Min.	Typical	Max.
Momentum 170ENT11002	TMod In	1 ms	1 ms	1 ms
	TMod Out	5 ms	5 ms	5 ms
Momentum 170ENT11001	TMod In	4 ms	6 ms	8 ms
	TMod Out	4 ms	6 ms	8 ms
Advantys STB STBNIP2212	TMod In	2 ms	3 ms	4 ms
	TMod Out	2 ms	3 ms	4 ms

The TIOS In/TIOS Out times measured between 2 scan cycles (Ethernet network with switches) are shown below:



The number N of CPU scan cycles is shown below:

	Number of CPU cycles N	Min.	Typical	Max.
Modicon M340 platform with BMXNOC0401 and BMXNOE0100WS modules	2	2	2.5	3
Modicon M580 platform with BMENOC03●1 modules				
Premium platform with TSXETC103 and TSXETY5103 modules				
Quantum platform with 140NOC771 and 140NOC78●●● modules				
Quantum platform with 140NOC77101 and 140NOC78●00 modules				
Modicon M580 platform with BMEP58●●●● modules				
Modicon M340 BMXP342020/2030 CPUs				
Premium TSXP5726/3634M , TSXP5726/2823M and TSXP5736/4823AM CPUs	1	1	1	2
Premium TSXP5746/56/6634M CPUs				
Quantum 140CPU65150/60 CPUs				



Modicon M580 automation platform

Ethernet Modbus/TCP network Performance

3

Processing capacities of Modicon platforms

Processing capacity

Use the table below to compare, for each station, the total number of messages received via the Modbus messaging service if used (value R1, R2, or Ri) with the capacity of the station CPU.

Processing of Modbus requests per PLC scan cycle:

Modicon M580 platform		Requests per scan cycle	
		Default limit	Configurable maximum limit
Total messages received by the PLC from all the communication modules	BMEP581020	8	16
	BMEP582020	16	24
	BMEP582040	16	24
	BMEP583020	24	32
	BMEP583040	24	32
	BMEP584020	32	40
	BMEP584040	32	40
	BMEP585040	40	48
	BMEP586040	56	64
	BMEH582040	16	24
	BMEH584040	32	40
BMEH586040	56	64	

Modicon M340, Modicon Premium/Atrium platforms		Requests per scan cycle	
Total messages received by the PLC from all the communication modules (1)	TSX5710	4	
	BMXP3420/TSX5720	8	
	TSX5730	12	
	TSX5740	16	
	TSX5750/60 (2)	16/20	

Modicon Quantum platform	Integrated port limitations		Communication module limitations		Ethernet modules per PLC
	All types of communication request	Additional read/write 4x registers	All types of communication request	Additional read/write 4x registers	
140CPU311	–	–	1 message/cycle	4 messages/cycle	Up to 2
140CPU651	16 messages/cycle	16 messages/cycle	4 messages/cycle	8 messages/cycle	Up to 6

Messages/cycle: number of messages received per cycle from the PLC master task (typical cycle of 50 to 100 ms)

Ethernet transaction processing capacity

For each station, compare the total number of messages received Σ [values Ri, Rj] and the total number of messages transmitted Σ [values Ei, Ej] (for station N, for example) with the Ethernet transaction processing capacity shown below.

Use the elements below for the Ethernet connection per PLC, rather than the number of transactions required by the application.

Ethernet transaction processing capacity	Modicon M580 BME	Modicon M580 BME	Modicon M340 BMX		Modicon Premium TSX			Modicon Quantum 140	
	All processors	NOC03●1	NOC0401 NOE0100WS	P342020 P342030	ETY210 ETY110WS	ETC101 WMY100 P5710/20/30/40	P5750 P5760	NOC77101/78●●● NWM10000	CPU65●●● CPU67●●●
Modbus messaging	500 transactions/s	500 transactions/s	500 transactions/s	500 transactions/s	60 transactions/s	450 transactions/s	500 transactions/s	350 transactions/s	350 transactions/s
I/O Scanning service	7,500 transactions/s	6,000 transactions/s	2,000 transactions/s	Server mode (4)	Service not available	2,000 transactions/s (5)	2,000 transactions/s	2,000 transactions/s	2,000 transactions/s
Global Data subscription	Service not available	Service not available	800	Service not available	Service not available	800 (5)	800	800 (5)	800

(1) A temporary overload, due for example to an adjustment terminal or the temporary connection of a web browser, lasting for a few PLC scans, is permitted.

(2) Only with Unity Pro software.

(3) Only with Concept/ProWORX software.

(4) BMXP3420●0 CPUs with Modbus TCP messaging in server mode can be scanned by a device with the I/O Scanning service.

(5) TSXWMY100 and 140NWM10000 modules do not have I/O Scanning and Global Data services.

Processing capacities of Modicon platforms (continued)

Number of simultaneous TCP/IP connections

The number of simultaneous TCP/IP connections depends on the platform as well as the type of connection to the Ethernet network:

- 10/100BASE-TX port in network modules
- 10/100BASE-TX port integrated in CPUs

Number of simultaneous TCP/IP connections	Modicon M580						
	NOC0301 NOC0311	P581020	P582020 P582040 H582040	P583020 P583040	P584020 P584040 P585040 H584040	P586040 H586040	
Client	16	16	32	48	80	80	
Server		32			64		

Number of simultaneous TCP/IP connections	Modicon M340		Modicon Premium			Modicon Quantum	
	NOC0401 NOE0110	P342020 P342030	ETY210 ETY110WS	ETC101 WMY100 P5710...5760	NOC77101/78●●● CPU113/311●●● CPU434/53414B	CPU65●●● CPU67●●●	NOC77101 NOC78●00
Client	16	16	32	16 (1)	16 (1)	16 (1)	16
Server	32	32		64 (1)	64 (1)	64 (1)	32



Bandwidth management for Ethernet Modbus/TCP modules

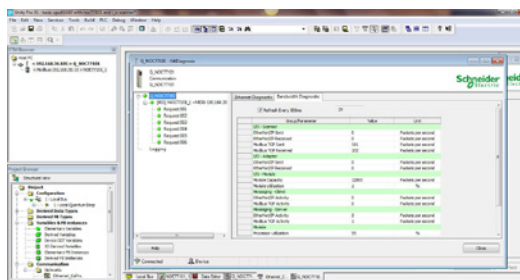
The bandwidth management service indicates the load level of the Ethernet network module. This allows the user to monitor any drift and anticipate any potential anomalies.

The Ethernet module load is indicated in one of three ways:

- Expected load in the Unity Pro configuration screen
- Actual load in the Unity Pro diagnostics/debug screen
- In the SNMP interface for access by the SNMP network manager

The bandwidth is shown as a percentage for each of the following services:

- Modbus messaging
- I/O Scanning
- Others



Bandwidth management

Ethernet solutions with Modicon M580 platforms

Modicon M580 platforms feature 2 types of connection to the Ethernet network:

- The 10/100BASE-TX port integrated in the CPUs, which also process the application and exchange data with the other modules supported by the rack and other communication ports (CANopen bus, Modbus serial link, etc)
- The multiple 10/100BASE-TX port in dedicated Ethernet modules on which, unlike the CPU with integrated Ethernet port, all the resources are allocated to Ethernet Modbus/TCP and EtherNet/IP communication

These fundamentally different hardware characteristics result in equally different capacities in terms of services and performance:

- The integrated port is a low-cost way of satisfying applications that are not too demanding in terms of communication (≤ 500 user messages/s).
- Where there are a large number of exchanges, use of a dedicated Ethernet network module is strongly recommended to help improve the performance.

(1) With 64 TCP/IP connections maximum (cumulative total of client and server connections).



Ethernet port integrated in the CPU (for example with BMEP584040 Modicon M580 CPU)

or

Dedicated Ethernet module (for example with BMENOC0301 Modicon M580 module)

Modicon M580 automation platform

Embedded web pages

3

The M580 CPU includes a Hypertext Transfer Protocol (HTTP) server. The server transmits web pages for the purpose of monitoring, diagnosing, and controlling remote access to the communication module. The server provides easy access to the CPU from standard internet browsers.

The embedded web server pages are used to display real-time diagnostic data for the M580 CPU.

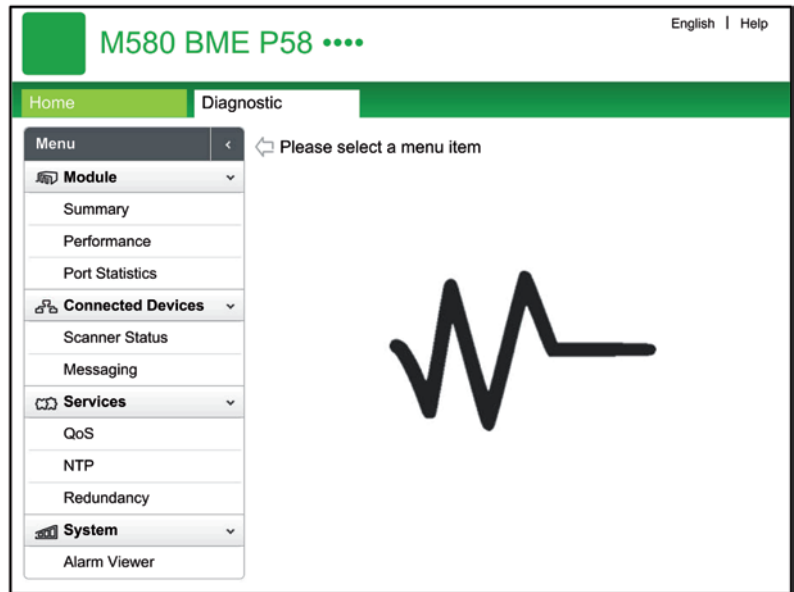
Requirements

The embedded web server in M580 CPUs displays data in standard HTML web pages. The embedded web pages can be accessed on a PC, iPad®, or Android® tablet with the following browsers:

- Internet Explorer® (V8 or later)
- Google Chrome® (V11 or later)
- Mozilla Firefox® (V4 or later)
- Safari® (V5.1.7 or later)

Diagnostic web pages

The M580 CPU Diagnostic web pages provide information on Status Summary, Performance, Port Statistics, I/O Scanner, Messaging, QoS (quality of service), Network Time Service, Redundancy and Alarm Viewer. All these pages are updated every 5 seconds to get the latest information.



Status Summary

■ RUN	ERR	I/O	CARD_ERR
MOD STATUS		CARD_ACT	
■ NETWORK STATUS			

Service Status		Version Info.	
● DHCP Server	Unknown	Exec. Version	0.4
● FDR Server	Unknown	Kernel Version	0.0
● Access Control	Unknown	Web Server Version	1.0
● Scanner Status	Unknown	Web Site Version	1.1.0.0
● NTP Status	Unknown	CIP Version	1.0

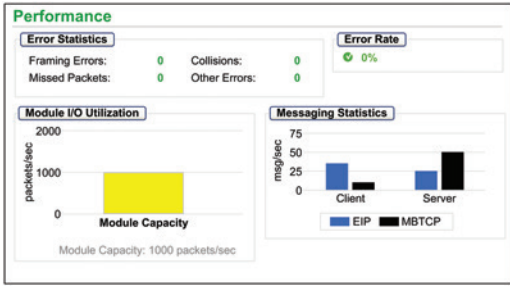
CPU Summary		Network Info.	
Model	M580 CPU	IP Address	192.168.10.1
State	RUN	Subnet Address	255.255.0.0
Scan Time	2ms	Gateway Address	0.0.0.0
Logged In	No	MAC Address	00 11 00 13 80 10
CPU Exec. Version	4.01	Host Name	FAILED
Unity Program	NO PROG		

Status summary

Status Summary page

The objects on this page provide status information.

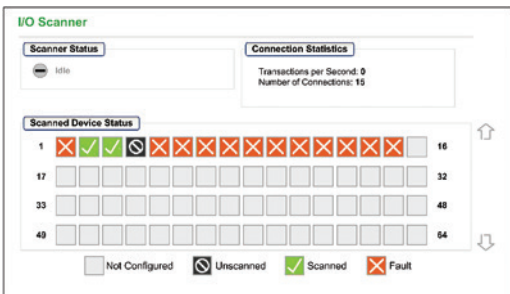
Parameters	Description
LEDs	The black field contains LED indicators (RUN, ERR, etc.)
Service Status	Green The available service is operational and running Red An error is detected in an available service Black The available service is not present or not configured
Version Info.	This field describes the software versions that are running on the CPU
CPU Summary	This field describes the CPU hardware and the applications that are running on the CPU
Network Info.	This field contains network and hardware address information and connectivity that corresponds to the CPU



Performance



Port Statistics



I/O Scanner

Diagnostic web pages (continued)

Performance page

The objects on this page provide information on performance statistics.

Field	Description
Error Statistics	This area contains the detected errors in the diagnostics data for the CPU (these counters can be reset to 0 with the Reset Counters button)
Error Rate	This percentage represents the total number of packets divided by the number of packets that are not associated with detected errors
Total Bandwidth Utilization	This value indicates the percentage of the available bandwidth that the CPU is using
Module I/O Utilization	This graph shows the total number of packets (per second) the CPU can handle at once (1)
Processor Utilization	This graph shows the number of Modbus/TCP or EtherNet/IP messages per second for the client or server (1)
System Bandwidth Monitor	These graphs show the percentage of bandwidth consumed by the Modbus messaging and I/O Scanning services (1)

Port Statistics page

This page shows the statistics for each port on the CPU. This information is associated with the configuration of the Ethernet ports and the configuration of the service/extended port.

The names of active ports are green. The names of inactive ports are gray.

The information is reset or expanded with these buttons:

- **Reset Counters:** Resets all dynamic counters to 0.
- **Detail View:** Expands the list of port statistics.

I/O Scanner page

The objects on this page provide information on the scanner status and connection statistics.

Field	Description	
Scanner Status	Enabled	The I/O scanner is enabled
	Disabled	The I/O scanner is disabled
	Idle	The I/O scanner is enabled but not running
	Unknown	The I/O scanner returns unexpected values from the device
Connection Statistics	Transactions per second	
	Number of connections	
Scanned Device Status	Colors that appear in each block indicate these states for specific remote devices	
	Gray	There is an unconfigured device
	Black	The scanning of the specific device has been intentionally disabled
	Green	A device is being scanned successfully
	Red	A device that is being scanned is returning detected errors

(1) Move the mouse over the dynamic graphs to see the current numeric values.

Messaging						
Messaging Statistics						
Messages Sent:	6513	Messages Received:	6516	Success Rate:	100.00%	
Active Connections						
Remote Address	Remote Port	Local Port	Type	Msgs. Sent	Msgs. Received	Errors
127.0.0.1	65359	502	0	2173	2172	0

Messaging

QoS	
Service Status	
Enabled	
Precision Time Protocol	
DSCP PTP Event Priority	15104
DSCP PTP General	12032
EtherNet/IP Traffic	
DSCP Value for I/O data Schedule Priority Messages	14080
DSCP Value for Explicit Messages	6912
Detail View	
Modbus/TCP Traffic	
DSCP Value for I/O Messages	11008
DSCP Value for Explicit Messages	6912
Network Time Protocol Traffic	
DSCP Value for Network Time	15104

QoS

Diagnostic web pages (continued)

Messaging page

This page shows current information for open TCP connections on port 502:

- **Messaging Statistics:** This field contains the total number of sent and received messages on port 502. These values are not reset when the port 502 connection is closed. Therefore, the values indicate the number of messages that have been sent or received since the module was started.
- **Active Connections:** This field shows the connections that are active when the Messaging page is refreshed.

QoS (quality of service) page

This page displays information about the QoS service. This service is configured in Unity Pro. When QoS is enabled, the module adds a differentiated services code point (DSCP) tag to each Ethernet packet it transmits, thereby indicating the priority of that packet.

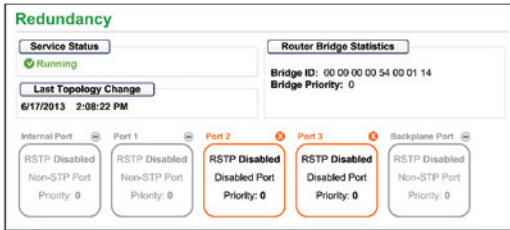
Network Time Service page

This page displays information about the NTP service. This service is configured in Unity Pro. The Network Time Service synchronizes computer clocks over the Internet for the purposes of event recording (sequencing events), event synchronization (triggering simultaneous events), or alarm and I/O synchronization (timestamping alarms).

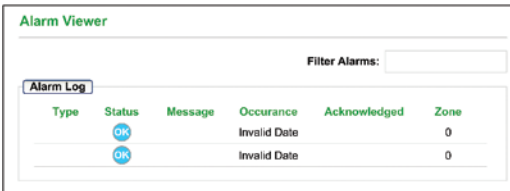
Field	Description	
Service Status	Running	The NTP service is correctly configured and running
	Disabled	The NTP service is disabled
	Unknown	The NTP service status is unknown
Server Status	Green	The server is connected and running
	Red	A bad server connection is detected
	Gray	The server status is unknown
Server Type	Primary	A primary server polls a master time server for the current time
	Secondary	A secondary server requests the current time only from a primary server
DST Status	Running	DST (daylight saving time) is configured and running
	Disabled	DST (daylight saving time) is disabled
	Unknown	The DST status is unknown
Current Date	This is the current date in the selected time zone	
Current Time	This is the current time in the selected time zone	
Time Zone	This field shows the time zone in terms of plus or minus Universal Time Coordinated (UTC)	
NTP Service Statistics	These fields show the current values for service statistics	
	Number of Requests	This field shows the total number of requests sent to the NTP server
	Success Rate	This field shows the percentage of successful requests out of the total number of requests
	Number of Responses	This field shows the total number of responses received from the NTP server
	Last Error	This field contains the code of the last error that was detected during the transmission of an email message to the network
	Number of Errors	This field contains the total number of email messages that could not be sent to the network or that have been sent but not acknowledged by the server

Network Time Service		
Service Status	Server Status	Server Type
Unknown	0.33.0.65	Unknown
DST Status	Current Date	Current Time
Unknown	7/24/2013	08:22:47
Time Zone		
UTC+02:00		
NTP Service Statistics		
Number of Requests: 1835026	Number of Responses: 655426	Number of Errors: 498775
Success Rate: 8.33%	Last Error: 0x01	

Network time service



Redundancy



Alarm Viewer

Diagnostic web pages (continued)

Redundancy page

This page displays values from the RSTP configuration in Unity Pro.

Parameters	Description
Service Status	This is the status (Enabled or Disabled) of the RSTP bridge on the corresponding CPU
Last Topology Change	These values represent the date and time that the last topology change was received for the corresponding Bridge ID
Redundancy Status	Green The designated Ethernet port is learning or formatting information
	Yellow The designated Ethernet port is discarding information
	Gray RSTP is disabled for the designated Ethernet port
Router Bridge Statistics	Bridge ID This unique bridge identifier is the concatenation of the bridge RSTP priority and the MAC address
	Bridge Priority In Unity Pro, configure the RSTP operating state of the Bridge ID

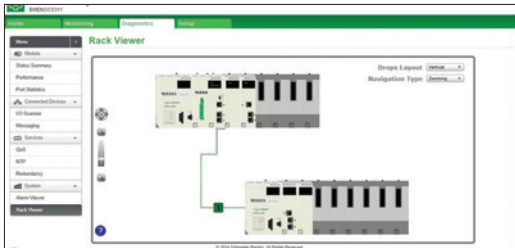
Alarm Viewer page

The Alarm Viewer page reports detected errors in the application. Information about alarm objects can be read, filtered, and sorted on this page. The type of information displayed by the Alarm Viewer is adjusted in the Filter Alarms box.

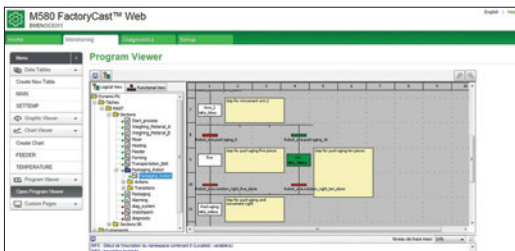
Field	Description
Type	This column describes the alarm type
Status	STOP You need to acknowledge the alarm
	ACK An alarm has been acknowledged
	OK An alarm does not require acknowledgment
Message	This column contains the text of the alarm message
Occurance	This column contains the date and time that the alarm occurred
Acknowledged	This column reports the acknowledged status of the alarm
Zone	This column contains the area or geographical zone from which the alarm comes (0: common area)



Customizable HTML5 Home page



Diagnose architecture from web browser



Simple application maintenance from web browser

3

BMENOC0301 network modules act as an interface between the M580 PLC and other Ethernet network devices via the Modbus/TCP and EtherNet/IP communication protocols.

BMENOC0301 network modules are standard format and occupy a single slot in the rack of the Modicon M580 platform. They have to be installed in the main Ethernet + X-bus backplane rack.

Functions

BMENOC0301 modules offer the following functions:

- Modbus/TCP and EtherNet/IP protocols operating simultaneously
- Ring topologies on 2 Ethernet ports using RSTP (Rapid Spanning Tree Protocol)
- Priority of Ethernet packets using QoS (Quality of Service) service
- Automatic module configuration recovery using FDR (Fast Device Replacement) service
- Embedded web server for application monitoring and module diagnostics
- Sharing data between PLCs
- Network management using SNMP (Simple Network Management Protocol)

FactoryCast

The **BMENOC0311** FactoryCast module provides additional web-based visualization of ePAC diagnostics and system data, such as:

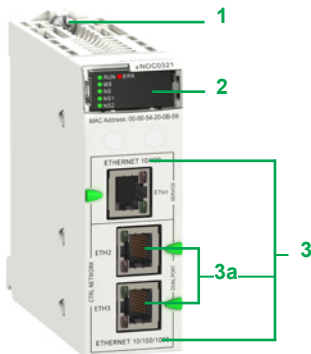
- Custom web pages: allow the user to define a personalized interface
- Rack Viewer: provides a graphical representation of the configured ePAC system including all modules and I/O status
- ePAC Program Viewer: provides a web-based view of the Unity Pro program code that animates logical states and variable values
- Customizable dashboard: allows a customized widget to be added to provide an optimum overview of the process data
- Trend Viewer: provides a graphical visualization of the variables
- Easy brand labeling: website logo and colors can be adjusted online

The customizable HTML5 Home page can display process values. It is compatible with the majority of operating systems on smartphones and tablets, such as Android, IOS, and Windows. By logging in from a common web browser, it is easy to diagnose the architecture, and perform simple maintenance without Unity Pro software.

Embedded router

The **BMENOC0321** embedded router provides bridge transparency from the control network to the device network and connectivity with functions such as:

- Embedded IP forwarding: enables communication from the control network to PACs, PLCs, PCs, HMIs, etc.
- IPsec feature: applicable when the IP forwarding function is disabled
- Time synchronization: to be able to synchronize with external time servers and update the internal clock
- SMTP (Email): to send messages and alerts about the ePAC system
- Switch embedded in the M580 platform: provides a direct connection to the processor without any cable, and no separate power supply is required
- Fast Device Replacement service
- Multiple diagnostics: supports advanced web pages to FactoryCast, MB Diagnostics, EIP Diagnostics, CNM (ConneXium Network Manager)



BMENOC0321



BMENOC0301



BMENOC0311

Description

The front panel of **BMENOC03•1** modules features:

- 1 Screw for locking the module in a slot in the rack
 - 2 Display block with 4 LEDs:
 - RUN LED (green): Operating status
 - ERR LED (red): Error detected
 - MS LED (green/red): Module status
 - NS LED (green/red): Network connection status
- Additionally for **BMENOC0321** modules, 2 LEDs are displayed as:
- NS1 LED (green/red): Ethernet network status
 - NS2 LED (green/red): Ethernet network status
- 3 3 RJ45 connectors for connection to the Ethernet network; the 2 bottom connectors **3a** support ring topologies (RSTP protocol)

Each RJ45 connector has 2 associated LEDs:

- LNK LED (yellow): Ethernet link established
- ACT LED (green): Transmission/reception activity

References

Description	Data rate	Reference	Weight kg/lb
EtherNet/IP, Modbus/TCP network module	10/100 Mbps	BMENOC0301 (1)	0.200/ 0.441
FactoryCast network module	10/100 Mbps	BMENOC0311 (1)	0.200/ 0.441
Embedded router network module	10/100 Mbps	BMENOC0321 (1)	0.200/ 0.441

(1) The Unity Pro configuration tool is supplied on CD-ROM with the module. This software is used to update the Unity Pro hardware catalog (addition of the new module DTMs).

Modicon M340 automation platform

Web servers and gateways

Applications Standalone Web Gateway/Server module for remote access

Type FactoryCast Gateway ETG10●0



Target products Type Any device supporting Modbus Any device supporting Uni-Telway

Network/Remote access services	Remote access	Intranet or via external modem and integrated RAS function	Intranet or modem, external modem and integrated RAS function
	Gateway function	Ethernet to Modbus serial Modem to Modbus serial and Ethernet	Ethernet to Uni-Telway serial Modem to Uni-Telway and Ethernet
	Serial protocols	Modbus master	Uni-Telway slave
	Ethernet protocols	Modbus/TCP	Modbus/TCP Uni-TE (Premium, Micro)
	TCP/IP protocols	BootP/DHCP, DNS, SNMP agent, SMTP client, NTP client (1), FTP	BootP/DHCP, DNS, SNMP agent, SMTP client, NTP client (1), FTP
	Security	Protection by IP address filtering and passwords	

Web server	Characteristics	HTTP and FTP server, 8 MB memory available for user, hosting of user Web pages and documents (doc, pdf, Excel)	
-------------------	-----------------	--	--

Predefined services	Configuration	Via Web Designer software or predefined Web pages	
	Diagnostics	Serial device diagnostics via predefined Web pages	
	Monitoring	Monitoring via animation tables Display of PLC Unity program in a Web page	Monitoring of devices and application via animation tables (read/write variables) Display of PLC Unity program in a Web page
	Alarm management	-	

Customizable services	Graphic views	Graphic monitoring via animated views (integrated graphic editor)	
	Unity Pro operator screen	-	
	User Web pages	Graphic monitoring via animated Web pages created by the user	

Advanced and HMI services	Calculation scripts	-	
	E-mail service	Alarm notification by e-mail	
	Data logging	-	
	Database connection	-	
	Report service	-	
	Recipe service	-	

Application development software Web Designer (supplied with each module)



Web Designer

References	TSXETG1000	TSXETG1010
-------------------	------------	------------

Catalog or website www.schneider-electric.com

(1) Except with TSXP57103M/153M Modicon Premium processors, which do not have the NTP service.

Applications Standalone Web Gateway/Server modules for remote access

Type FactoryCast HMI Gateway ETG30●●



Target products Any Modicon PLC or third-party device supporting Modbus

Network/Remote access services	Intranet or modem, external modem and integrated RAS function	Intranet or modem RTC modem and integrated RAS function	Intranet or modem GSM modem and integrated RAS function
	Remote programming, downloading via FTP, access to Web server via web browser		
	Ethernet to Uni-Telway serial, modem to Modbus serial and Ethernet		
	Modbus master		
	Modbus/TCP		
	DHCP, DNS, SNMP agent, SMTP client, NTP client (1), FTP		

Web server	Characteristics	HTTP and FTP server, 32 MB memory available for user Web pages, memory expansion using Compact Flash cards 1 GB max., hosting of user Web pages and documents (doc, pdf, Excel)	
-------------------	-----------------	---	--

Predefined services	Configuration	Via Web Designer software or predefined Web pages	
	Diagnostics	Network diagnostics, serial and Ethernet device diagnostics via predefined Web pages	
	Monitoring	Monitoring of devices and application via animation tables (read/write variables) Display of PLC Unity program in a Web page	
	Alarm management	-	

Customizable services	Graphic views	Graphic monitoring via animated views (integrated graphic editor)	
	Unity Pro operator screen	-	
	User Web pages	Graphic monitoring via animated Web pages created by the user	

Advanced and HMI services	Arithmetic and logical scripts	-	
	Alarm notification by e-mail/SMS	Alarm notification by e-mail/SMS	
	Data logging	Data recorded in the module with date and time stamping (CSV files)	
	Database connection	Direct recording in an SQL, Oracle, or MySQL server	
	Report service	Dynamic HTML report management	
	Recipe service	Management of "Recipe" data (storage and review locally or in remote database)	

Application development software Web Designer (supplied with each module)



Web Designer

References	TSXETG3000	TSXETG3010 (PSTN modem)	TSXETG3021 (GSM900/1800 MHz band) TSXETG3022 function (GSM850/1900 MHz band)
-------------------	------------	-------------------------	--

Catalog or website www.schneider-electric.com

(1) Except with TSXP57103M/153M Modicon Premium processors, which do not have the NTP service.

Presentation

IEC 61850 is the latest worldwide standard for electrical utilities. It covers information modeling, configuration language, and communication networks. Initially developed for communication in substations, implementation of the standard has advanced at a remarkable rate since its introduction, with huge numbers of IEC 61850 devices having been installed. Now considered to be the de facto standard for substation automation, it is encompassing an increasing number of new application areas, such as:

- Wind power (IEC 61400-25)
- Distributed energy resources (IEC 61850-7-420)
- Hydro power (IEC 61850-7-410)

The long-term active participation of Schneider Electric experts in IEC and UCA working groups has resulted in a state-of-the-art Schneider Electric IEC 61850 offer with full IEC 61850-8-1 functionality.

IEC 61850 with M580 helps reduce customer investment and operational costs by easily connecting their power device to the process systems.

M580 IEC 61850 helps to improve system reliability and security by:

- Getting the right data at the right time to be able to act proactively, thus increasing the reliability and availability of both the process and the power system
- Implementing robust M580 cybersecurity features to help ensure secure communication

Functionality

IEC 61850 MMS server, client, and GOOSE services can work in either Ed. 2.0 or Ed. 1.0 mode. M580 controllers support IEC 61850 standard engineering process and data objects. They also support the following data models:

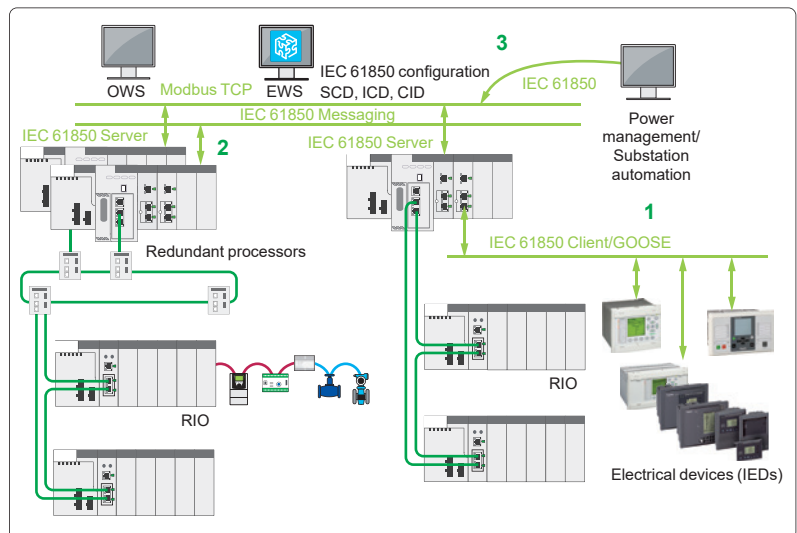
- Substation automation systems (IEC 61850-7-4)
- Hydroelectric power plants (IEC 61850-7-410)
- Distributed energy resources (IEC 61850-7-420)

The **BMENOP0300** module from the Schneider Electric EcoStruxure platform is used to implement an engineering approach by enabling IEC 61850 compliant data exchange across industrial, energy, and power system applications. This offer helps our existing PLC customers from both process and energy applications to modernize smoothly and sustainably to the new IEC 61850 standard.

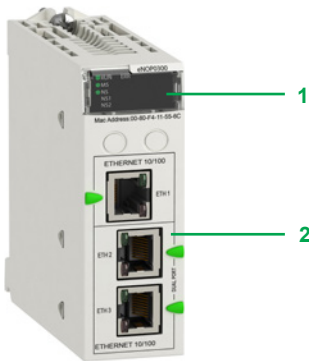
Application cases

The **BMENOP0300** module can provide different services under different roles, primarily in the following three areas:

- 1 Electrical device integration
 - IEC 61850 Client is used to communication with IEDs.
 - GOOSE is also possible.
- 2 IEC 61850 based process control
 - Process control objects are modeled with IEC61850 (hydro, DERs, etc.).
 - Server to SCADA and Client to IEDs is possible when needed.
- 3 M580 provides information to other systems
 - IEC 61850 Server is used.



Different services that **BMENOP0300** can provide



BMENOP0300

Description

The **BMENOP0300** IEC 61850 module is installed on the local Ethernet backplane of a M580 system.

The 6 LEDs on the front panel **1** are used to diagnose operating conditions:

- RUN LED (green): Operating status
- ERR LED (red): Error detected
- MS LED (green/red): Module status
- NS LED (green/red): Network connection status
- NS1 LED (green/red): Ethernet network status
- NS2 LED (green/red): Ethernet network status

With three Ethernet ports **2** to link external intelligent electrical devices (IEDs), the module provides interfaces for IEC 61850 communication as well as device management software that utilizes the IEC 61850 standard (1).

The maximum number of **BMENOP0300** modules that can be mounted on a local rack is determined by the M580 processor model:

Standalone processor model	BMEP581020	BMEP583020	BMEP584020
	BMEP582020	BMEP583040	BMEP584040
	BMEP582040		BMEP585040 BMEP586040
High-availability processor model	BMEH582040		BMEH584040 BMEH586040
Maximum number	2	3	4

Main features

The main features of the **BMENOP0300** module are as follows:

- Compatible with the entire range of M580 CPUs, in both standalone and redundant configuration:
 - Ring topologies on 2 Ethernet ports using RSTP (Rapid Spanning Tree Protocol)
- Cybersecurity features:
 - IEC 62443/ISA99 Achilles Level 2 certification
 - IPSec for IP based communication
- IEC 61850 services:
 - MMS messaging server and client
 - GOOSE publisher and subscriber
- Network management using SNMP (Simple Network Management Protocol)
- Time synchronization: to be able to synchronize with external time servers and update the internal clock
- Modbus TCP support (limited, no I/O scanning)

Capabilities

The capabilities per module are:

- 16 logical devices
- MMS server: 16 concurrent connections, 64 report control blocks instances, 8 instances for one report control block, 68 data sets, 256 data attributes/data set, URCB and BRCB reports
- Control model: DOes, SBOes, DOns, SBOs
- MMS client: 32 concurrent connections
- GOOSE: 4 control blocks for GOOSE publish and 32 control blocks for GOOSE subscribe, up to 256 inputs/data set

References

Description	Usage	Reference	Weight kg/lb
M580 IEC 61850 communication module	IEC 61850 communication module used in M580 local rack Ethernet backplanes	BMENOP0300 (2)	0.345/ 0.761

(1) Requires Unity Pro software V12.0 or later, see our website www.schneider-electric.com.

(2) For the "Conformal coating" version BMENOP0300C, see our "Modicon X80 I/O platform" catalog available on our website www.schneider-electric.com.

Modicon M580 automation platform

Modbus Plus Proxy module

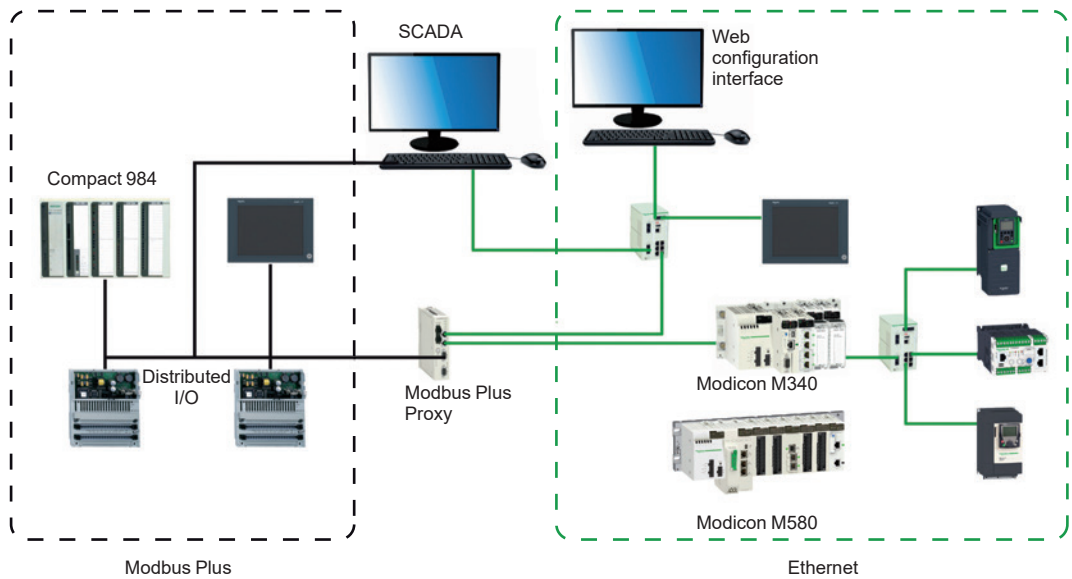
Presentation

The **TCSEGDB23F24FA** Modbus Plus Proxy module is a network gateway that allows Modicon M340 and M580 PLCs to communicate with existing Modbus Plus devices.

It is not necessary to modify the applications for these devices to communicate with the Modicon M340 and M580 PLCs, since the module automatically addresses the platforms and the various communication functions between the M340/M580 and other PLC platforms (especially 984LL).

The Modbus Plus Proxy offers Modbus Plus PLC users the chance to integrate M340 and M580 PLCs easily into their Modbus Plus network and thus to access advanced communications via Ethernet, or to migrate gradually from other PLC models to Modicon M340/M580 and Unity.

3



Key benefits

Reduced startup time

- Online configuration of the proxy via a simple web browser
- Web page setup similar to the screens of the Modbus Plus Peer Cop utility, accessible under Concept/Unity for the Global Data transaction
- Simpler data exchange with Global Data transactions performed on all network nodes
- Point-to-point communication without programming with Peer Cop

Increased network reliability and maintainability

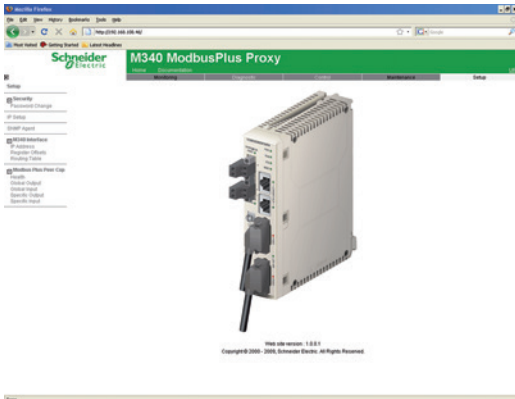
- Standard diagnostics provide data on all network nodes for easy troubleshooting
- Dual Modbus Plus ports provide Modbus Plus network redundancy

Reduced total cost of ownership

- Helps protect your investment in Modbus Plus while migrating to Ethernet
- Dual Ethernet ports allow connection of both the M340 or M580 PLC and the configuration PC to the proxy, without any additional switches

Modicon M580 automation platform

Modbus Plus Proxy module



Embedded web server

Web server functions

The Modbus Plus Proxy module includes an embedded web server that can be used to perform diagnostics and configure the module connection. Data is presented in the form of standard web pages in HTML format. To access a web page, you need Internet Explorer (version 6.0 or later) and Java (version 1.5 or later).

Embedded web server functions

- 1 - Setup: The Setup pages allow you to define the parameters for several different module services, including security, IP, SNMP, Global Data, Peer Cop, and Ethernet ports.
- 2 - Diagnostics: These network diagnostic pages contain Ethernet, TCP, and SNMP statistics, as well as a log of the diagnostics performed.

Complementary characteristics

The following characteristics complement those introduced in the communication selection guide on page 3/5:

- External power supply voltage: 19.2...31.2 V $\overline{\text{---}}$
- Consumption: 300 mA max.
- Dissipated power: 6.2 W



TCSEGD23F24FA

References

System and network requirements

- Unity Pro XL programming software (version 3.x or later) (1)
- Internet Explorer (version 6.0 or later)
- Java (version 1.5 or later)
- Microsoft Windows XP or Vista

Modicon M340 processors:

- BMXP342020 (Modbus and Ethernet version)
- BMXP3420302 (CANopen and Ethernet version)
- BMXP3420302CL (CANopen and Ethernet version) (2)

Modicon M580 processors:

- BMEP581020
- BMEP582020/BMEP582040
- BMEP583020/BMEP583040
- BMEP584020/BMEP584040
- BMEP585040
- BMEP586040

Ethernet Modicon M340 communication modules:

- BMXNOE0100
- BMXNOE0110
- BMXNOC0401

Modicon M580:

- BMENOC0301
- BMENOC0311
- BMENOC0321

Modicon Modbus Plus Proxy module

Description	Type	Reference	Weight kg
Modbus Plus Proxy module for Modicon M340 and M580 PLCs	Standard	TCSEGD23F24FA	–
supplied with 2 front-mounted power supply connectors (2 positions)	Conformal coating	TCSEGD23F24FK	–

(1) Unity V8.0 or later with M580

(2) Memory card to be ordered separately for the BMXP3420302CL processor (see our website www.schneider-electric.com).

Modicon M580 automation platform

Profibus DP V1 and Profibus PA buses

Profibus Remote Master module

3

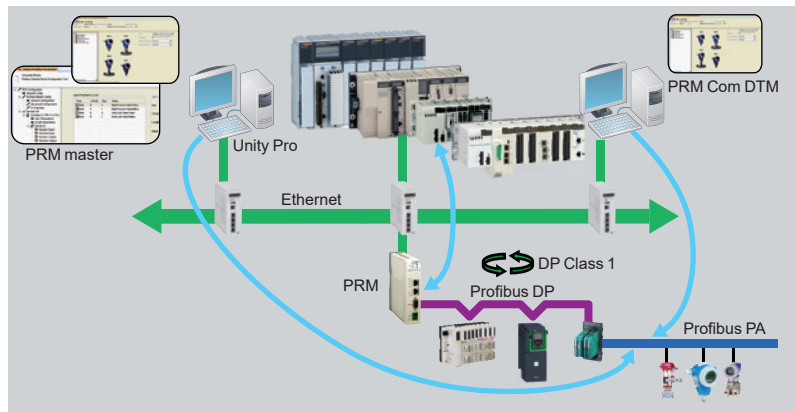
Profibus DP fieldbus

Profibus DP is one of the most widely used fieldbuses in industry. Based on a master/slave protocol, only master stations, sometimes called active stations, have the right to access the bus, with slave, or passive, stations being limited to responding to interrogations.

Version V0 of Profibus only allows cyclic exchanges with I/O, whereas version V1 offers an acyclic message handling channel that can be used for device adjustment or diagnostics during operation.

The physical link is a single shielded twisted pair, but numerous interfaces are available for creating all sorts of topologies - tree, star, or ring - including those using optical fiber or a non-physical link.

Gateways can be used to communicate transparently with Profibus PA, one of the most commonly used standards in process applications for connecting instrumentation. Profibus PA can be used to supply devices across the network and also to install sensors in potentially explosive zones (ATEX).



Profibus Remote Master (PRM) module

Presentation

The Profibus Remote Master (PRM) module is connected to the Ethernet Modbus TCP/IP network via its integrated 2-port switch, as close as possible to the process and the instrumentation.

The PRM module can be used to connect Modicon Quantum, Premium, M580, and M340 PLCs to Profibus DP V1 via the I/O scanner function. Irrespective of the type of PLC, only one product reference is required and setup is identical, thus reducing training and maintenance costs.

Two versions are available, standard and tropicalized, so as to adapt to any type of environment.

The PRM module is open to Asset Management tools. A dedicated communication DTM is supplied with the product, thus allowing any compatible FDT standard tool to remotely adjust devices on Profibus using Ethernet.

Configuration

From a single Unity tool, the user can create the Profibus configuration, the PLC application, and configure or calibrate devices.

The latter are integrated in the Unity catalog via their DTMs if they exist, or their *gsd* files.

The I/O scanner configuration is created implicitly in Unity Pro using the Profibus configuration. The parameters assigned by default help optimize performance, as well as the consistency of I/O data in the PLC application, irrespective of the PLC platform.

Similarly, the I/O variables defined and presymbolized in the DTMs can be used directly in the application. Finally, the screens integrated in Unity Pro, together with the diagnostic functions integrated in the device DTMs simplify application maintenance.

Modicon M580 automation platform

Profibus DP V1 and Profibus PA buses

Profibus Remote Master module

Profibus Remote Master (PRM) module (continued)

Connectable devices

The following Schneider Electric devices can be connected to this bus:

- TeSys U and TeSys T starter-controllers
- Momentum and Modicon STB distributed I/O
- Altivar 312/61/71/Process variable speed drives for asynchronous motors
- Lexium 05 and 32 servo drives for brushless motors
- Altistart ATS 48 soft start-soft stop units
- LMC Packdrive 3
- Osicoder
- Any third-party device compatible with Profibus DP and PA standard profiles

Limitations

Once saved, the Unity project incorporates all the Profibus parameters as well as those of the slaves connected to the bus. Modicon Quantum, Premium, M580, and M340 PLCs are capable of embedding all this data so that an empty Unity terminal without any applications is able, after a simple transfer from the PLC, to locate the whole application, including the slave parameters. This function is called ETS (*Empty Terminal Service*).

In certain cases, it may be that the memory size required to save the device parameters exceeds the PLC memory capacity (signaled by a "memory full" message during the build). This is particularly likely on devices which have DTM (the most common instrumentation on PA). Typically, each device of this type takes up around 20 KB of the PLC memory.

It is therefore essential to create a memory map according to the type of configuration used and possibly adapt it accordingly, either by increasing the amount of memory dedicated to the application (by reducing the zone allocated to data), or by increasing the overall memory via cartridges available in the catalog.

If the ETS function is not required, Unity Pro can also be configured in such a way as to reduce the size of the embedded data by disabling comments and animation tables, or by disabling the upload function so that the application does not include data relating to DTMs. In this case, the upload from an empty terminal function is no longer available.

References

The Profibus Remote Master module is supplied with a CD-ROM, which includes:

- The PRM master DTM for operating the PRM on Quantum, Premium, or M340 starting from Unity V5.0
- The PRM Gateway DTM for operating the PRM on M580 starting from Unity V8.0
- The generic Profibus DTM for managing devices not provided with DTM but just with gsd files
- The PRM communication DTM providing total communication transparency from any FDT tool (out of Unity) up to the Profibus devices
- A library of DFBs for PRM management or support of explicit DP V1 communication with Profibus slaves
- PRM technical documentation

Profibus Remote Master modules

Description	Type	Reference	Weight kg/lb
Profibus Remote Master modules	Standard	TCSEGA23F14F	0.620/ 1.367
	Ruggedized (1)	TCSEGA23F14FK	0.620/ 1.367

Profibus DP bus connection components

Description	Type	Reference	Weight kg/lb
Distributed I/O on Profibus DP bus	Modicon STB network interface module	STBNDP2212	0.140/ 0.309
	Momentum communication module	170DNT11000	0.070/ 0.154

Connectors for remote I/O communication module	Line terminators	490NAD91103	–
	In-line connector	490NAD91104	–
	In-line connector	490NAD91105	–

Description	Length	Reference	Weight kg/lb
Profibus DP connection cables	100 m/328.08 ft	TSXPBSCA100	–
	400 m/1,312.33 ft	TSXPBSCA400	–

(1) Conformal coating and extended operating temperatures between - 25 and + 70 °C/ - 13 and 158 °F (see ruggedized module characteristics, page 4/2)



TCSEGA23F14F



490NAD91103

4 - Ruggedized Modicon M580 modules

Treatment for severe environments

- Presentation..... page 4/2
- Harsh chemical environments..... page 4/2
- Extreme climatic environments..... page 4/2

Ruggedized processor modules

- References page 4/3

Ruggedized racks and rack expansion module

- References page 4/4

Ruggedized communication module and network gateway

- References page 4/5



Presentation

Protective treatment of Modicon M580 automation platform

The Modicon M580 automation platform complies with “TC” treatment requirements (Treatment for all Climates). It is designed as standard to operate in temperatures of 0 to +60 °C/32 to 140 °F. For installations in industrial environments corresponding to “TH” (Treatment for Hot and humid environments), devices should be housed in enclosures providing at least IP 54 protection as specified by standard IEC/EN 60529, or an equivalent level of protection according to NEMA 250.

The Modicon M580 automation platform offers **IP 20 degree of protection** (1). It can therefore be installed without an enclosure in restricted access areas that do not exceed **pollution level 2** (control room with no conductive dust). **Pollution level 2** does not take account of harsher environments, such as those where the air is polluted with conductive dust, fumes, corrosive or radioactive particles, vapors or salts, molds, insects, etc. All the safety hardware in-rack modules in red color (processor, coprocessor, X80 I/O) are conformal coated for a default use in severe environments.

Treatment for more severe environments

If the Modicon M580 automation platform has to be used in more severe environments or is required to start and operate in an extended temperature range, from **-25 °C to +70 °C/-13 °F to +158 °F**, the “ruggedized” offer features industrially hardened processor modules, X-bus and X-bus + Ethernet racks, rack expansion modules, and communication modules that have a protective coating on their circuit boards.

Note: Capable of starting within an extended temperature range (from -25 °C to +70 °C/-13 °F to +158 °F, a single-rack configuration is also able to operate at extremely low temperatures (to -40 °C/-40 °F) if placed in an appropriate enclosure. Please consult our Customer Care Center.

The coated/harsh offer provides the Safety CPU/Coprocessor and Safety I/O modules with “AVR 80” coating on their electronic cards. This treatment increases the isolation capability of the circuit boards and their resistance to:

- Condensation
- Dusty atmospheres (conducting foreign particles)
- Chemical corrosion, in particular during use in sulfurous atmospheres (oil refinery, purification plant, etc.) or atmospheres containing halogens (chlorine, etc.) or chemical vapors

This protection, combined with appropriate installation and maintenance, enables Modicon M580 automation products to be used in the following environments:

Harsh chemical environments (products with suffix ‘H’ and ‘C’):

The use of contact grease protection on connectors, removal blocks is mandatory to meet these requirements. The lubricant protection seals electrical contacts from oxygen, moisture, aggressive gasses and other hostile elements.

- **IEC/EN 60721-3-3 class 3C4:**
 - 7 days; 25 °C/77 °F relative humidity 75%
 - Concentrations (ppb): H₂S: 9900/SO₂: 4800/Cl₂: 200
- **ISA S71.04 classes G1 to Gx:**
 - 14 days; 25 °C/77 °F relative humidity 75%
 - Concentrations (ppb): H₂S: 60/SO₂: 350/Cl₂: 1450/NO₂: 12
- **IEC/EN 60068-2-52 salt mist, Kb test severity level 2:**
 - 3 x 24-hour cycles
 - 5% NaCl
 - 40 °C/104 °F relative humidity 93%

Extreme climatic environments (products with suffix ‘H’ and ‘T’):

- Temperatures from -25 to + 70 °C/-13 to 158 °F
- Relative humidity levels up to 93% from -25 °C/-13 °F to +60 °C/140 °F
- Formation of ice

Specific characteristics for Safety modules

All the Safety modules are coated and only exist with this surface treatment. There is no **T, C, H** extension in part numbers. Safety modules are compatible for:

- temperature range from -25...+60 °C/-13...140 °F
- corrosive environment using common H components

For corrosive environment, additional protecting gel need to cover all electrical connection of M580 harsh products.

This 25 g gel tube can be ordered separately under reference **BMXGEL0025**.

(1) Each slot in a **BMXXBP000H, BMEXBP000H, or BMXXBE1000H** rack is equipped as standard with a protective cover that should only be removed when inserting a module. If any covers are subsequently misplaced, replacements can be ordered under reference **BMXXEM010** (sold in lots of 5).



BMXGEL0025

Composition

References and characteristics

To order ruggedized or conformal coated modules and racks, see the reference pages 4/3 to 4/5 (the references of the ruggedized products available include the suffix "H" and the conformal coated products available include the suffix "C").

The standard separate parts (cordsets, cables, sub-bases, etc.) that are compatible with the ruggedized modules offer are listed in the reference pages (see pages 4/3 to 4/5).

The majority of operating and electrical characteristics of ruggedized modules are identical to those of their equivalent standard versions. However, some characteristics are subject to either derating or limitation. Please consult our website www.schneider-electric.com.

Ruggedized Modicon M580 processors

Ruggedized Modicon M580 standalone processors

I/O capacity	Maximum number of networks	Device ports	Service port	Reference	Weight kg/lb
1,024 discrete I/O, 256 analog I/O 24 application-specific channels 4 MB integrated (memory program)	2 Ethernet networks	2 DIO	1	BMEP581020H	—
2,048 discrete I/O, 512 analog I/O 32 application-specific channels 8 MB integrated (memory program)	2 Ethernet networks	2 DIO	1	BMEP582020H	—
		2 RIO/DIO	1	BMEP582040H	—

"Conformal coating" Modicon M580 standalone processors

I/O capacity	Maximum number of networks	Device ports	Service port	Reference	Weight kg/lb
5,120 discrete I/O, 1,280 analog I/O 180 application-specific channels 24 MB integrated (memory program)	6 Ethernet networks	2 RIO/DIO	1	BMEP585040C	—
6,144 discrete I/O, 1,536 analog I/O 216 application-specific channels 64 MB integrated (memory program)	6 Ethernet networks	2 RIO/DIO	1	BMEP586040C	—

"Conformal coating" Modicon M580 redundant processors

I/O capacity	Maximum number of networks	Device ports	Service port	Reference	Weight kg/lb
8 MB integrated (memory program)	2 Ethernet networks	2 RIO/DIO	1	BMEH582040C	—
16 MB integrated (memory program)	4 Ethernet networks	2 RIO/DIO	1	BMEH584040C	—
64 MB integrated (memory program)	6 Ethernet networks	2 RIO/DIO	1	BMEH586040C	—

Standard SD memory card

Description	Processor compatibility	Capacity	Reference	Weight kg/lb
SD memory card (optional)	Any processor	4 GB (for application backup and data storage)	BMXRMS004GPF	0.002/ 0.004

Standard separate parts

Description	Use		Length m/ft.	Reference	Weight kg/lb
	From	To			
Terminal port/ USB cordsets	Mini-B USB port on the Modicon M580 processor	Type A USB port on PC terminal, Magelis HMI graphic terminal	1.8/5.905	BMXXCAUSBH018	0.065/ 0.143
			4.5/14.764	BMXXCAUSBH045	0.110/ 0.243



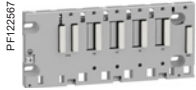
BMEP58●●●●H



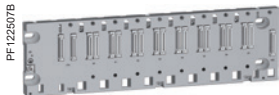
BMXRMS004GPF



BMXXCAUSBH0●●



BMXXBP0400H



BMEXBP0800H



BMXXBE1000H

BMXXSP0000
+ BMXXSP3000

Ruggedized racks

Description	Type of module to be inserted	No. of slots (1)	Power consumption (2)	Reference	Weight kg/lb
Ruggedized X-bus racks	BMEP58 processor, BMEH58 processor, BMXCPS power supply, I/O modules, and application-specific (counter and communication) modules	4	1 W	BMXXBP0400H	0.630/ 1.389
		6	1.5 W	BMXXBP0600H	0.790/ 1.742
		8	2 W	BMXXBP0800H	0.950/ 2.094
		12	0.74 W	BMXXBP1200H	1.270/ 2.800
Ruggedized Ethernet + X-bus racks	BMEP58 processor, BMEH58 processor, BMXCPS power supply, I/O modules, and application-specific (counter and communication) modules	4	2.8 W	BMEXBP0400H	0.715/ 1.576
		8	3.9 W	BMEXBP0800H	1.070/ 2.359
		12	3.9 W	BMEXBP1200H	1.387/ 3.058
Ruggedized Ethernet + X-bus dual power supply racks	BMEP58 processor, BMEH58 processor, BMXCPS400● redundant power supply, I/O modules, and application-specific (counter and communication) modules	6	3.9 W	BMEXBP0602H	1.387/ 3.058
		10	3.9 W	BMEXBP1002H	1.387/ 3.058

Ruggedized expansion module

Description	Use	Reference	Weight kg/lb
Ruggedized expansion module for ruggedized rack (3)	Standard module to be installed in each rack (XBE slot) Used to daisy-chain up to 4 racks	BMXXBE1000H	0.178/ 0.392

Standard accessories for racks

Description	For use with	Sold in lots of	Reference	Weight kg/lb
Shielding connection kits comprising: - a metal bar - 2 support bases	BM●XBP0400H rack	–	BMXXSP0400	0.280/ 0.617
	BMXXBP0600H rack	–	BMXXSP0600	0.310/ 0.683
	BM●XBP0800H rack	–	BMXXSP0800	0.340/ 0.750
	BM●XBP1200H rack	–	BMXXSP1200	0.400/ 0.882
Spring clamping rings	Cables, cross-section 1.5...6 mm ² /AWG 16...9	10	STBXSP3010	0.050/ 0.110
	Cables, cross-section 5...11 mm ² /AWG 10...7	10	STBXSP3020	0.070/ 0.154
Protective covers (replacement parts)	Unoccupied slots on BM●XBP●●00H rack	5	BMXXEM010	0.005/ 0.011
Contact protection grease 25g	Purchase one unit each 24 slots of racks	1	BMXGEL0025	–

Note: For other ruggedized modules in the Modicon X80 range, please consult the "Modicon X80 I/O platform" catalog.

(1) Number of slots taking the processor module, I/O modules, and application-specific modules (excluding power supply module).

(2) Power consumption of anti-condensation resistor(s).



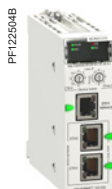
Angled connector on extension cordsets

Standard cordsets and connection accessories						
Description	Use	Composition	Type of connector	Length	Reference	Weight kg/lb
X-bus extension cordsets total length 30 m/ 98.425 ft max. (1)	Between two BMXXBE1000H rack expansion modules	2 x 9-way SUB-D connectors	Angled	0.8 m/ 2.625 ft	BMXXBC008K	0.165/ 0.364
				1.5 m/ 4.921 ft	BMXXBC015K	0.250/ 0.551
				3 m/ 9.843 ft	BMXXBC030K	0.420/ 0.926
				5 m/ 16.404 ft	BMXXBC050K	0.650/ 1.433
				12 m/ 39.370 ft	BMXXBC120K	1.440/ 3.175
			Straight	1 m/ 3.281 ft	TSXCBY010K	0.160/ 0.353
				3 m/ 9.843 ft	TSXCBY030K	0.260/ 0.573
				5 m/ 16.404 ft	TSXCBY050K	0.360/ 0.794
				12 m/ 39.370 ft	TSXCBY120K	1.260/ 2.778
				18 m/ 59.055 ft	TSXCBY180K	1.860/ 4.101
Cable reel (1)	Length of cable to be fitted with TSXCBYK9 connectors	Ends with flying leads, 2 line testers		100 m/ 328.084 ft	TSXCBY1000	12.320/ 27.161
				28 m/ 91.864 ft	TSXCBY280KT	2.860/ 6.305



TSXTLYEX

Connection accessories				
Description	Use	Composition	Reference	Weight kg/lb
Line terminator (Sold in lots of 2)	Required on both BMEXBP/BMXXBP●●●0H modules at each end of the daisy chain	2 x 9-way SUB-D connectors marked A/ and /B	TSXTLYEX	0.050/ 0.110
X-bus straight connectors (Sold in lots of 2)	For ends of TSXCBY1000 cables	2 x 9-way SUB-D straight connectors	TSXCBYK9	0.080/ 0.176
Connector assembly kit	For fitting TSXCBYK9 connectors	2 crimping pliers, 1 pen (3)	TSXCBYACC10	–



BMCRA31210C

Communication				
"Conformal Coating" EIO drop adapter				
Description	SERVICE port		Reference	Weight kg/lb
Modicon X80 EIO drop adapter for Ethernet + X-bus racks	1		BMCRA31210C	–



TCSEGA23F14FK

Ruggedized Profibus DP network gateway				
Description	Protocols	Physical layer	Reference	Weight kg/lb
Profibus Remote Master (PRM) module	Modbus TCP	1 Ethernet switch, 2 x 10BASE-T/100BASE-TX ports	TCSEGA23F14FK	–
	Profibus DP V1 and Profibus PA (via gateway)	1 isolated RS 485 Profibus DP port		

Standard connection accessory				
Description	Details	RS 232 interface	Reference	Weight kg/lb
Cordset for DCE terminal (modem, etc.)	Equipped with 1 x RJ45 connector and 1 x 9-way male SUB-D connector Length 3 m/9.843 ft	Simplified 4-wire (RX, TX, RTS and CTS)	TCSMCN3M4M3S2	0.150/ 0.331
		Full 8-wire (except RI signal)	TCSXCN3M4F3S4	0.165/ 0.364

(1) Module and cordsets do not operate properly at temperatures **lower than -25 °C/-13 °F**.

(2) Cable supplied with a set of 2 TSXTVSY100 electrical transient suppressors.

(3) To fit the connectors on the cable, you also need a wire stripper, a pair of scissors, and a digital ohmmeter.

Technical appendices

- Standards, certifications and environmental conditions page 5/2
- Certifications for automation products and EC regulations page 5/8

Standards and certifications

The Modicon M580 automation and M580 Safety platforms have been developed to comply with the principal national and international standards concerning electronic equipment for industrial automation systems.

- Requirements specific to programmable controllers: functional characteristics, immunity, resistance, safety, etc.: IEC/EN 61131-2 and IEC/EN/UL/CSA 61010-2-201, UL508
- Requirements specific to power utility automation systems: IEC/EN 61000-6-5, IEC/EN 61850-3
- Merchant navy requirements of the major international organizations: unified in IACS (International Association of Classification Societies)
- Compliance with European Directives for CE marking:
 - Low voltage: 2014/35/EU
 - Electromagnetic compatibility: 2014/30/EU
 - Machinery: 2006/42/EC
 - Ex areas:
 - For USA and Canada: Hazardous location class I, division 2, groups A,B,C, and D
 - For other countries: CE ATEX (2014/34/EU) or IECEx in defined atmosphere Zone 2 (gas) and/or Zone 22 (dust)

Up-to-date information on which certifications have been obtained is available on our website.

M580 PACs are considered as open equipment and is designed for use in industrial environments, in pollution degree 2, overvoltage category II (IEC 60664-1), and in low-voltage installations, where the main power branch is protected on both wires by devices such as fuses or circuit breakers limiting the current to 15A for North America and 16A for the rest of the world.

All safety modules are certified by TÜV Rheinland. The certificate reviews the following standards:

Functional safety specifications

IEC 61508 : Functional safety of electrical/electronic/programmable electronic safety-related systems

- IEC 61508-1 - Part 1: General requirements
- IEC 61508-2 - Part 2: Requirements for electrical/electronic/programmable electronic safety related systems
- IEC 61508-3 - Part 3: Software requirements

IEC 61511 : Functional safety - Safety instrumented systems for the process industry sector

- IEC 61511-1 - Part 1: Framework, definitions, system, hardware and software requirements
- IEC 61511-2 - Part 2: Guidelines for the application of IEC 61511-1
- IEC 61511-3 - Part 3: Guidance for the determination of the required safety integrity levels

Safety machinery specifications

- IEC 62061: Safety of machinery - Functional safety of safety-related electrical, electronic and programmable electronic control systems
- ISO 13849-1: Safety of machinery - Safety-related parts of control systems - Part 1: General principles for design
- ISO 13849-2: 2012 Safety Related parts of the Control Systems - Part 2: validation

Fire & Gas specifications

- EN54.2: 1997 + Amd1 2007 fire detection + fire alarms systems – Part 2: control and indicating equipment.
- EN 50156-1: 2015 Equipment for furnaces and ancillary equipment - Part 1: Requirements for application design and installation
- EN 50130-4: 2011 Immunity requirements components of fire, intruder, holdup, CCTV, access control and social alarms systems
- EN 298: 2012 Automatic burner control systems for burners and appliances burning gaseous or liquid fuels
- NFPA 85: 2015 Boiler and Combustion Systems Hazards Code
- NFPA 86: 2015 Standard for ovens and furnaces
- NFPA 72: 2016 National Fire Alarm and Signaling Code

Characteristics									
Service conditions and recommendations relating to the environment									
			Modicon M580 automation platform	Modicon M580 Safety platform	Modicon M580 harsh I/O platform				
Temperature	Operation	°C	0...+60	-25...+60	-25...+70				
	Storage	°C	-40...+85	-40...+85	-40...+85				
Relative humidity (without condensation)	Cyclical humidity	%	+5 ... +95 up to 55 °C/131 °F	+5...+95 up to 55 °C/131 °F	+5 ... +95 up to 55 °C/131 °F				
	Continuous humidity	%	+5 ... +93 up to 55 °C/131 °F	+5...+93 up to 60 °C/140 °F	+5 ... +93 up to 60 °C/140 °F				
Altitude	Operation	m	0...2,000 (full specification: temperature and isolation) 2,000...5,000 (temperature derating: approx. 1 °C/400 m, isolation 150 V/1,000m For accurate temperature derating calculation, refer to IEC 61131-2 Ed4.0 Annex A						
			Modicon X80 I/O power supply modules						
Supply voltage	Nominal voltage	V	BMXCPS2010	BMXCPS3020 BMXCPS3020H	BMXCPS3540T	BMXCPS2000	BMXCPS3500 BMXCPS3500H BMXCPS4002 BMXCPS4002S BMXCPS4002H		
			24 ---	24...48 ---	125 ---	100...240 ~	100...240 ~		
			Limit voltages	V	18...31.2 ---	18...62.4 ---	100...150 ---	85...264 ~	85...264 ~
			Nominal frequencies	Hz	–	–	–	50/60	50/60
			Limit frequencies	Hz	–	–	–	47/63	47/63

Protective treatment of the Modicon M580 automation platform

The Modicon M580 and M580 Safety platforms meet the requirements of "TC" treatment (*Treatment for all Climates*).

For installations in industrial production workshops or environments corresponding to "TH" treatment (*treatment for hot and humid environments*), Modicon M580 and M580 Safety must be embedded in enclosures with minimum IP 54 protection.

The Modicon M580 and M580 Safety platforms offer **protection to IP 20 level** and **protection against pins** (enclosed equipment) (1). They can therefore be installed without an enclosure in reserved-access areas that do not exceed **pollution level 2** (control room with no dust-producing machine or activity). Pollution level 2 does not take account of more severe environmental conditions: air pollution by dust, smoke, corrosive or radioactive particles, vapors or salts, molds, insects, etc.

(1) In cases where a slot is not occupied by a module, a **BMXXEM010** protective cover must be installed.

(CE): tests required by European directives (CE) and based on IEC/EN 61131-2 standards.

Environment tests		
Name of test	Standards	Levels
Immunity to LF interference (CE) (1)		
Voltage and frequency variations	IEC/EN 61131-2; IEC/EN 61000-6-2; IEC 61000-4-11	0.85...1.10 Un - 0.94...1.04 Fn; 4 steps t = 30 min
	IACS E10; IEC 61000-4-11	0.80 Un...0.90 Fn; 1.20 Un...1.10 Fn; t = 1.5 s/5 s
Direct voltage variations	IEC/EN 61131-2; IEC 61000-4-29; IACS E10 (PLC not connected to charging battery)	0.85...1.2 Un + ripple: 5% peak; 2 steps t = 30 min
Third harmonic	IEC/EN 61131-2	H3 (10% Un), 0°/180°; 2 steps t = 5 min
Immunity to conducted low frequency (only IACS)	IACS E10	For ~ : ■ H2...H15 (10% Un), H15...H100 (10%...1% Un), H100...H200 (1% Un) For - : ■ H2...H200 (10% Un)
Voltage interruptions	IEC/EN 61131-2; IEC/EN 61000-6-2; IEC 61000-4-11; IEC 61000-4-29; IACS E10 For functional safety (DS criteria): IEC 61000-6-7; IEC 61326-3-1	Power supply immunity: ■ 10 ms for ~ and - PS2 (20 ms DS criteria) ■ Check operating mode for longer interruptions up to 5 s, 85% Un For IACS, 3 times 30 s in 5 mn, 85% Un
	IEC/EN 61131-2; IEC/EN 61000-6-2; IEC 61000-4-11	For ~ PS2: ■ 20% Un, t0: ½ period ■ 40% Un, cycle 10/12 ■ 70% Un, cycle: 25/30 ■ 0% Un, cycle 250/300
Voltage shut-down and start-up	IEC/EN 61131-2	■ Un...0...Un; t = Un/60 s ■ Umin...0...Umin; t = Umin/5 s ■ Umin...0.9 Udl...Umin; t = Umin/60 s
Magnetic field	IEC/EN 61131-2; IEC 61000-4-8 (for MV power stations: IEC 61000-6-5; IEC 61850-3) For functional safety (DS criteria): IEC 61000-6-7; IEC 61326-3-1	Power frequency: 50/60 Hz, 100 A/m continuous ...1000 A/m; t = 3 s; 3 axes
	IEC 61000-4-10	Oscillatory: 100 kHz...1 MHz, 100 A/m; t = 9 s; 3 axes
Conducted common mode disturbances range 0 Hz ...150 kHz	IEC 61000-4-16 (for MV power stations: IEC 61000-6-5; IEC 61850-3) For functional safety (DS criteria): IEC 61000-6-7; IEC 61326-3-1	For remote systems: ■ 50/60 Hz and - , 300 V, t = 1 s ■ 50/60 Hz and - , 30 V, t = 1 min ■ 5 Hz...150 kHz, sweep 3 V...30 ■ For ~: 10 V ■ For -: 10 V cont. or 100 V, t = 1 s

Where:
 ■ PS1 applies to PLC supplied by battery, PS2 applies to PLC energized from ~ or - supplies
 ■ Un: nominal voltage, Fn: nominal frequency, Udl: detection level when powered

(1) Devices must be installed, wired, and maintained in accordance with the instructions provided in the manual "Grounding and Electromagnetic Compatibility of PLC Systems".
 (2) These tests are performed without an enclosure, with devices fixed on a metal grid and wired as per the recommendations in the manual "Grounding and Electromagnetic Compatibility of PLC systems".
 (CE): tests required by European CE directives and based on IEC/EN 61131-2.

Environment tests (continued)		
Name of test	Standards	Levels
Immunity to HF interference (CE) (1)		
Electrostatic discharges	IEC/EN 61131-2; IEC/EN 61000-6-2; IEC 61000-4-2; IACS E10 For functional safety (DS criteria): IEC 61000-6-7; IEC 61326-3-1	6 kV contact; 8 kV air; 6 kV indirect contact
Radiated radio frequency electromagnetic field	IEC/EN 61131-2; IEC/EN 61000-6-2; IEC 61000-4-3; IACS E10 For functional safety (DS criteria): IEC 61000-6-7; IEC 61326-3-1	80 MHz...1 GHz: 10/15 V/m (20 V/m DS criteria); 3 V/m, 1.4 GHz...2 GHz: 3V/m (10 V/m DS criteria), 2 GHz...6 GHz: 3V/m Sinus amplitude modulated 80%, 1 kHz + internal clock frequencies
Electrical fast transient bursts	IEC/EN 61131-2; IEC/EN 61000-6-2; IEC 61000-4-4; IACS E10 For functional safety (DS criteria): IEC 61000-6-7; IEC 61326-3-1	For ~ or --- main supplies: ■ 2 kV in common mode/2 kV in wire mode (4 kV DS criteria with external protection) For ~ or --- auxiliary supplies, ~ unshielded I/O: ■ 2 kV in common mode For analog, --- unshielded I/O, communication and shielded lines: ■ 1 kV in common mode (3 kV DS criteria)
Surge	IEC/EN 61131-2; IEC/EN 61000-6-2; IEC 61000-4-5; IACS E10 For functional safety (DS criteria): IEC 61000-6-7; IEC 61326-3-1	For ~/--- main and auxiliary supplies, ~ unshielded I/O: ■ 2 kV in common mode/1 kV in differential mode (4 kV DS criteria with external protection) For analog, --- unshielded I/O: ■ 2 kV in common mode/2 kV in differential mode For communication and shielded lines: ■ 1 kV in common mode (3 kV DS criteria)
Conducted disturbances induced by radiated electromagnetic fields	IEC/EN 61131-2; IEC/EN 61000-6-2; IEC 61000-4-6; IACS E10 For functional safety (DS criteria): IEC 61000-6-7; IEC 61326-3-1	10 V; 0.15 MHz...80 MHz (20 V DS criteria) Sinus amplitude 80%, 1 kHz + spot frequencies
Damped oscillatory wave	IEC/EN 61131-2; IEC 61000-4-18; IACS E10	For ~/--- main supplies and ~ auxiliary supplies, ~ unshielded I/O: ■ 2.5 kV in common mode/1 kV in differential mode For --- auxiliary supplies, analog, --- unshielded I/O: ■ 1 kV in common mode/0.5 kV in differential mode For communication and shielded lines: ■ 0.5 kV in common mode

(1) Devices must be installed, wired, and maintained in accordance with the instructions provided in the manual "Grounding and Electromagnetic Compatibility of PLC Systems".
(2) These tests are performed without an enclosure, with devices fixed on a metal grid and wired as per the recommendations in the manual "Grounding and Electromagnetic Compatibility of PLC systems".

(CE): tests required by European CE directives and based on IEC/EN 61131-2.

Environment tests (continued)

Name of test	Standards	Levels
Electromagnetic emissions (CE) (1)		
Conducted emission	IEC/EN 61131-2; IEC/EN 61000-6-4; CISPR 11 & 22, Class A, Group 1 (FCC part 15 compliance)	150 kHz ... 500 kHz: quasi-peak 79 dB (µV/m); average 66 dB (µV/m) 500 kHz ... 30 MHz: quasi-peak 73 dB (µV/m); average 60 dB (µV/m)
	IACS E10	<ul style="list-style-type: none"> ■ ~ power (general power distribution zone): 10 kHz ... 150 kHz: quasi-peak 120...69 dB (µV/m); 150 kHz ... 0.5 MHz: quasi-peak 79 dB (µV/m) 0.5 MHz ... 30 MHz: quasi-peak 73 dB (µV/m) ■ ~ power (bridge and deck zone for evaluation): 10 kHz ... 150 kHz: quasi-peak 96...50 dB (µV/m) 150 kHz ... 0.35 MHz: quasi-peak 60...50 dB (µV/m) 0.35 MHz ... 30 MHz: quasi-peak 50 dB (µV/m)
Radiated emission	IEC/EN 61131-2; IEC/EN 61000-6-4; CISPR 11 & 22, Class A, Group 1 (FCC part 15 compliance)	30 MHz ... 230 MHz: quasi-peak 40 dB (µV/m) (at 10 m); 230 MHz ... 1 GHz: quasi-peak 47 dB (µV/m) (at 10 m); 1 GHz ... 3 GHz: quasi-peak 76 dB (µV/m) (at 3 m); 3 GHz ... 6 GHz: quasi-peak 80 dB (µV/m) (at 3 m);
	IACS E10	<ul style="list-style-type: none"> ■ For general power distribution zone 0.15 MHz ... 30 Mhz: quasi-peak 80...50 dB (µV/m) (at 3 m) 30 MHz-100 MHz: quasi-peak 60...54 dB (µV/m) (at 3 m) 100 MHz - 2 GHz: quasi-peak 54 dB (µV/m) (at 3 m) 156 ... 165 MHz: quasi-peak 24 dB (µV/m) (at 3 m)
Immunity to climatic variations (1) (power on)		
Dry heat	IEC 60068-2-2 (Bb & Bd)	60 °C/140 °F, t = 16 hrs [for ruggedized range: 70 °C/158 °F, t = 16 hrs] (2)
	IACS E10	60 °C/140 °F, t = 16 hrs + 70 °C/158 °F, t = 2 hrs [for ruggedized range: 70 °C/158 °F, t = 18 hrs] (2)
Cold	IEC 60068-2-1 (Ab & Ad) IACS E10	0 °C ... -25 °C/32 °F...-13 °F, t = 16 hrs + power on at 0 °C/32 °F [for ruggedized range: power on at -25 °C/-13 °F] (2)
Damp heat, steady state (continuous humidity)	IEC 60068-2-78 (Cab); IACS E10	55 °C/131 °F, 93% relative humidity, t = 96 hrs [for ruggedized range: 60 °C/+140 °F] (2)
Damp heat, cyclic (cyclical humidity)	IEC 60068-2-30 (Db); IACS E10	55 °C ... 25 °C/131 °F...77 °F, 93...95% relative humidity, 2 cycles t = 12 hrs + 12 hrs
Change of temperature	IEC 60068-2-14 (Nb)	0 °C ... 60 °C/32 °F...140 °F, 5 cycles t = 6 hrs + 6 hrs [for ruggedized range: -25 °C... 70 °C/-13 °F...158 °F] (2)
Withstand to climatic variations (1) (power off)		
Dry heat	IEC/EN 61131-2; IEC 60068-2-2 (Bb & Bd) IEC/EN 60945	85 °C/185 °F, t = 96 hrs
Cold	IEC/EN 61131-2; IEC 60068-2-1 (Ab & Ad); IACS E10	-40 °C/-40 °F, t = 96 hrs
Damp heat, cyclic (cyclical humidity)	IEC/EN 61131-2; IEC 60068-2-30 (Db)	55 °C ... 25 °C/77 °F...131 °F, 93...95% relative humidity, 2 cycles t = 12 hrs + 12 hrs
Change of temperature (thermal shocks)	IEC/EN 61131-2; IEC 60068-2-14 (Na)	-40 °C ... 85 °C/-40 °F...185 °F, 5 cycles t = 3 hrs + 3 hrs

(1) Devices must be installed, wired, and maintained in accordance with the instructions provided in the manual "Grounding and Electromagnetic Compatibility of PLC Systems".

(2) Refer also to the chapter "Treatment for severe environments".

(CE): tests required by European CE directives and based on IEC/EN 61131-2 standards.

Environment tests (continued)		
Name of test	Standards	Levels
Immunity to mechanical constraints (1) (power on)		
Sinusoidal vibrations	IEC/EN 61131-2; IEC 60068-2-6 (Fc)	Basic IEC/EN 61131-2: 5 Hz ... 150 Hz, ± 3.5 mm amplitude (5 Hz ... 8.4 Hz), 1 g (8.4 Hz ... 150 Hz) Specific profile: 5 Hz ... 150 Hz, ± 10.4 mm amplitude (5 Hz ... 8.4 Hz), 3 g (8.4 Hz ... 150 Hz) For basic and specific: endurance: 10 sweep cycles for each axis
	IEC 60870-2-2 ; IEC 60068-2-6 (Class Cm)	2 Hz ... 500 Hz, 7 mm amplitude (2 Hz ... 9 Hz), 2 g (9 Hz ... 200 Hz), 1.5 g (200 Hz ... 500 Hz) endurance: 10 sweep cycles for each axis
	IACS E10	3 Hz ... 100 Hz, 1 mm amplitude (3 Hz ... 13.2 Hz), 0.7 g (13.2 Hz ... 100 Hz) Endurance at each resonance frequency: 90 min for each axis, amplification coefficient < 10
	IEC 60068-2-6	Seismic analysis: 3 Hz ... 35 Hz, 22.5 mm amplitude (3 Hz ... 8.1 Hz), 6 g (8.1 Hz ... 35 Hz)
Shock	IEC/EN 61131-2; IEC 60068-2-27 (Ea)	30 g, 11 ms; 3 shocks/direction/axis (2) For M580 Safety: 15 g, 11 ms; 3 shocks/direction/axis 25 g, 6 ms; 100 bumps/direction/axis (bumps) (3)
Free fall during operation	IEC/EN 61131-2; IEC 60068-2-32 (Ed Method 1)	1 m/3.28 ft 2 falls
Name of test		
Standards		
Levels		
Withstand to mechanical constraints (power off)		
Random free fall with packaging	IEC/EN 61131-2; IEC 60068-2-32 (Method 1)	1 m/3.28 ft 5 falls
Flat free fall	IEC/EN 61131-2; IEC 60068-2-32 (Ed Method 1)	10 cm/0.33 ft, 2 falls
Controlled free fall	IEC/EN 61131-2; IEC 60068-2-31 (Ec)	30° or 10 cm/0.33 ft, 2 falls
Plugging/Unplugging	IEC/EN 61131-2	For modules and connectors: Operations: 50 for permanent connections, 500 for non-permanent connections
Name of test		
Standards		
Levels		
Equipment and personnel safety (1) (CE)		
Dielectric strength and insulation resistance	IEC/EN 61131-2; IEC 61010-2-201; UL; CSA	Dielectric: 2 Un + 1000 V; t = 1 min Insulation: Un ≤ 50 V: 10 MΩ, 50 V ≤ Un ≤ 250 V : 100 MΩ
Ground continuity	IEC/EN 61131-2; IEC 61010-2-201; UL; CSA	30A, R ≤ 0,1Ω; t = 2 min
Leakage current	IEC/EN 61131-2; IEC 61010-2-201; UL; CSA	≤ 0.5 mA in normal condition ≤ 3.5 mA in single fault condition
Protection offered by enclosures	IEC/EN 61131-2; IEC61010-2-201;	IP20 and protection against standardized pins
Impact withstand	IEC/EN 61131-2; IEC 61010-2-201; UL; CSA	Sphere of 500 g, fall from 1.30 m (energy 6.8 J minimum)
Overload	IEC/EN 61131-2; IEC 61010-2-201; UL; CSA	50 cycles, Un, 1.5 In; t = 1 s ON + 9 s OFF
Endurance	IEC/EN 61131-2; IEC 61010-2-201; UL; CSA	In, Un; 6000 cycles: t = 1 s ON + 9 s OFF
Temperature rise	IEC/EN 61131-2; UL; CSA; ATEX; IECEx	Ambient temperature 60 °C/140 °F [for ruggedized range: 70 °C/158 °F] (4)
Name of test		
Standards		
Levels		
Specific environment (4)		
Corrosion areas - gas, salt, dust	ISA S71.4	Flowing mixed gas; class Gx, 25 °C/77 °F, 75% relative humidity, t = 14 days
	IEC/EN 60721-3-3 IEC60068-2-60	Flowing mixed gas; class 3C3, 25 °C/77 °F, 75% relative humidity, t = 14 days
	IEC/EN 60721-3-3 IEC60068-2-60	Flowing mixed gas; class 3C4, 25 °C/77 °F, 75% relative humidity, t = 7 days
	IEC60068-2-52	Salt spray: test Kb, severity 2
	IEC/EN 60721-3-3 IEC60068-2-68	Dust and sand, Arizona dust, class 3S4, 20 cycles
	IEC/EN 60721-3-3 IEC60068-2-10	Mold growth, fungal spore, class 3B2, t=28 days

(1) Devices must be installed, wired, and maintained in accordance with the instructions provided in the manual "Grounding and Electromagnetic Compatibility of PLC Systems".

(2) When using fast actuators (response time ≤ 5 ms) driven by relay outputs: 15 g, 11 ms; 3 shocks/direction/axis.

(3) When using fast actuators (response time ≤ 15 ms) driven by relay outputs: 15 g, 6 ms; 100 bumps/direction/axis.

(4) Refer also to the chapter "Treatment for severe environments".

(CE): tests required by European CE directives and based on IEC/EN 61131-2 standards.

Technical appendices

Automation product certifications

EC regulations

Some countries require certain electrical components to undergo certification by law. This certification takes the form of a certificate of conformity to the relevant standards and is issued by the official body in question. Where applicable, certified devices must be labeled accordingly. Use of electrical equipment on board merchant vessels generally implies that it has gained prior approval (i.e. certification) by certain shipping classification societies.

Abbreviation	Certification body	Country
CSA	Canadian Standards Association	Canada
RCM	Australian Communications and Media Authority	Australia, New Zealand
EAC	Eurasian conformity	Russia and customs union
UL	Underwriters Laboratories	USA









Abbreviation	Classification authority	Country
IACS	International Association of Classification Societies	International
ABS	American Bureau of Shipping	USA
BV	Bureau Veritas	France
DNV	Det Norske Veritas	Norway
GL	Germanischer Lloyd	Germany
LR	Lloyd's Register	UK
RINA	Registro Italiano Navale	Italy
RMRS	Russian Maritime Register of Shipping	Russia
RRR	Russian River Register	Russia
CCS	China Classification Society	China
KRS	Korean Register of Shipping	Korea

Note: Due to the merger between DNV and GL certification, DNV/GL will be renewed as a single certificate from 2016.

The following tables provide an overview of the situation as of September 2016, in terms of which certifications (listed next to their respective bodies) have been granted or are pending for our automation products.

Up-to-date information on which certifications have been obtained by products bearing the Schneider Electric brand can be viewed on our website: www.schneider-electric.com

Product certifications

Certified Certification pending	Certifications						
	 UL USA	 CSA Canada	 RCM Australia	 EAC Russia	Hazardous locations (1) Class I, div 2 USA, Canada	   (6)	 TÜV Rheinland
Modicon OTB							
Modicon STB					FM	Zone 2 (2)(5)	
Modicon Telefast ABE 7							
ConneXium					(2)		
Magelis iPC/GTW		(3)		(2)	(3)	Zone 2/22 (2)	
Magelis XBT GT		(3)		(2)	(2) (3)	Zone 2/22 (2)(5)	
Magelis XBT GK		(3)			(3)		
Magelis XBT N/R/RT					CSA	Zone 2/22 (2)(5)	
Magelis HMI GTO		(3)		(2)	(3)	(2)	
Magelis HMI STO/STU		(3)		(2)	(2)(3)	(2)	
Modicon M340					CSA (8)	Zone 2/22 (2)	
Modicon M580					CSA (8)	Zone 2/22 (2)	
Modicon M580 Safety					CSA (8)	Zone 2/22 (2)	SIL 3, Cat.4, PLe
Modicon X80 I/O					CSA (8)	Zone 2/22 (2)	
Modicon Momentum					FM		
Modicon Premium				(2)	CSA		
Modicon Quantum				(2)	CSA (8)	Zone 2/22 (2)	
Modicon Quantum Safety				(2)	CSA	Zone 2/22 (2)	SIL 2, SIL 3 (7)
Preventa XPSMF							SIL 3 (7)
Modicon TSX Micro					CSA		
Phaseo	(3)						
Twido	(4)	(4)			CSA/UL (4)		

(1) Hazardous locations: According to ANSI/ISA 12.12.01 and/or CSA 22.2 No. 213, and/or FM 3611, certified products are only approved for use in hazardous locations categorized as Class I, division 2, groups A, B, C, and D, or in non-classified locations.

(2) Depends on product; please visit our website: www.schneider-electric.com.

(3) North American certification cULus (Canada and USA).

(4) Except for AS-Interface module TWD NOI 10M3, CE only.

(5) For zones not covered by this specification, Schneider Electric offers a solution as part of the CAPP (Collaborative Automation Partner Program). Please contact our Customer Care Center.

(6) Refer to the instructions supplied with each ATEX and/or IECEx certified product.

(7) According to IEC 61508. Certified by TÜV Rheinland for integration into a safety function of up to SIL 2 or SIL 3.










(8) CSA Hazardous Location according to ANSI/ISA 12.12.01, CSA 22.2 No. 213, and FM 3611.

Technical appendices

Automation product certifications

EC regulations

Merchant navy certifications

Certified Certification pending	Shipping classification societies									
										
	USA	France	Norway	Germany	Korea	Great Britain	Italy	Russia	Russia	China
Modicon OTB										
Modicon STB										
Modicon Telefast ABE 7										
ConneXium										
Magelis iPC/GTW										
Magelis XBT GT										
Magelis XBT GK										
Magelis XBT N/R										
Magelis XBT RT										
Magelis HMI GTO										
Magelis HMI STO/STU										
Modicon M340										
Modicon M580										
Modicon M580 Safety										
Modicon X80 I/O										
Modicon Momentum										
Modicon Premium										
Modicon Quantum										
Modicon TSX Micro										
Phaseo										
Twido										

EC regulations

European Directives

The open nature of the European markets assumes harmonization between the regulations set by the member states of the European Union. European Directives are texts intended to remove restrictions on free circulation of goods and which must be applied within all European Union states.

Member states are obligated to incorporate each Directive into their national legislation, and to simultaneously withdraw any regulations that contradict it.

Directives - and particularly those of a technical nature with which we are concerned - merely set out the objectives to be fulfilled (referred to as "essential requirements"). Manufacturers are responsible for taking the necessary measures to establish that their products conform to the requirements of each Directive applicable to their equipment.

As a general rule, manufacturers certify compliance with the essential requirements of the Directive(s) that apply to their products by applying a CE mark. The CE mark is affixed to our products where applicable.

Significance of the CE mark

The CE mark on a product indicates the manufacturer's certification that the product conforms to the relevant European Directives; this is a prerequisite for placing a product that is subject to the requirements of one or more Directives on the market and allowing its free circulation within European Union countries. The CE mark is intended for use by those responsible for regulating national markets.

Where electrical equipment is concerned, conformity to standards indicates that the product is fit for use. Only a warranty by a well-known manufacturer can provide reassurance of a high level of quality.

As far as our products are concerned, one or more Directives are likely to apply in each case; in particular:

- The Low Voltage Directive (2014/35/EU)
- The Electromagnetic Compatibility Directive (2014/30/EU)
- The ATEX CE Directive (2014/34/EU)
- The Machinery Directive (2006/42/EU)

Hazardous substances

These products are compatible with:

- The WEEE Directive (2012/19/EU)
- The RoHS Directive (2011/65/EU)
- The China RoHS Directive (Standard GB/T 26572-2011)
- REACH regulations (EC 1907/2006)

Note: Documentation on sustainable development is available on our website www.schneider-electric.com (product environmental profiles and instructions for use, RoHS and REACH directives).

End of life (WEEE)

End of life products containing electronic cards must be dealt with by specific treatment processes.

When products containing backup batteries are unusable or at end of life they must be collected and treated separately. Batteries do not contain a percentage by weight of heavy metals above the limit specified by European Directive 2013/56/EU.

A dedicated services offer for your installed base

- Maintenance and support services page 6/2
- Consultancy services page 6/3
- Modernization solutions page 6/3
- Customization services page 6/3

A dedicated services offer for your installed base



Schneider Electric, with its experts, products and dedicated tools, provides services such as system design, consultancy, maintenance contracts, modernization of facilities or delivering projects.

The Schneider Electric services offer is structured around several key areas:

- Maintenance and support services:
 - A set of services to help maintain reliability and availability of automated control systems. These services may be the subject of a bespoke maintenance contract to meet your requirements more closely.
- Consultancy services:
 - Diagnostics of the installed base
- Modernization solutions:
 - Migration solutions including consultancy, expertise, tools and technical support to help ensure a smooth transition to newer technology while keeping the wiring and the encoding in most cases.

Customization services are also available to accommodate specific requirements. For more information, please consult the specific pages on our website www.schneider-electric.com/automationservices

Maintenance and support services

Spare parts, exchanges and repairs

Everything you need to get equipment working again as quickly as possible

Solutions to respond very quickly to requests for spare parts, exchanges and repairs to your installed automation equipment (automation platforms, Human Machine Interfaces, drives, distributed I/O):

- Spare parts management:
 - Identification of critical parts
 - Stock of spare parts: a Schneider Electric owned stock of spare parts, on your site or in one of our warehouses, with immediate availability on site or a contractually agreed delivery time if stored off site
 - Testing of spare parts stored on site
 - Automatic stock filling
- Repairs:
 - Broken down products are repaired in a network of worldwide repair centres. For each repaired product, our experts provide a detailed report.
- On-site repair:
 - Our experts' knowledge and expertise
 - Monitoring of specific repair procedures
 - Availability of our teams to respond 24/7
- Exchanges:
 - With standard replacements, receive a new or reconditioned product before the broken down product has even been sent back
 - Fast exchanges offer the option to receive the replacement product within 24 hours (in Europe)

Preventive maintenance

Improving and guaranteeing the long-term reliability and performance of your installations

Schneider Electric's preventive maintenance expert assesses your site, the equipment to be managed and sets up a maintenance program to accommodate specific requirements. A list is provided of the tasks to be performed and their frequency, including site-specific tasks, describing how preventive maintenance is to be managed.

Extended warranty

An additional manufacturer warranty covering replacement or repair of the equipment

The extended warranty offers the option to take out a 3-year warranty. The warranty period can vary according to the geographical area, consult your Customer Care Centre.

Online support

Access to dedicated experts

Priority access to experts who can answer technical questions promptly concerning equipment and software both on sale and no longer commercially available.

Software subscription

Access to software upgrades and new features

By subscribing to software updates, users are able to:

- Purchase licences
- Receive updates, upgrades, software migrations and transitions
- Download software from Schneider Electric's software library

Consultancy services

M2C (Maintenance and Modernization Consultancy)

Professional tools and methods, proven experience of managing obsolescence and updating installed bases, to reduce downtimes and improve performance

With our maintenance and modernization consultancy offer, Schneider Electric will help you check the state of your installed base by:

- Defining the scope and depth of the analysis in collaboration with you
- Collecting the technical data without shutting down production
- Analyzing and identifying avenues for improvement
- Producing a recommendation plan

Customer benefits:

- Learning about the components that make up the installed base and how up-to-date they are
- Better downtime anticipation
- Expert advice designed to improve performance

Modernization solutions

Migration to EcoStruxure

Proven expertise, tools and methods to give you a clear vision of the improvement opportunities and guide you toward a successful modernization project



To find out more about EcoStruxure architectures, please visit our website www.schneider-electric.com/EcoStruxure

Schneider Electric offers gradual solutions of modernization through a set of products, tools and services that allow you to upgrade your installations with our last technologies. Our solutions offer you the choice to plan your modernization:

- Partial modernization: replacement of an old set of components with a new one
- Step by Step modernization: gradual incorporation of new Solutions or Offers in the system
- Complete modernization: total renovation of the system

The table below lists our various migration offers:

Wide range of migration offers		Moving to M580/M340/X80 platform						
Solution		Solution Type			Tools	Solution Services		
		Change the CPU and retain the I/O racks & wiring	Change the CPU & the I/O racks & retain I/O field wiring with wiring system	Change the CPU & the I/O racks & the I/O wiring	SoftWare application conversion tool	Modernization / migration service	Manage your project	Execute your project
Platform	Premium	☑	☑	☑	☑	☑	☑	☑
	TSX47 to TSX107		☑	☑	☑	☑	☑	☑
	Quantum	☑		☑	☑	☑	☑	☑
	Modicon 984 & 800 Series I/O	☑	☑	☑	☑	☑	☑	☑
	Modicon Compact		☑	☑	☑	☑	☑	☑
	Symax	☑	(1)	☑	☑	☑	☑	☑
	April series 1000		(2)	☑	☑	☑	☑	☑
	April SMC			☑	☑	☑	☑	☑
	Merlin Gerin PB			☑		☑	☑	☑
	AEG		(1)	☑		☑	☑	☑
	Rockwell SLC500		☑	☑	☑	☑	☑	☑
	Rockwell PLC 5	☑	(1)	☑	☑	☑	☑	☑

☑ Service available

(1) Consult Schneider services - project specific solution is possible
 (2) For April series 1000 (April 5000-7000 also the April 2000-3000)
 Consult Schneider services - project specific solution is possible

Customization services

Schneider Electric is able to meet your specific requirements and provide you with adapted products:

- Protective coating for Human Machine Interfaces, automation platforms and distributed I/O modules for use in harsh environments
- Customized cable lengths to match your specific needs
- Customized front panels for Human Machine Interfaces

Note: To check availability of services required, please contact our Customer Care Centre.

Technical appendices

- Ethernet network infrastructure page 7/2

Index

- Product reference index..... page 7/8

Presentation

The ConneXium Industrial Ethernet offer comprises a complete family of products and tools (including the ConneXium Network Manager (CNM) software tool) required to build the infrastructure of an Industrial Ethernet network. The following pages provide information on network design and component selection.

Office Ethernet versus Industrial Ethernet

There are three main areas of differentiation between Ethernet applications in an office environment and those in an industrial environment:

- Environment
- Layout (not physical layer specification)
- Performance

Contrary to the office environment and even though ISO/IEC is working on it, as yet there are no clearly defined specifications for Ethernet devices intended for industrial applications. The specifications of what it is called Industrial Ethernet are defined by different agencies or entities based upon its nature and what the automation market has traditionally used.

The environmental specifications of Industrial Ethernet devices are defined by the traditional agencies that define the environmental specifications for standard industrial devices (UL, CSA, CE, etc.).

IEEE 802.3 defines the physical layer specifications of the Ethernet network (types of connector, distance between devices, number of devices, etc.) while standard 11801 (similar to TIA/EIA 568B and CENELEC EN 50173) provides layout guidelines for installers.

The performance specifications are currently being drawn up by ISO/IEC.

Ethernet 802.3 principles

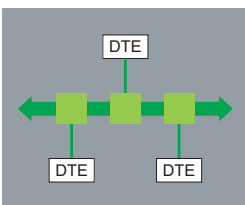
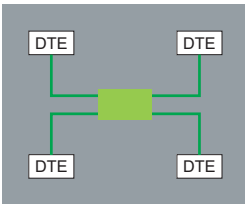
The Ethernet 802.3 Link Layer is based on a collision detection mechanism (CSMA CD) whereby every node whose information has collided on the network detects the collision and re-sends the information.

The process of re-sending information causes delays in its propagation and could affect the application.

A collision domain is a group of Ethernet end devices interconnected by hubs or repeaters (devices that receive information and send it out to all their other ports, no matter where the destination device is connected). This means that all devices will be affected by collisions.

With full duplex switches (devices that receive information and only send it out through the port to which the destination device is connected), there are no collision domains.

Therefore, for industrial automation applications it is highly advisable to use full duplex switches to interconnect devices. This will help eliminate collision domains.



Different network topologies

Star topology

In a star topology, all devices and Data Terminal Equipment (DTE) are connected through an intermediate device.

Ethernet star

In an Ethernet star the intermediate device may be a **switch**. The star is the most commonly used topology in corporate networks and is currently adopted in almost every automation application. As mentioned previously, for industrial Ethernet applications the use of full duplex switches as the central device rather than hubs is highly recommended.

Deploying star topologies with ConneXium

Star topologies can be implemented with any of the switches in the ConneXium offer.

Bus topology

The bus is one of the most common topologies in traditional industrial automation networks. A single trunk cable connects all devices on the network usually via passive or active T-connectors, or directly chained (daisy chain). Devices can usually be installed anywhere along the bus.

Ethernet bus

An Ethernet bus can be deployed by interconnecting **switches** in line and considering every one of them as the connection for a drop device. An unlimited number of switches can be interconnected to achieve this purpose.

Deploying bus topologies with ConneXium

Bus topologies can be implemented with any of the switches in the ConneXium offer. Switches with 1 or 2 fiber optic ports are particularly suitable for this purpose:

- Switches with 2 fiber optic ports can be used to connect in-line devices.
- Switches with 1 fiber optic port can be used to connect end-of-line devices.

Daisy chain topology

Daisy chain - along the bus - is the other most common topology in traditional industrial automation networks. Cable segments interconnect multiple devices, being the devices "part" of the network cable.

Ethernet daisy chain

Daisy chain is currently not a particularly common Ethernet topology, but it is likely to rise in popularity as more devices become available.

Ethernet daisy chain devices have:

- **2 Ethernet ports** and
- **1 embedded switch.**

Schneider Electric is launching Industrial Ethernet devices on the industrial market for connection in daisy chain architectures.

Deploying daisy chain topologies

No switches are required for daisy chain topologies. All devices have an embedded switch.

Dual port Ethernet at device level is an absolute integral component for daisy chain topologies.

One port on the device connects to one port on each of the two neighboring devices. These neighboring connections make up the daisy chain.

Ethernet switches can be employed in a daisy chain topology when multiple scan chains are in use by the controlling device. It is expected that the Ethernet switch will be located near the controlling device with the different scan chains emanating from the switch.

Different network topologies (continued)

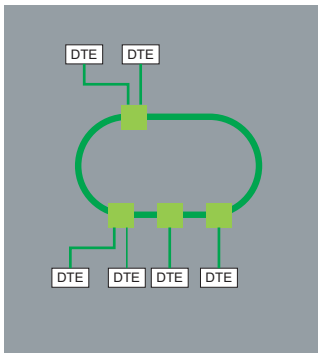
Daisy chain topology (continued)

Limitations of the daisy chain:

Limitations of the daisy chain topology in terms of operational integrity of the network and performance metrics are as follows:

- Dual port Ethernet devices only support 10 Mbps and/or 100 Mbps operational speeds and must use one or the other.
- The network will operate only as fast as the slowest device that is connected to the network.
- In order to improve network traffic latency, the number of devices in a single scan chain is limited to 32 devices. This means that the time for a round trip of a packet through the daisy chain is likely to be less than 5 milliseconds.

The maximum latency of a packet passing through any device in a scan chain is no more than 10 μ s.



Ring topology

In a ring topology, all devices or network infrastructure components are connected in a loop. Through this type of topology, a type of network redundancy is achieved.

Ring topologies also help improve the availability of the network and its communication to devices.

Ethernet ring

Ethernet rings are usually the backbones of applications in which high availability is required. If ring topology is required then switches that support this feature should be ordered.

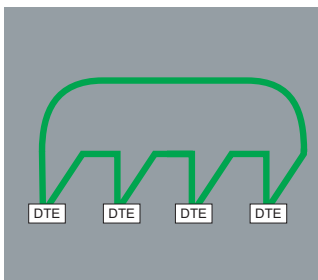
Deploying ring topologies using ConneXium

ConneXium offers switches that allow the deployment of single and coupled self-healing rings (see page 2/13 for more information).

Daisy chain loop

A daisy chain loop consists of several daisy chain devices that are placed in a ring topology.

When an Ethernet network forms a loop, all the devices in that loop must use the same protocol (RSTP, MRP, or HIPER-Ring).



Distance limitations and number of devices per segment

Based on standard 802.3, the distance limits and number of devices in cascade are as follows:

Type	Maximum segment length (1)	Maximum segment length (offered by ConneXium devices)	Maximum number of hubs in cascade	Maximum number of switches in cascade
10BASE-T	100 m/328.08 ft	100 m/328.08 ft	4	Unlimited
100BASE-TX	100 m/328.08 ft	100 m/328.08 ft	2	Unlimited
1000BASE-T	100 m/328.08 ft	100 m/328.08 ft	–	Unlimited
10BASE-FL	2,000 m/6,561.66 ft	3,100 m/10,170.57 ft (2)	11 (fiber ring)	–
100BASE-FX	412 m/1,351.70 ft 2,000 m/6,561.66 ft	4,000 m/13,123.32 ft with multimode fiber, 32,500 m/106,627 ft with singlemode fiber (3)	–	Unlimited
1000BASE-SX	275 m/902.23 ft	–	–	Unlimited

(1) Based on 802.3, full duplex/half duplex.

(2) Depends on the optical fiber budget and fiber attenuation.

(3) Depends on the optical fiber budget and fiber attenuation, typical specification is 2,000 m/6,561.66 ft for multimode and 15,000 m/49,212.45 ft for singlemode.

Physical media

The Ethernet 802.3 standard defines the Physical Layer. A summary of the most common media is given below:

Type	Data rate	Cable type		Connector type	
		Defined by 802.3	Recommended by Schneider Electric	Defined by 802.3	Recommended by Schneider Electric
10BASE-T	10 Mbps	CAT 3 - UTP	CAT 5E - STP	RJ45	RJ45
100BASE-TX	100 Mbps	CAT 5 - UTP	CAT 5E - STP	RJ45	RJ45
1000BASE-T	1 Gbps	CAT 5 - UTP	CAT 5E - STP	RJ45	RJ45
10BASE-FL	10 Mbps	Two multimode optical fiber cables typically 62.5/125 µm fiber, 850 nm light wavelength	Two multimode optical fiber cables typically 62.5/125 µm fiber, 850 nm light wavelength	ST	ST
100BASE-FX	100 Mbps	Two multimode optical fibers typically 62.5/125 µm multimode fiber, 1,300 nm light wavelength	Two multimode optical fibers typically 62.5/125 µm multimode fiber, 1,300 nm light wavelength	ST	SC
		–	Two monomode optical fibers typically 9/125 µm multimode fiber, 1,300 nm light wavelength	–	SC
1000BASE-SX	1 Gbps	Two 62.5/125 or 50/125 multimode optical fibers, 770 to 860 nm light wavelength	Two 62.5/125 µm or 50/125 m multimode optical fibers, 1,300 nm light wavelength	SC	LC
1000BASE-LX	1 Gbps	–	Two 9/125 µm singlemode optical fibers, 1,300 nm light wavelength	–	LC

Note: These specifications are defined by IEEE 802.3. However, some of the cables are no longer being developed. For instance, for 10BASE-T and 100BASE-TX, a CAT-5E cable is used.

Management

Ethernet devices in general (end-of-line devices and cabling devices) can be divided into two categories: unmanaged and managed devices.

- **Unmanaged** devices are those devices for which there is no option to configure or control any of the device parameters.
- **Managed** devices are those devices whose parameters can be configured or controlled (managed) and their internal data can be accessed.

The ConneXium product line offers both types of device.

There is also a third, unspecified category of device, which is normally classed as a managed device. However, there is one major difference: although this device allows access to its internal data, it cannot be controlled and/or configured.

Managed devices

Managed devices offer the following features:

- **Traffic optimization and filtering** - The aim is to increase the bandwidth, or the traffic capacity in a network (some of the features in this area are message and port priority, flow control, multicast filtering, broadcast limiting, IGMP snooping, Vlan, etc.).
- **VLAN** - A virtual LAN (VLAN) consists of a group of network participants in one or more network segments who can communicate with each other as if they belonged to the same LAN.

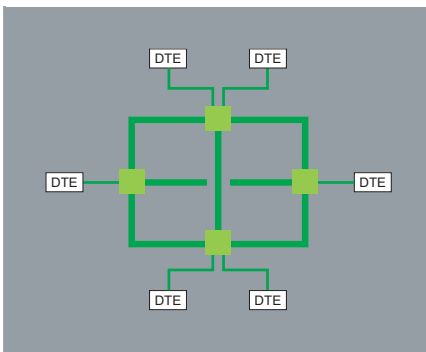
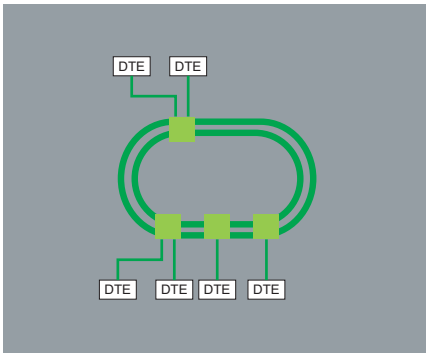
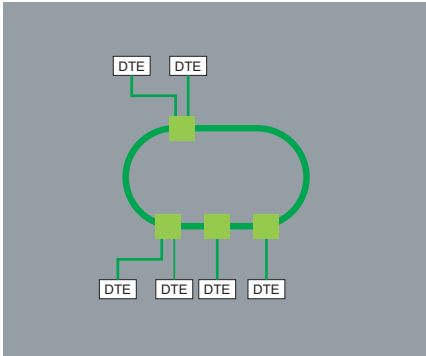
VLANs are based on logical (instead of physical) links. The biggest advantage of VLANs is their possibility of forming user groups based on the participant function and not on their physical location or medium.

Since broad/multicast data packets are transmitted exclusively within a virtual LAN, the remaining data network is unaffected. VLAN can also serve as a security mechanism to block unwanted Unicast messages.

- **Security** - This feature helps the user protect the switch from unauthorized access that could result in changes in its configuration and impact the traffic going through the switch (some of the features in this area are port security, read/write community name, etc.).

Users can also set up the switch so that it blocks messages coming from unauthorized "device" source addresses connected to the switch.

- **Time synchronization** - This feature allows all devices in a network to be synchronized according to the time.
- **Network redundancy** - This helps to develop high availability applications.
- **Dual ring switch (DRS)** - These switches are provided with predefined settings to optimize communication performance and help save time in Ethernet RIO architectures with Modicon Quantum and Modicon M580 automation platforms. DRS switches are mandatory to build Ethernet RIO architectures in which sub-rings have to be connected to the main Ethernet ring.



Redundancy

To develop high availability applications, “redundancy” in the networking infrastructure is the answer. Developers can help avoid losing network segments by implementing a single ring or a coupled ring architecture.

Single ring

The first level of redundancy is achieved by implementing a single ring. ConneXium switches allow the set up of backbone ring configurations.

ConneXium switches support three redundancy protocols: HIPER-Ring, MRP, and RSTP.

The ring is constructed using HIPER-Ring ports. If an error is detected in one section of the line, a ring structure of up to 50 switches transforms back to a line-type configuration within 0.5 seconds.

With a Modicon Quantum or a Modicon M580 Ethernet RIO architecture, the recovery loop can be optimized to less than 50 ms thanks to the RSTP protocol implemented in the different devices.

Dual ring

The second level of redundancy is achieved by implementing a dual ring. The control intelligence built into ConneXium switches allows the redundant coupling of HIPER-Rings and network segments.

As for a single ring, the recovery time can be optimized to less than 50 ms for 16 switches or 32 RIO drop adapters thanks to the RSTP protocol.

Mesh topology using the rapid “Spanning Tree” protocol

A third level of redundancy can be achieved by implementing a mesh topology. In simple terms, “Spanning Tree” is a protocol that provides a single path for the signal, when multiple paths exist. If the active path is broken, the “Spanning Tree” protocol enables one of the alternative paths.

ConneXium switches offer this possibility.

Security

ConneXium firewalls help improve security for industrial networks while meeting the needs for cybersecurity.

Firewall rules can be defined to control access levels at the host, protocol, and port levels.

Further rules can be defined for other purposes, such as protecting access to Modbus/TCP function codes and register levels, or EtherNet/IP CIP objects and service codes.

ConneXium firewalls can also offer layer 3 routing, network address translation (NAT), and virtual private networks (VPN) for advanced security zoning of critical industrial networks.

#	
170DNT11000	3/33
490NAC0100	1/31 2/22
490NAC0201	1/31 2/22
490NAD91103	3/33
490NAD91104	3/33
490NAD91105	3/33
490NOR00003	2/17
490NOR00005	2/17

B	
BMECRA31210	2/11 2/16
BMECRA31210C	4/5
BMEH582040	1/31 2/22
BMEH582040C	4/3
BMEH582040K	1/31 2/23
BMEH584040	1/31 2/22
BMEH584040C	4/3
BMEH584040K	1/31 2/23
BMEH586040	1/31 2/22
BMEH586040C	4/3
BMEH584040K	1/31 2/23
BMEH586040	1/31 2/22
BMEH586040C	4/3
BMENOC0301	2/16 3/25
BMENOC0311	2/16 3/25
BMENOC0321	2/16 3/25
BMENOP0300	3/29
BMENOS0300	2/16 2/22
BMEP58CPROS3	1/43
BMEP581020	1/30 2/17 2/19
BMEP581020H	4/3
BMEP582020	1/30 2/17 2/19
BMEP582020H	4/3
BMEP582040	1/30 2/17 2/19
BMEP582040H	4/3
BMEP583020	1/30 2/17 2/19
BMEP583040	1/30 2/17 2/19
BMEP584020	1/30 2/17 2/19
BMEP584040	1/30 2/17 2/19
BMEP584040S	1/43
BMEP585040	1/30 2/19
BMEP585040C	4/3

BMEP586040	1/30 2/19
BMEP586040C	4/3
BMEXBP0400	1/34 1/38
BMEXBP0400H	4/4
BMEXBP0602	1/34 1/38 2/22
BMEXBP0602H	4/4
BMEXBP0800	1/34 1/38
BMEXBP0800H	4/4
BMEXBP1002	1/34 1/38 2/22
BMEXBP1002H	4/4
BMEXBP1200	1/34 1/38
BMEXBP1200H	4/4
BMXCPS4002	2/22
BMXCPS4002H	2/22
BMXCRA31200	2/16
BMXCRA31210	2/16
BMXGEL0025	4/4
BMXNRP0200	2/16
BMXNRP0201	2/16
BMXRMS004GPF	1/30 4/3
BMXXBC008K	1/39 2/18 4/5
BMXXBC015K	1/39 2/18 4/5
BMXXBC030K	1/39 2/18 4/5
BMXXBC050K	1/39 2/18 4/5
BMXXBC120K	1/39 2/18 4/5
BMXXBE1000	1/38 2/17
BMXXBE1000H	4/4
BMXXBE2005	1/38 2/17
BMXXBP0400	1/38
BMXXBP0400H	4/4
BMXXBP0600	1/38
BMXXBP0600H	4/4
BMXXBP0800	1/38
BMXXBP0800H	4/4
BMXXBP1200	1/38
BMXXBP1200H	4/4
BMXXCAUSBH018	1/30 4/3
BMXXCAUSBH045	1/30 4/3
BMXXEM010	1/34 4/4
BMXXSP0400	1/34 4/4
BMXXSP0600	1/34 4/4

BMXXSP0800	1/34 4/4
BMXXSP1200	1/34 4/4
S	
STBACI0320K	2/33
STBACI1225K	2/33
STBACI1230K	2/33
STBACI1400K	2/33
STBACI8320K	2/33
STBACO0120	2/33
STBACO0220K	2/33
STBACO1210K	2/33
STBACO1225K	2/33
STBACO8220K	2/33
STBART0200K	2/33
STBAVI0300K	2/33
STBAVI1255K	2/33
STBAVI1270K	2/33
STBAVI1275K	2/33
STBAVI1400K	2/33
STBAVO0200K	2/33
STBAVO1250K	2/33
STBAVO1255K	2/33
STBAVO1265K	2/33
STBCPS2111K	2/33
STBDIAI5230K	2/33
STBDIAI5260K	2/33
STBDIAI7220K	2/33
STBDAO5260K	2/33
STBDAO8210K	2/33
STBDDI3230K	2/33
STBDDI3420K	2/33
STBDDI3425K	2/33
STBDDI3610K	2/33
STBDDI3615K	2/33
STBDDI3725	2/33
STBDDI3725KC	2/33
STBDDI3725KS	2/33
STBDDO3200K	2/33
STBDDO3230K	2/33
STBDDO3410K	2/33
STBDDO3415K	2/33
STBDDO3600K	2/33
STBDDO3605K	2/33
STBDDO3705	2/33
STBDDO3705KC	2/33
STBDDO3705KS	2/33
STBDRA3290K	2/33
STBDR3210K	2/33
STBEHC3020KC	2/33
STBEPI2145K	2/33
STBNCO2212	2/33
STBNDN2212	2/33
STBNDP2212	3/33
STBNFP2212	2/33
STBNIB2212	2/33
STBNIC2212	2/33
STBNIP2212	2/33
STBNIP2311	2/33

STBNMP2212	2/33
STBPDT2100K	2/33
STBPDT2105K	2/33
STBPDT3100K	2/33
STBPDT3105K	2/33
STBXBE1100K	2/33
STBXBE1300K	2/33
STBXBE2100K	2/33
STBXSP3010	1/34 4/4
STBXSP3020	1/34 4/4
T	
TCSECN3M3M1S4	2/16
TCSECN3M3M1S4U	2/16
TCSEGDB23F24FA	3/31
TCSEGDB23F24FK	3/31
TCSEGPA23F14F	3/33
TCSEGPA23F14FK	3/33 4/5
TCSESM063F2CS1	2/16
TCSESM063F2CU1	2/16
TCSESM083F23F1	2/16
TCSMCN3M4M3S2	4/5
TCSXCN3M4F3S4	4/5
TSXCBY010K	1/39 2/18 4/5
TSXCBY030K	1/39 2/18 4/5
TSXCBY050K	1/39 2/18 4/5
TSXCBY120K	1/39 2/18 4/5
TSXCBY180K	1/39 2/18 4/5
TSXCBY280KT	1/39 2/18 4/5
TSXCBY1000	1/39 2/18 4/5
TSXCBYACC10	1/39 2/18 4/5
TSXCBYK9	1/39 2/18 4/5
TSXPBSCA100	3/33
TSXPBSCA400	3/33
TSXTLYEX	1/39 2/18 4/5

PlantStruxure



Schneider Electric Industries SAS

Head Office
35, rue Joseph Monier
F-92500 Rueil-Malmaison
France

www.schneider-electric.com/psx

The information provided in this documentation contains general descriptions and/or technical characteristics of the performance of the products contained herein. This documentation is not intended as a substitute for and is not to be used for determining suitability or reliability of these products for specific user applications. It is the duty of any such user or integrator to perform the appropriate and complete risk analysis, evaluation and testing of the products with respect to the relevant specific application or use thereof. Neither Schneider Electric nor any of its affiliates or subsidiaries shall be responsible or liable for misuse of the information contained herein.

Design: Schneider Electric
Photos: Schneider Electric